



**INSTALLATION INSTRUCTIONS
LED CANOPY LIGHT, 100-277VAC**

READ THOROUGHLY BEFORE INSTALLATION

FSC Lighting is committed to creating high-quality, affordable, well-designed and energy-efficient LED lighting and controls that make it easy for electricians to install and end users to save energy.

Warning:

In order to avoid the accidents which threaten the personal safety like fixture damages, electric shock and fire, please carry out the installation and application strictly following the instruction book. Do not transform or change parts on your own.

Model Number Parameter List:

Item	Model	Input Voltage	Watt	Input Current	Weight
1	WM-3L-AOK	120-277VAC	26W	0.3A	kg

Warning:

To avoid the risk of fire, explosion, or electric shock, this product should be installed, inspected, and maintained by a qualified electrician only, in accordance with all applicable electrical codes.

To avoid electric shock:

- Be certain electrical power is OFF before and during installation and maintenance.
- Luminaire must be connected to a wiring system with an equipment-grounding conductor.

To avoid explosion:

- Make sure the supply voltage is the same as the rated luminaire voltage.
- Do not install where the marked operating temperatures exceed the ignition temperature of the hazardous atmosphere.
- Do not operate in ambient temperatures above those indicated on the luminaire nameplate.

INSTALLATION INSTRUCTIONS

FSC Lighting is committed to creating high-quality, affordable, well-designed and energy-efficient LED lighting and controls that make it easy for electricians to install and end users to save energy.

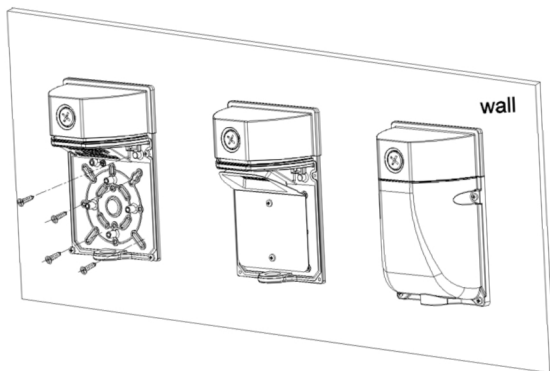
Introduction

- This LED Wall-Packs light uses the latest in solid state lighting technology for long life, low maintenance, and high efficiency.
- The same as traditional HID lighting, it could be mounted a standard photocell on the enclosure, to make it completely suitable for street lighting.
- An internal power-factor-corrected switch-mode supply allows it to be used from any nominal 100V-277V, 60Hz AC supply without any variation in light output.
- Suitable for use in the following locations:
 - Ambient Temp: -40~+40°C
 - Wet Locations

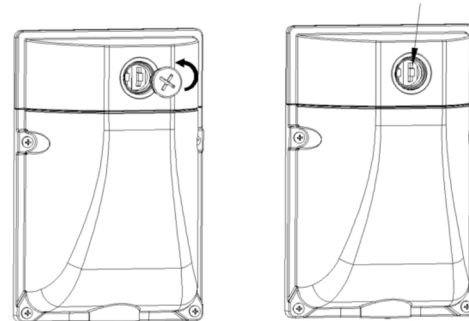
For supply connections, use wire rated for at least 80°C

Installation Steps:

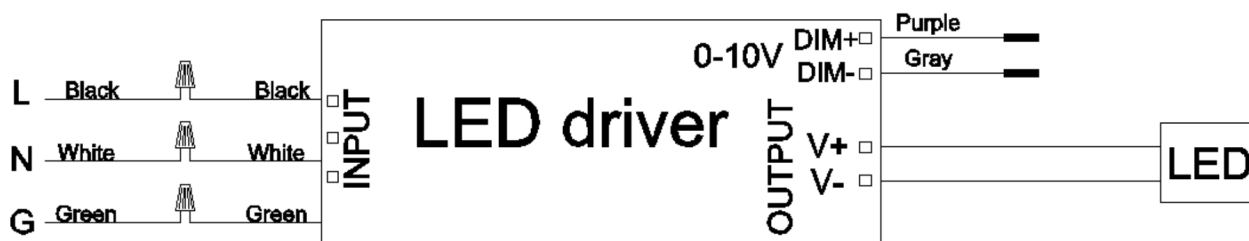
1. WALL MOUNT



2. ADJUSTABLE WATTAGE & CCT



3. WIRING DIRAGRAM



AFTER INSTALLATION:

- Check whether the lighting fixture is firmly fixed.
- Check whether wires are connected correctly.

At last, turn on the power, and check if the lighting fixture works well. If not, please turn off the power and contact with local dealer.

Warning: the luminaire shall be installed by qualified electrician.