

Date:	Project:	Type:	Notes:	Catalog #:
-------	----------	-------	--------	------------

AL-AOK SERIES- Adjustable Output and Kelvin LED Area Light

Rev: 12-2022

The AL-AOK has the classic shape of an HID area light with a thin profile and high-performance LEDs that provides an energy-efficient alternative to traditional HID area lights.



Applications

Ideal in large outdoor areas such as roadways, walkways, parking lots, building exteriors & loading docks.

Optics

Available in IES Type III, IV, V distributions. Light engines are field adjustable in 30K, 40K and 50K.

Construction

Housing made from die-cast aluminum. UV stabilized polycarbonate lens.

Mounting

Square-round pole adaptor, slip-fitter, and trunnion mounting options available.

Electrical

Utilizes high-efficiency LED power supply and circuit boards. 120-277V & 0-10V dimming standard. 480V option available. 50/60HZ input frequency. 10KV Surge Protection.

Operating Temperature

Suitable for -40°C – 40°C Ambient

CRI

70+

Finish

Standard in dark bronze. Black and white available on special request.

Lumen Maintenance

L70 rating of 122,000 hours

Warranty

Five-year warranty. Terms and Conditions Apply. See warranty documentation for more information.

Certification

UL Wet Listed. Adheres to LM79, LM80 and TM21 industry standards. DesignLights Consortium® (DLC) 5.1 Premium listed!. IP65 Rated & IK08 rated.

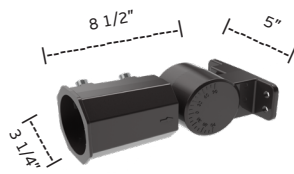


Catalog Ordering

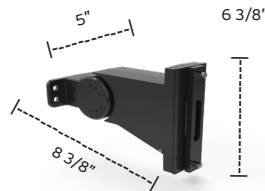
Sample Part #AL-L-45L-AOK-T3-SF

Series	Size & Lumens	Type	Distribution	Mounting	Finish	Electrical	Controls	Options
AL								
AL	S-19L (Small / 97W-130W-150W) M-26L (Medium / 150W-170W-200W) L-45L (Large / 250W-300W-350W)	AOK (Adjustable Output and Kelvin Temp 30K, 40K & 50K)	T3 (Type III) T4 (Type IV) T5 (Type V)	SF (Slip-fitter) TR (Trunnion) PM (Square/Round Pole)	Blank (Standard Dark Bronze) B (Black) ¹ W (White) ¹	BLANK (120/ 277V) 480 (480V)	PC (3 Pin Photocell Sensor AC100-277V) 480-PC (3 Pin Photocell Sensor AC277-480V)	SC (3 Pin Shorting Cap 0-480V) 20KV (Lightning Arrester-AC277-480V, 20KV) BSS (Back- Side Shield) FSS (Front-Side Shield) FGS (Full Glare Shield)

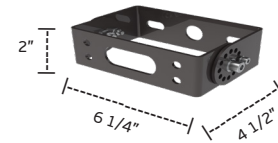
Mounting Options & Accessories



SF- Slip-Fitter Mount



PM- Square/ Round Pole Mount



TR- Trunnion Mount



Front-Side Shield



Back-Side Shield



Full Glare Shield

Distribution



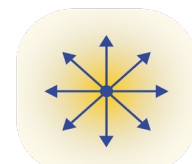
Type 3

Type III distribution is commonly known as a “bat-wing”. This distribution type is used to provide a larger area of lighting from a position along the perimeter of where lighting is required.



Type 4

Type IV has a lateral width of 60 degrees and is known as a “forward throw” distribution. It is the distribution type to choose if you are looking to illuminate sides of building façades, walls or parking areas.



Type 5

Type V distributes a circular pattern (there is also a Type VS that produces a square distribution with a more defined angle). Having the same distribution at all lateral angles, it is perfect for general area lighting—the ideal choice if you are looking to do parking lots or intersections.

Performance Data

FSC Part #	Form Factor	Rated Wattage	Distribution Type	3000K (70 CRI)		4000K (70 CRI)		5000K (70CRI)		Replaces				
				Delivered Lumens	Efficacy	Delivered Lumens	Efficacy	Delivered Lumens	Efficacy					
AL-S-19L-AOK	Small	97	III	14296	143	15564	162	15312	153	175W Metal Halide				
		97	IV	14377	144	15456	162	15099	152					
		97	V	14351	144	15589	162	15285	152					
		AL-S-19L-AOK	Small	130	III	17698	134	19693	155	19098	143	250W Metal Halide		
				130	IV	17816	134	19537	155	18821	142			
				130	V	17558	134	19609	155	19047	142			
				AL-S-19L-AOK	Small	150	III	19855	130	21934	153	20968	138	400W High Pressure Sodium
						150	IV	19899	131	21633	151	20559	138	
						150	V	19786	130	21870	153	20869	137	
AL-M-26L-AOK	Medium	150	III	23773	140	26825	168	25035	147	400W High Pressure Sodium				
		150	IV	23602	141	26712	169	25071	149					
		150	V	24630	145	27643	173	25773	151					
		AL-M-26L-AOK	Medium	170	III	24702	137	28317	165	26214	144	400W Metal Halide		
				170	IV	25174	140	28311	168	26434	147			
				170	V	25737	141	29205	170	26975	148			
		AL-M-26L-AOK	Medium	200	III	27025	133	30622	162	27885	139	575W Pulse Start Metal Halide		
				200	IV	26838	132	30687	162	28509	141			
				200	V	27519	136	31358	167	28568	142			
AL-L-45L-AOK	Large	250	III	36875	150	40560	174	38850	158	750W Metal Halide				
		250	IV	36484	150	39977	171	37880	157					
		250	V	37102	151	40975	176	39129	159					
		AL-L-45L-AOK	Large	300	III	40910	143	46335	170	43524	150	1000W Metal Halide		
				300	IV	40570	142	45350	169	42317	149			
				300	V	41513	144	41759	145	46416	171			
		AL-L-45L-AOK	Large	350	III	46513	134	52314	163	48530	141	1000W Metal Halide		
				350	IV	44350	130	50416	156	48087	140			
				350	V	47420	137	53414	165	49901	143			

Electrical Data

Drivers: 120-277V

AL (Small)

97W: 120V: 0.81A, 277V: 0.36A

130W: 120V: 1.12A, 277V: 0.48A

150W: 120V: 1.30A, 277V: 0.56A

AL (Medium)

150W: 120V: 1.38A, 277V: 0.61A

170W: 120V: 1.48A, 277V: 0.64A

200W: 120V: 1.72A, 277V: 0.74A

AL (Large)

250W: 120V: 2.10A, 277V: 0.90A

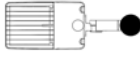
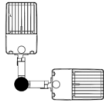
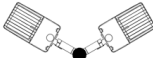

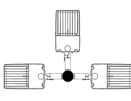
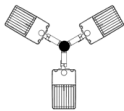
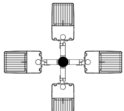
300W: 120V: 2.43A, 277V: 1.05A

350W: 120V: 2.90A, 277V: 1.25A

Bug Rating

FSC Part #	System Watts	Voltage	Distribution Type	3000K			4000K			5000K		
				B	U	G	B	U	G	B	U	G
AL-S-19L-AOK	97	120-277	III	3	0	3	3	0	3	3	0	3
			IV	3	0	3	3	0	3	3	0	3
			V	3	0	2	3	0	2	3	0	2
	130		III	3	0	3	3	0	3	3	0	3
			IV	3	0	3	3	0	3	3	0	3
			V	3	0	2	4	0	2	3	0	2
	150		III	3	0	3	3	0	3	3	0	3
			IV	3	0	3	3	0	3	3	0	3
			V	4	0	2	4	0	2	4	0	2
AL-M-26L-AOK	150	120-277	III	3	0	3	4	0	3	4	0	3
			IV	3	0	3	4	0	3	3	0	3
			V	4	0	2	4	0	2	4	0	2
	170		III	4	0	3	4	0	3	4	0	3
			IV	3	0	3	4	0	3	4	0	3
			V	4	0	2	4	0	2	4	0	2
	200		III	4	0	3	4	0	3	4	0	3
			IV	4	0	3	4	0	3	4	0	3
			V	4	0	2	4	0	2	4	0	2
AL-L-45L-AOK	250	120-277	III	4	0	4	4	0	4	4	0	4
			IV	4	0	3	4	0	4	4	0	4
			V	5	0	2	5	0	2	5	0	2
	300		III	4	0	4	5	0	4	4	0	4
			IV	4	0	4	5	0	4	4	0	4
			V	5	0	2	5	0	2	5	0	2
	350		III	5	0	4	5	0	4	5	0	4
			IV	4	0	4	5	0	4	5	0	4
			V	5	0	2	5	0	2	5	0	2

EPA

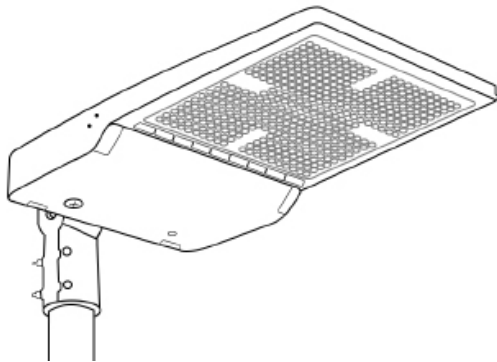
							
Model	Arm Mount Single	Arm Mount Single 2@90°	Arm Mount Single 2@120°	Arm Mount Single 2@180°	Arm Mount Single 3@90°	Arm Mount Single 3@120°	Arm Mount Single 4@90°
AL-M-26L-AOK-200W	0.4	0.6	0.9	0.8	1.0	1.1	1.0
AL-L-45L-AOK-350W	0.5	0.7	1.1	1.0	1.2	1.3	1.2

Physical Characteristics

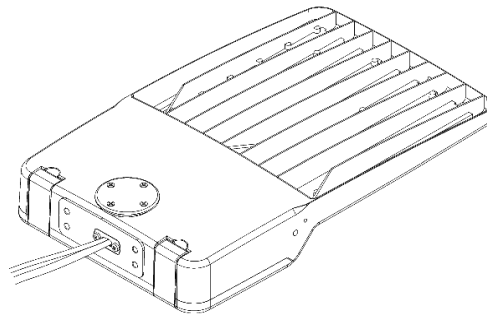
Dimensions

Version	Length	Width	Height	Weight
Small (97W-130W-150W)	18.50"	11.12"	3.12"	11.5lbs
Medium (150W-170W-200W)	18.50"	11.12"	3.12"	11.5lbs
Large (250W-300W-350W)	23.25"	14.00"	3.12"	18lbs
TR- Trunnion	6.25"	4.00"	2.00"	
SF- Slip-Fitter	8.50"	5.00"	3.25"	
PM- Pole Arm	5.00"	5.00"	6.38"	

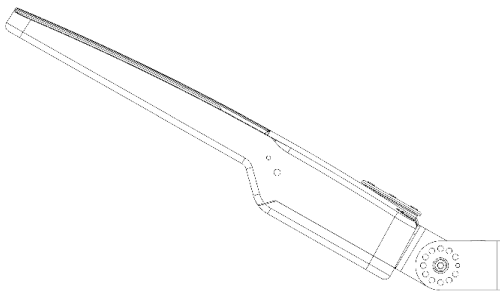
Front View



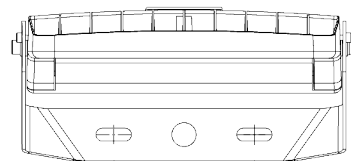
Top View



Side View



Back View



Notes

1 Special order. MOQ 100 pieces. Contact factory for lead time.