



**INSTALLATION INSTRUCTIONS  
LED AREA LIGHT, 120-277VAC&277V-480VAC**

READ THOROUGHLY BEFORE INSTALLATION

FSC Lighting is committed to creating high-quality, affordable, well-designed and energy-efficient LED lighting and controls that make it easy for electricians to install and end users to save energy.

**Warning:**

In order to avoid the accidents which threaten the personal safety like fixture damages, electric shock and fire, please carry out the installation and application strictly following the instruction book. Do not transform or change parts on your own.

**Model Number Parameter List:**

Item	Model	Input Voltage	Max Watt	Input Current	Weight
1	AL-S-19L-AOK	120-277VAC	150W	1.62A	/kg
2	AL-M-26L-AOK	120-277VAC	200W	1.25A	/kg
3	AL-L-45L-AOK	120-277VAC	350W	3.3A	/kg

## INSTALLATION INSTRUCTIONS

FSC Lighting is committed to creating high-quality, affordable, well-designed and energy-efficient LED lighting and controls that make it easy for electricians to install and end users to save energy.

### Warning:

To avoid the risk of fire, explosion, or electric shock, this product should be installed, inspected, and maintained by a qualified electrician only, in accordance with all applicable electrical codes.

To avoid electric shock:

- Be certain electrical power is OFF before and during installation and maintenance.
- Luminaire must be connected to a wiring system with an equipment-grounding conductor.

To avoid explosion:

- Make sure the supply voltage is the same as the rated luminaire voltage.
- Do not install where the marked operating temperatures exceed the ignition temperature of the hazardous atmosphere.
- Do not operate in ambient temperatures above those indicated on the luminaire nameplate.
- Keep lens tightly closed when in operation.

### Introduction

- An internal power-factor-corrected switch-mode supply allows it to be used from any nominal 120- 2770V, 277V-480V, 50~60Hz AC supply without any variation in light output.
- Suitable for use in the following locations:
  - Wet Locations

Note: Save these instructions for future reference.

**For supply connections use wire rated for at Least 75°C**

### Installation Step:

#### YOKE MOUNT

1. Assemble bracket to Fixture as shown in Fig. 1.
2. Use expansion bolts to secure the fixture on mounting surface, Refer to hole bitmap Fig. 2
3. Adjust the Angle you want by using the screws at A on both sides, as shown in Fig. 3
4. Keep enough length wires to ensure adjusting angle unhindered. refer to the wiring layout Fig. 16, (black to line, white to neutral, and yellow/green to ground), as shown in Fig. 4

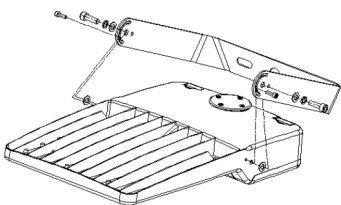


Fig. 1

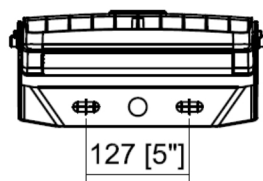


Fig. 2

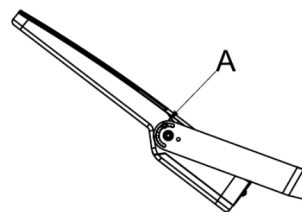


Fig. 3

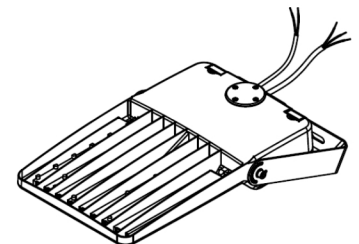


Fig. 4

## INSTALLATION INSTRUCTIONS

### TRUNNION MOUNT

1. Assemble U bracket to Fixture, as shown in Fig. 5.
2. Use expansion bolts to secure the fixture on mounting surface, Refer to hole bitmap Fig. 6.
3. Adjust the Angle you want by using the screws at Bon both sides as shown in Fig. 7.
4. Keep enough length wires to ensure adjusting angle unhindered. Refer to the wiring layout fig 16, (black to line, white to neutral, and yellow/green to ground), as shown in Fig. 8.

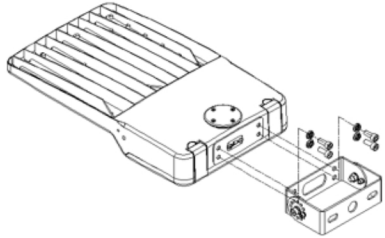


Fig. 5

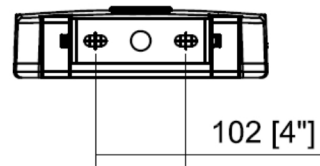


Fig. 6

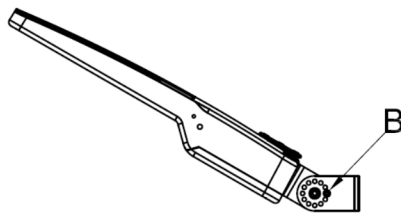


Fig. 7

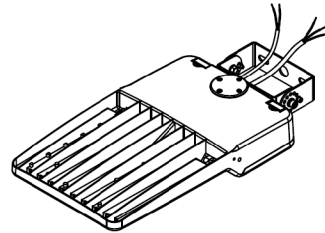


Fig. 8

### SLIPFITTER MOUNT

1. Assemble Slipfitter to Fixture, as shown in Fig. 9.
2. Feed wires from fixture through slipfitter and supply wires from pole. Make the necessary connections in the slipfitter and knot wires for strain relief.
3. Place the slipfitter over the tenon and secure the fixture with set screws at Con the side slipfitter, as shown in Fig. 10.
4. To adjust the angle of the slipfitter, loosen the locking bolt and swivel fixture to desired angle. The graduation of the slipfitter cover plate can be used as guidelines to adjust the angle.
5. Tighten the locking bolt at D, as shown in Fig. 11.

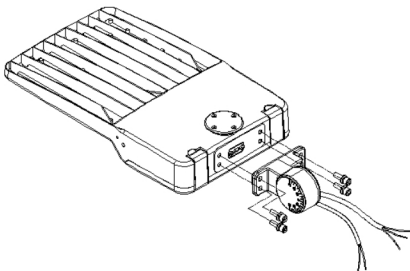


Fig. 9

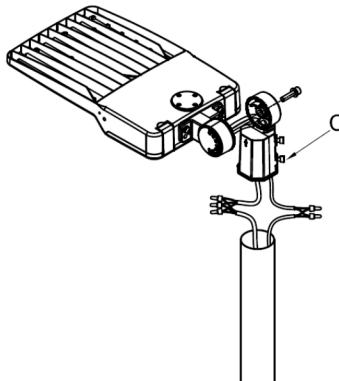


Fig. 10

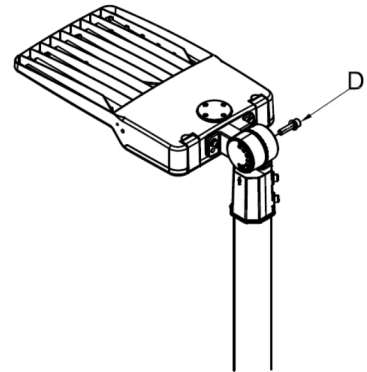


Fig. 11

## INSTALLATION INSTRUCTIONS

### POLE MOUNT

1. Assemble Arm to Fixture, as shown in Fig. 12.
2. Place the Bolster Plate inside the pole as shown in Fig. 13.
3. Fix Arm to pole with bolt.
4. Open the Arm cover and pull the wires into the junction box (supplied by others) shown in Fig.14
5. Feed supply wire from the pole to connect to the Arm. Make appropriate wire connections per NEC in an approved enclosure (Fig.)
6. Use bolts to tighten to the pole.
7. Adjust the Angle you want by using the screws at E, shown in Fig. 15.

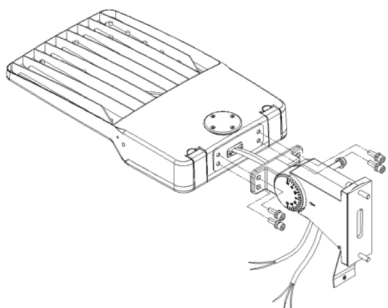


Fig. 12

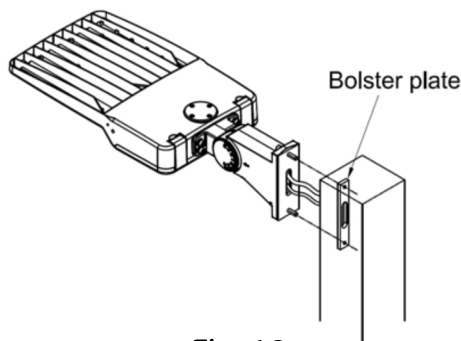


Fig. 13

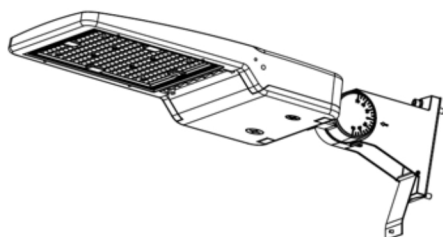


Fig. 14

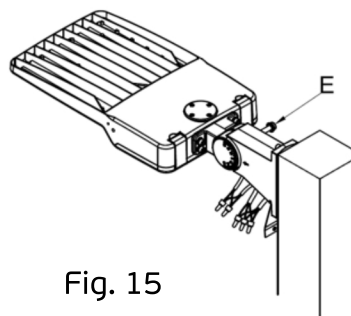
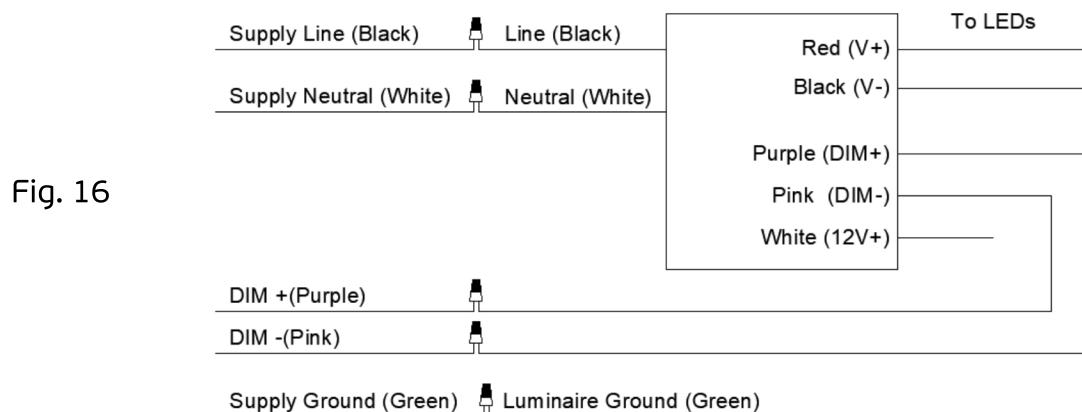


Fig. 15

## WIRING DIRAGRAMS

### Without photocell



## INSTALLATION INSTRUCTIONS

### FIELD ADJUSTMENT

Follow instructions below to change Fixture Color Temperature(CCT) or Power(W) from the factory settings. Factory Settings:4000K(CCT),Rated power.

1. Unscrew the CCT Selection Switch Cap as shown in Fig. 17.
2. Adjust the CCT and Power (W) by sliding the respective switch to the desired value as shown in Fig. 18.
3. Instal and tighten the 3/4"caps.

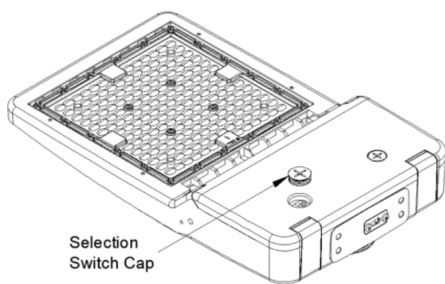


Fig. 17

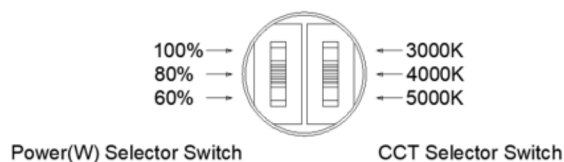


Fig. 18

### After installation, please:

- Check whether the lighting fixture is firmly fixed.
- Check whether wires are connected correctly.

**At last, turn on the power, and check if the lighting fixture works well. If not, please turn off the power and contact with local dealer.**

