

Installation Instruction Sheet

Linear Fixtures

INSTALLATION INSTRUCTIONS FOR JOINING AND SUSPENDING FIXTURES

WARNING

To reduce the risk of death, injury or property damage from fire, electric shock, cuts, abrasions, falling parts and other hazards:

- Service of the equipment must be performed by qualified service personnel.
- Installation and maintenance must be performed by a person familiar with the construction and operation of this product and any hazards involved. All applicable codes and ordinances must be followed.
- Read this document before installing, servicing or maintaining this equipment. These instructions do not cover all installation, service and maintenance situations. If your situation is not covered, or, if you do not understand these instructions or additional information is required, contact Lux Illuminaire or your local agent.
- Read and follow all warnings and instructions provided by the LED manufacturer.

WARNING

- Before installing, servicing or maintaining this equipment, follow these general precautions. To reduce the risk of electrocution:
- Make sure the equipment is properly grounded.
- Always de-energize the circuit and/or equipment before connecting to, disconnecting from or servicing the equipment.

NOTICE—This equipment has not been evaluated for compliance with Article 700 of the National Electrical Code ANSI/NFPA 70”, or the equivalent:

- Identification label of a multiple driver box fixture contains electrical requirements for the complete system (all boxes).

To prevent luminaire row from over-current:

- By adding the input current of each luminaire section marked on the luminaire, the total current per power feed must not exceed the maximum line wire amperage marked on the luminaire and the power feed cord/wire amperage rating whichever is the least.

To reduce the risk of fire:

- Keep material away that can burn from hot LEDs.
- Make sure LED boards are correctly installed.
- Use supply conductors with a minimum installation temperature rating as specified on equipment.

To reduce the risk of personal injury from cuts, abrasions or falling parts:

- Wear gloves to prevent cuts or abrasions from sharp edges when removing from carton, handling and maintaining this equipment.
- Do not use abrasive materials, glass cleaners or other solvents on reflector or lens. These substances may damage equipment and cause parts to eventually break and fall.
- Do not install a damaged fixture.

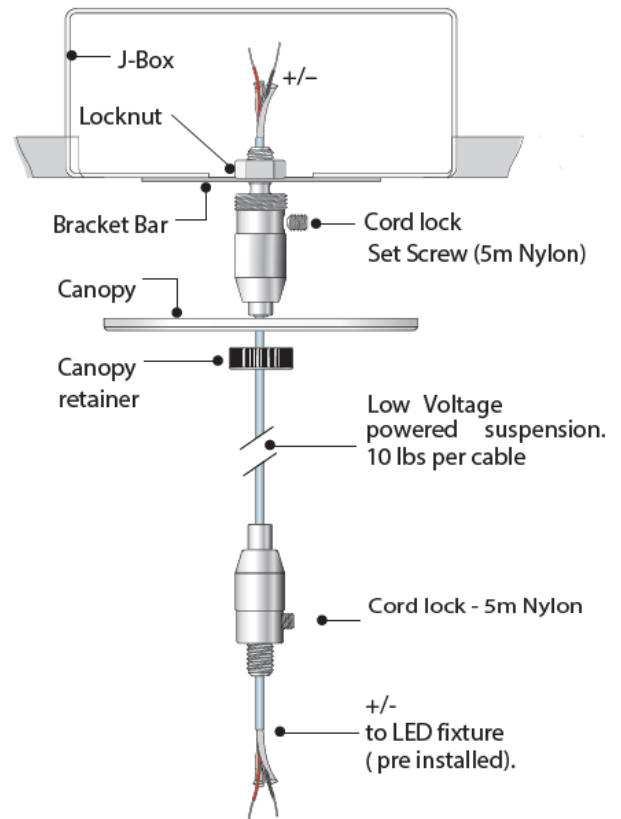
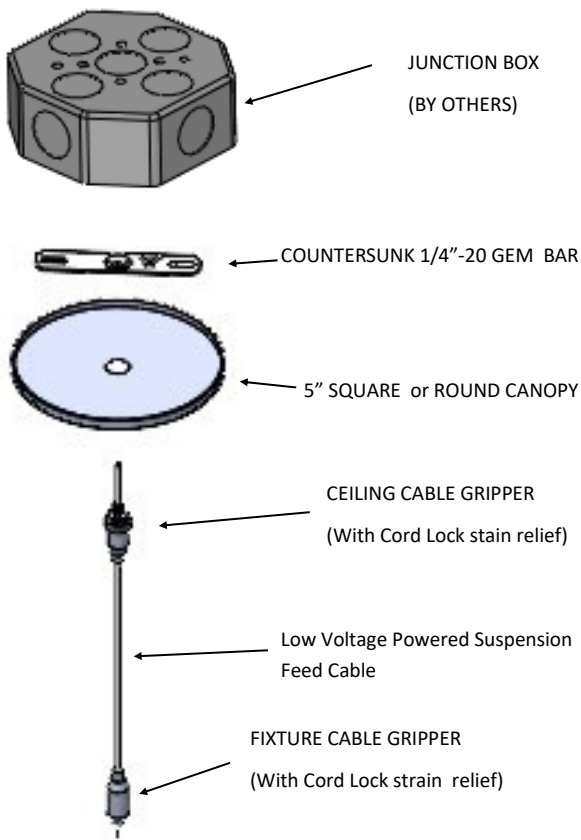
Indirect Driver Circuitry	
LINE WIRE COLOR	CIRCUIT DESCRIPTION
BLK	HOT
WHT	NEUTRAL
GRN	GROUNDING
VLT	DIMMING CONTROL 1
GRY	DIMMING CONTROL 2
WHT/RED	LED +
WHT/BLUE	LED -

Direct Driver Circuitry	
WIRE COLOR	CIRCUIT DESCRIPTION
BLK	HOT
WHT	NEUTRAL
GRN	GROUNDING
VLT	DIMMING CONTROL 1
GRY	DIMMING CONTROL 2
RED	LED +
BLUE	LED -

Typical Mounting Configurations

Linear Fixtures

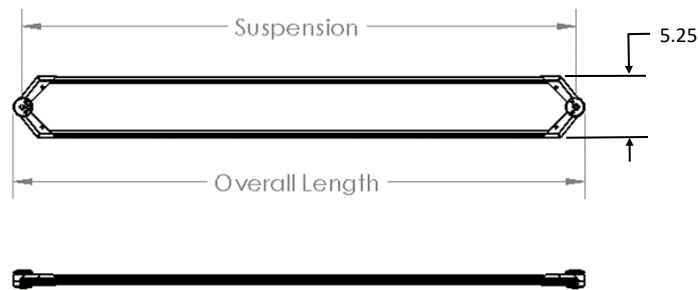
Hard Ceiling System (Low Voltage suspension Feed Cable)



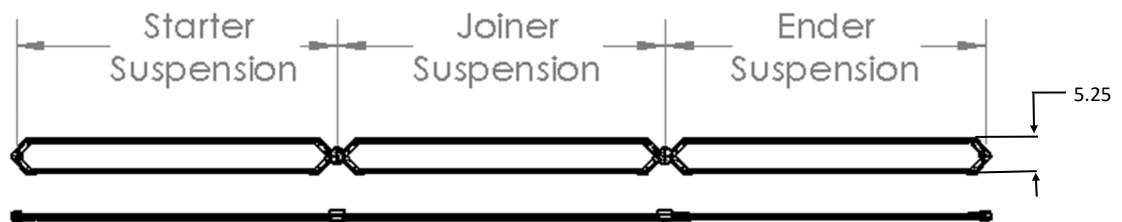
Mounting Length Configurations

Fixtures

Individual Straight Fixture Lengths		
Fixture Type	Overall Length	Suspension
2 Foot Indv	24.40"	22.93"
3 Foot Indv	36.40"	34.93"
4 Foot Indv	48.40"	46.93"
5 Foot Indv	60.40"	58.93"
6 Foot Indv	72.40"	70.93"



Pattern Mounting Configuration Lengths			
Fixture Type	Starter Suspension	Joiner Suspension	Ender Suspension
2 Foot Unit	24.00"	25.00"	24.00"
3 Foot Unit	36.00"	37.00"	36.00"
4 Foot Unit	48.00"	49.00"	48.00"
5 Foot Unit	60.00"	61.00"	60.00"
6 Foot Unit	72.00"	73.00"	72.00"

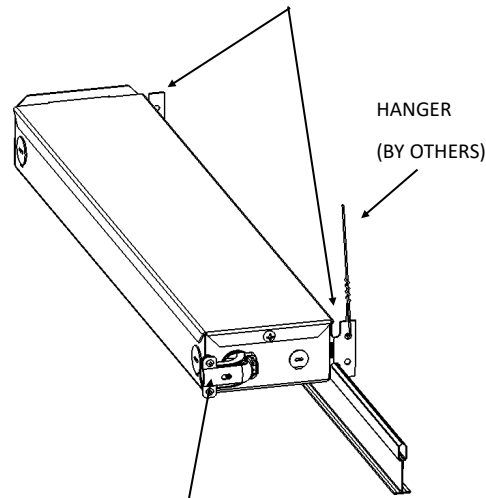


Typical Mounting Configurations

Linear Fixture Remote Driver Box for Fixture

Remote Box Grid Mounting

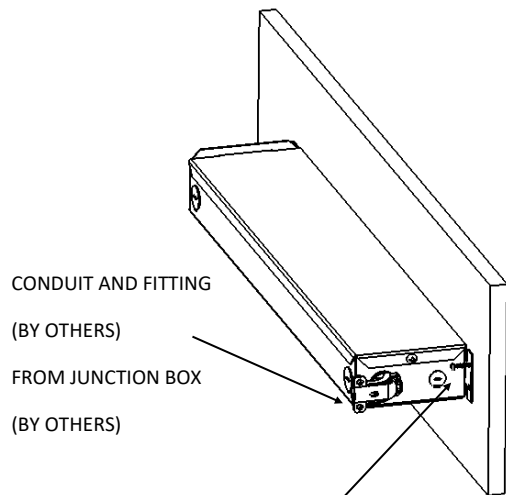
MOUNT REMOTE BOX TO GRID USING T-WINGS



CONDUIT AND FITTING (BY OTHERS)
FROM JUNCTION BOX (BY OTHERS)

Remote Box Wall Mounting

MOUNT REMOTE BOX TO WALL THRU MOUNTING HOLES

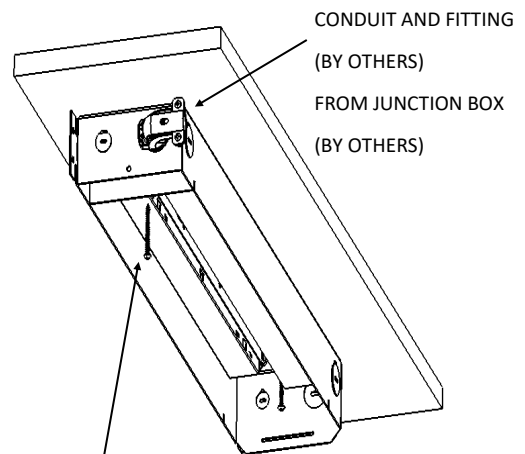


CONDUIT AND FITTING
(BY OTHERS)
FROM JUNCTION BOX
(BY OTHERS)

SCREWS (BY OTHERS)

Remote Box Ceiling Mounting

MOUNT REMOTE BOX TO CEILING THRU MOUNTING HOLES INSIDE BOX



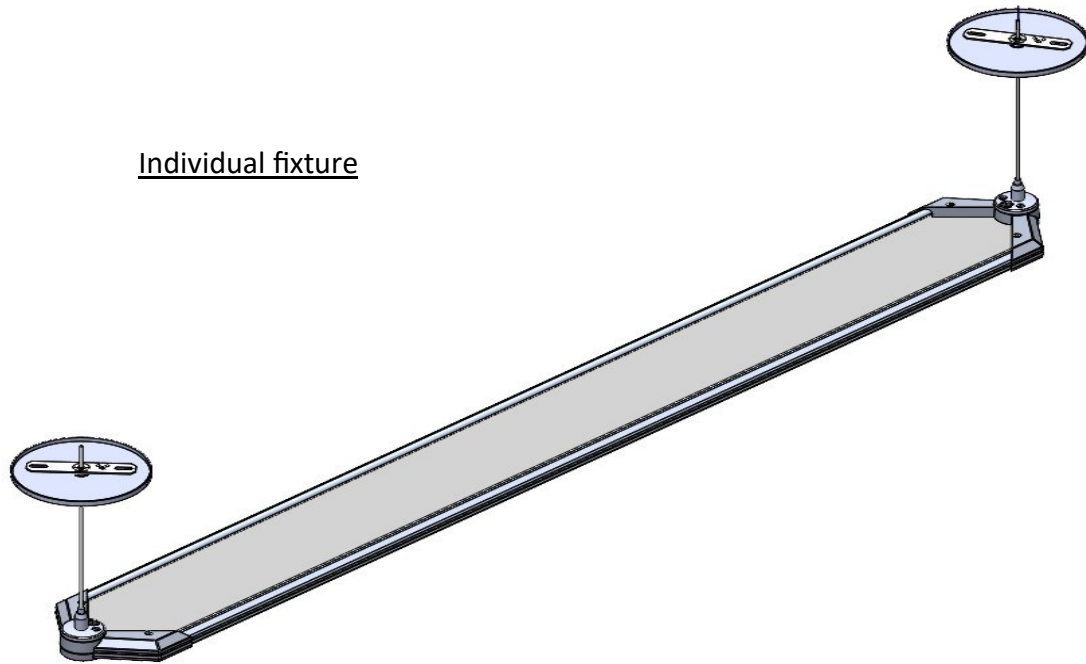
CONDUIT AND FITTING
(BY OTHERS)
FROM JUNCTION BOX
(BY OTHERS)

SCREWS (BY OTHERS)

FLKs LED Pendant Mounted Luminaire

Installation Instruction Sheet

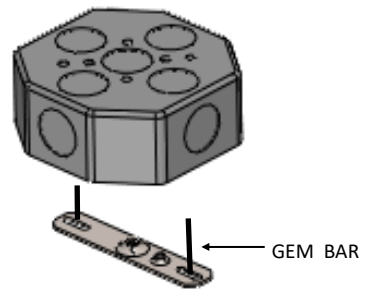
Linear Fixture



Install Junction Box (by others) according to the ceiling type using the suspension chart on page 4.

Mount the supplied GEM bar to Junction Boxes.

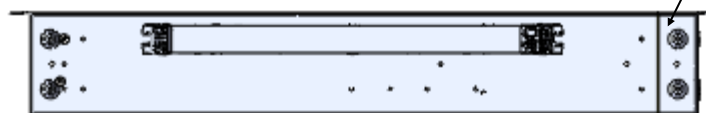
JUNCTION BOX (BY OTHERS)



Install Remote Drive boxes according to page 5

Feed "Low Voltage wires "Red (+)" and "Blue (-)" from Remote Driver Box to Junction box (See local code).

LOW VOLTAGE SECTION OF REMOTE BOX



Installation Instruction Sheet

Linear Fixtures

POWERED SUSPENSION FEED INSTALLATION INSTRUCTIONS

Attach Gripper to GEM Bar on Junction Box in ceiling.

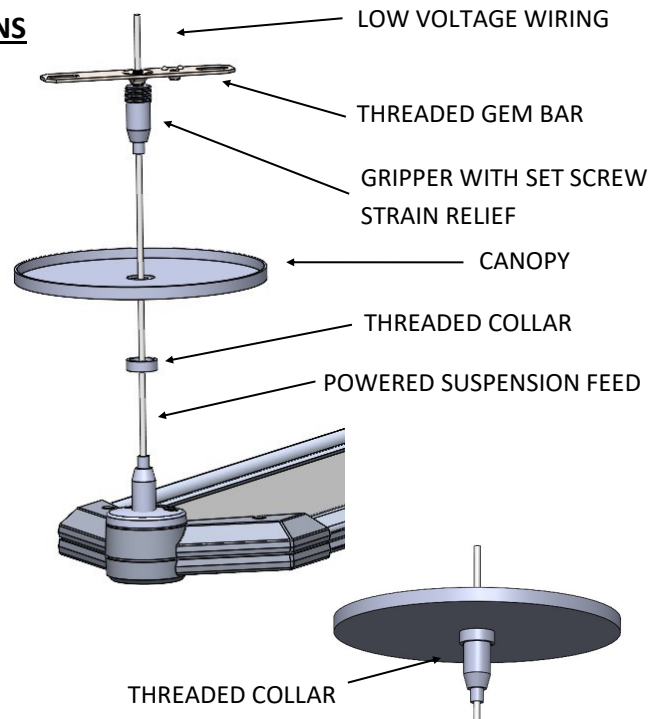
REMOVE THREADED COLLAR ON GRIPPER

Run suspension feed cord thru Threaded Collar and then thru Canopy before inserting thru Gripper.

To level, push gripper bottom upward while adjusting the suspension feed. After leveling, make sure gripper bottom is down and set screw is tightened.

Knot Powered Suspension Feed in J-Box and make low voltage wiring connections (See Local Code).

Slide up Canopy and attach Threaded Collar to the Ceiling Gripper.



For Ender or Joiner Fixture mounting:

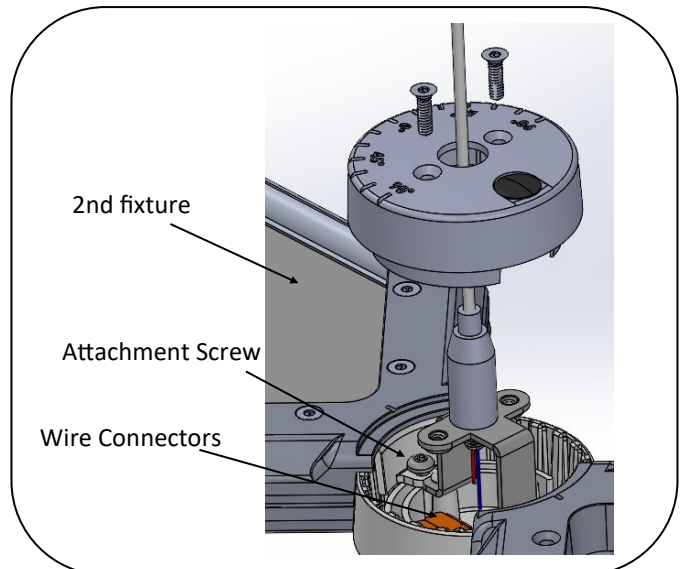
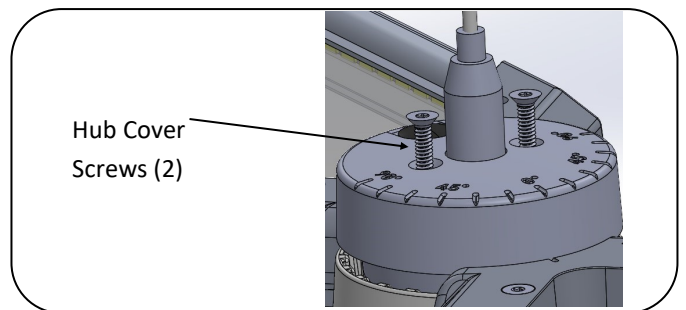
After starter is hung, mount next fixture.

Remove two screws and lift Hub Cover.

Slide 2nd fixture into Hub and fastens with supplied attachment screw.

Repeat this operation for Patterns with multiple units attached to Hub.

Reattach Hub Cover.



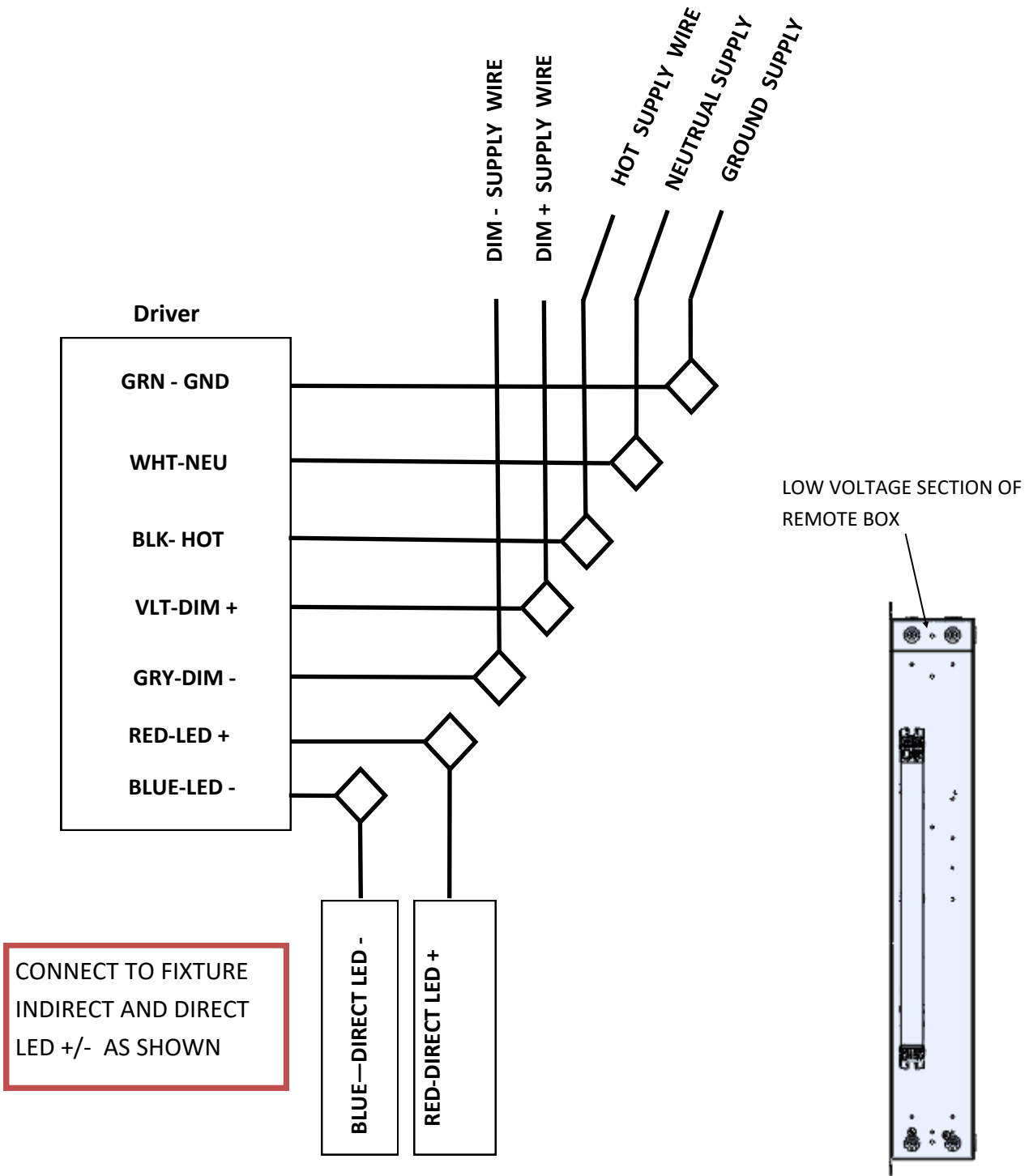
*See page 7 for Adding Joiner or Ender fixtures

WIRING INSTALLATION INSTRUCTIONS FIXTURE

REMOTE BOX WIRING:

*Maximum suggest remote driver distance 16 feet

CONNECT TO BUILDING POWER SUPPLY AND DIMMING AS SHOWN



From Fixture

REMOTE BOX