

Project		Catalog #		Type	
Prepared by		Notes		Date	



Fail-Safe

Vaportite LED

8' Tamper Resistant LED Vaportite

Typical Applications

Parking Garage • Cold Storage • Canopy • Warehouse • Food Processing • Manufacturing • Complex Environments

Interactive Menu

- Order Information page 2
- Photometric Data page 2
- Product Warranty

Product Certification



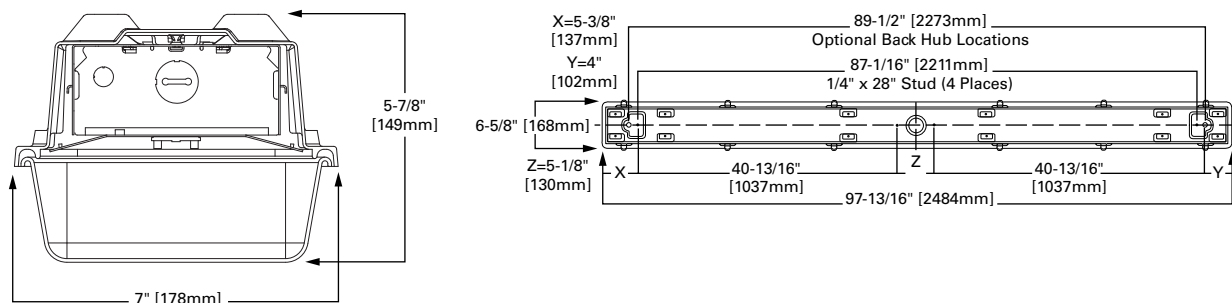
Product Features



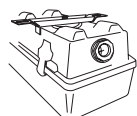
Top Product Features

- 2ft, 4ft, and 8ft Sealed and Gasketed Tamper Resistant Vaportite
- Lumen packages up to 22K lumens
- High-Performance efficacy up to 150 LPW
- LEDs available in 3500K, 4000K and 5000K at 80 CRI
- Rated for -40c to 35c ambient
- Options to meet Buy American and other domestic preference requirements

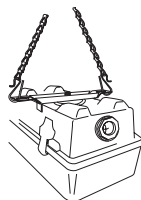
Dimensional and Mounting Details



Installation Data



MOUNTING BRACKETS
Furnished
Two per 2' and 4' Unit
Four per 8' Unit



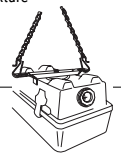
OPTIONAL CHAN HANGING SET
(VT2-CHAIN/SET-U)
Includes 6 ft. of chain, 4 large S-Hooks and 4 small S-Hooks
Two (2) Kits Recommended For 8' Fixture

Order Information

SAMPLE ORDER NUMBER: **8VRVT2-LD5-9-DR-UNV-L840-CD1-WL-U**

Domestic Preferences	Series	Lamp Type	LED Lumens Output	Lens	Distribution	Voltage	Remote Emergency Enclosure
Domestic Preferences ⁽⁵⁾	Series	Lamp Type	LED Lumens Output	Lens	Distribution	Voltage	Remote Emergency Enclosure
[Blank] =Standard BAA =Buy American Act TAA =Trade Agreements Act	8VRVT2 =8' Tamper Resistant Vaportite	LD5 =LED 5.0	9=9000 Lumens 12=12000 Lumens 16=16000 Lumens 22=22000 Lumens	DR =Internal Prismatic Lens/15% DR High Impact Additive DR100 =Internal Prismatic Lens/100% DR High Impact Additive FR50 =Frosted Lens/15% DR High Impact Additive ⁽¹⁾	[Blank] =Medium (Standard) W =Wide Distribution	UNV =Universal Voltage 120-277	VT-REM-EL =Emergency Installed, 700 lumens ⁽²⁾ EL10W =10-watt, 120-277V emergency battery pack installed (9,000 lumen fixture only) ⁽²⁾
Notes (5) Only product configurations with these designated prefixes are built to be compliant with the Buy American Act of 1933 (BAA) or Trade Agreements Act of 1979 (TAA), respectively. Please refer to DOMESTIC PREFERENCES website for more information. Components shipped separately may be separately analyzed under domestic preference requirements				Notes (1) Not available in wide distribution.			Notes (2) EL must specify 120 or 277V only.

Lamps	Driver Type	Label	Options	Packaging	Accessories
Lamps	Driver Type	Label	Options	Packaging	Accessories (order separately) ⁽⁶⁾
L835 =3500K, LED L840 =4000K, LED L850 =5000K, LED LG52 =Green 520nm LED LA59 =Amber 590nm LED LR63 =Red 630nm LED	CD1 =1 Dimming Driver (9,000 lumens only) CD2 =2 Dimming Drivers 5LTD1 =Fifth Light DALI (9,000 lumens only) 5LTD2 =Fifth Light DALI	WL =Wet Location Label	SSL =Stainless Steel Latches TH =(2) Top Watertite Hubs TEH =(2) Top and (2) End Watertite Hubs (all Watertite Hubs have 1/2" Conduit Entry) MS =Damp Listed Motion Sensor MSWL20 =Wet Listed Motion Sensor, max 20ft mounting height HBE11 =Wet location PIR Indoor/Outdoor Occupancy Sensor ⁽⁴⁾	U =Unit Pack	VT2-Chain/Set-U =Chain Hanging Set. Includes 6 ft. of chain, 4 large S-Hooks and 4 small S-Hooks Two (2) Kits Recommended for 8' Fixture VT2-SS-MBK =Stainless Steel Mounting Bracket
			Notes (4) Available for 120V, 277V, and 347V voltage only.		Notes (6) Accessories sold separately will be separately analyzed under domestic preference requirements. Consult factory for further information.



Product Specifications

Construction

- Rugged and durable construction
- Fiberglass housing is reinforced polyester and self-extinguishing (ASTM-D635-74) plastic
- Full metal fixture liner
- Watertight housing
- 1/2" conduit entry at each end of housing (standard) for continuous feed
- Polyurethane gasketing provides a continuous seamless seal for the diffuser lens
- Four sturdy cam latches clamp diffuser tightly for a positive seal between housing, gasketing and diffuser
- Surface or chain mounting
- Torx (R) Tamperproof Screws to prevent unauthorized access

Electrical

- Long-Life LED system coupled with electrical driver for optimal performance
- LED's available in 3500K, 4000K and 5000K with a CRI ≥ 80
- Projected life is 60,000 hours at 91% lumen output
- Electronic drivers are available for 120-277V applications
- 0-10V dimming control (standard)
- Operating temperature of -40°C to 35°C; Ideal for cold storage environments

Lens

- High-impact diffuser lens
- Internal Prismatic Lens with 15% DR High Impact Additive (DR) or Internal Prismatic Lens with 100% DR High Impact Additive (DR100)
- Frosted Lens with 15% DR High Impact Additive (FR50) option

Finish

- Housing is permanent pearl gray color

Warranty

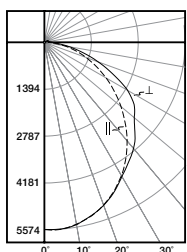
- Five-year limited warranty

Compliance

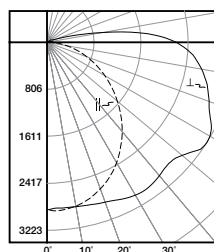
- UL/cUL listed for Wet location
- RoHS compliant
- LED modules comply with IESNA LM-79 and LM-80 standards

Photometric Data

[View IES files](#)



8VRVT2-LD5-16-DR-UNV-L840-CD2-WL-U
Electronic Driver
Linear LED 4000K
Spacing criterion: (II) 1.21 x mounting height,
(L) 1.23 x mounting height
Lumens: 16460
Input Watts: 117W
Efficacy: 140.7 lm/W
Test Report:
8VRVT2-LD5-16-DR-UNV-L840-CD2-WL-U.IES



8VRVT2-LD5-16-DR-W-UNV-L840-CD2-WL-U
Electronic Driver
Linear LED 4000K
Spacing criterion: (II) 1.22 x mounting height,
(L) 1.59 x mounting height
Lumens: 15236
Input Watts: 117W
Efficacy: 130.2 lm/W
Test Report:
8VRVT2-LD5-16-DR-W-UNV-L840-CD2-WL-U.IES

Energy and Performance Data

Color LED

Catalog Number	Description	Delivered Lumens					Watts	Efficacy				
		Lensing						Lensing				
		DR	DR-W	DR100	DR100-W	FR50		DR	DR-W	DR100	DR100-W	FR50
8VRVT2-LD5-9-XX-UNV-LR63-CD1-WL-U	8ft, Vaportight, 9000 lumens UNV, Red 630nm	1449	1386	1450	1390	1434	170	9	8	9	8	8
8VRVT2-LD5-9-XX-UNV-LA59-CD1-WL-U	8ft, Vaportight, 9000 lumens UNV, Amber 590nm	2535	2426	2537	2432	2510	101	25	24	25	24	25
8VRVT2-LD5-9-XX-UNV-LG52-CD1-WL-U	8ft, Vaportight, 9000 lumens UNV, Green 520nm	7243	6932	7249	6949	7172	156	46	44	46	45	46
8VRVT2-LD5-12-XX-UNV-LR63-CD1-WL-U	8ft, Vaportight, 12000 lumens UNV, Red 630nm	1983	1898	1985	1902	1964	262	8	7	8	7	7
8VRVT2-LD5-12-XX-UNV-LA59-CD1-WL-U	8ft, Vaportight, 12000 lumens UNV, Amber 590nm	3470	3321	3473	3329	3436	155	22	21	22	22	22
8VRVT2-LD5-12-XX-UNV-LG52-CD1-WL-U	8ft, Vaportight, 12000 lumens UNV, Green 520nm	9915	9490	9923	9512	9818	241	41	39	41	39	41
8VRVT2-LD5-16-XX-UNV-LR63-CD1-WL-U	8ft, Vaportight, 16000 lumens UNV, Red 630nm	2634	2438	2637	2438	2600	303	9	8	9	8	9
8VRVT2-LD5-16-XX-UNV-LA59-CD1-WL-U	8ft, Vaportight, 16000 lumens UNV, Amber 590nm	4609	4266	4615	4267	4550	179	26	24	26	24	25
8VRVT2-LD5-16-XX-UNV-LG52-CD1-WL-U	8ft, Vaportight, 16000 lumens UNV, Green 520nm	13168	12189	13186	12191	13000	279	47	44	47	44	47
8VRVT2-LD5-22-XX-UNV-LR63-CD1-WL-U	8ft, Vaportight, 22000 lumens UNV, Red 630nm	3442	3186	3447	3187	3398	427	8	7	8	7	8
8VRVT2-LD5-22-XX-UNV-LA59-CD1-WL-U	8ft, Vaportight, 22000 lumens UNV, Amber 590nm	6024	5576	6032	5577	5947	252	24	22	24	22	24
8VRVT2-LD5-22-XX-UNV-LG52-CD1-WL-U	8ft, Vaportight, 22000 lumens UNV, Green 520nm	17211	15931	17234	15934	16992	393	44	41	44	41	43

Lumen Maintenance

Ambient Temperature	TM-21 Lumen Maintenance (60,000 hours)	Theoretical L70 (Hours)
25°C	> 91%	> 237,000

Input Watts:

8VRVT2-LD5-9 (9,000 lumens)=66W
8VRVT2-LD5-12 (12,000 lumens)=100W
8VRVT2-LD5-16 (16,000 lumens)=117W
8VRVT2-LD5-22 (22,000 lumens)=165W

Shipping Data

Catalog No.	Wt.
8VRVT2-LD5	35 lbs.