

Project		Catalog #		Type	
Prepared by		Notes		Date	



## Fail-Safe

### Vaportite LED

#### 2' Tamper Resistant LED Vaportite

#### Typical Applications

Parking Garage • Cold Storage • Canopy • Warehouse • Food Processing • Manufacturing • Complex Environments

#### Interactive Menu

- Order Information page 2
- Photometric Data page 2
- Product Warranty

#### Product Certification



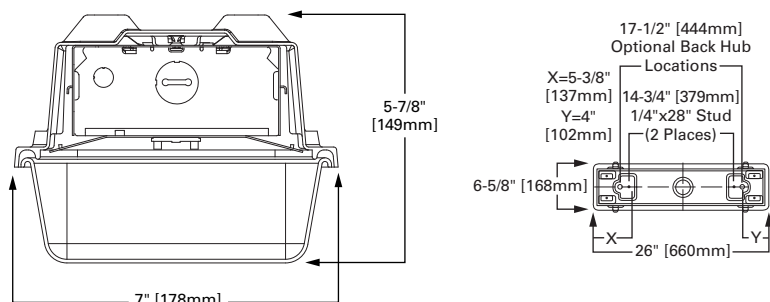
#### Product Features



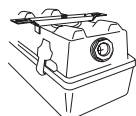
#### Top Product Features

- 2ft, 4ft, and 8ft Sealed and Gasketed Tamper Resistant Vaportite
- Lumen packages up to 22K lumens
- High-Performance efficacy up to 150 LPW
- LEDs available in 3500K, 4000K and 5000K at 80 CRI
- Rated for -40c to 35c ambient
- Options to meet Buy American and other domestic preference requirements

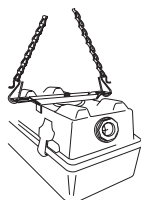
#### Dimensional and Mounting Details



#### Installation Data



**MOUNTING BRACKETS**  
Furnished  
Two per 2' and 4' Unit  
Four per 8' Unit




**OPTIONAL CHAN HANGING SET**  
(VT2-CHAIN/SET-U)  
Includes 6 ft. of chain, 4 large S-Hooks and 4 small S-Hooks  
Order One (1) Kit for each 2' or 4' Fixture  
Two (2) Kits Recommended For 8' Fixture

## Order Information

SAMPLE ORDER NUMBER: **2VRVT2-LD5-3-DR-UNV-L840-CD1-WL-U**

Domestic Preferences	Series	Lamp Type	LED Lumens Output	Lens	Distribution	Voltage	Remote Emergency Enclosure
Domestic Preferences <sup>(6)</sup>	Series	Lamp Type	LED Lumens Output	Lens	Distribution	Voltage	Remote Emergency Enclosure
<b>[Blank]</b> =Standard <b>BAA</b> =Buy American Act <b>TAA</b> =Trade Agreements Act	<b>2VRVT2</b> =2' Tamper Resistant Vaportite	<b>LD5</b> =LED 5.0	2=2000 Lumens 3=3000 Lumens 4=4000 Lumens 5=5000 Lumens <sup>(2)</sup>	<b>DR</b> =Internal Prismatic Lens/15% DR High Impact Additive <b>DR100</b> =Internal Prismatic Lens/100% DR High Impact Additive <b>FR50</b> =Frosted Lens/15% DR High Impact Additive <sup>(1)</sup>	<b>[Blank]</b> =Medium (Standard) <b>W</b> =Wide Distribution	<b>UNV</b> =Universal Voltage 120-277	<b>VT-REM-EL</b> =Emergency Installed, 700 lumens <sup>(2)</sup>
<b>Notes</b> <small>(6) Only product configurations with these designated prefixes are built to be compliant with the Buy American Act of 1933 (BAA) or Trade Agreements Act of 1979 (TAA), respectively. Please refer to DOMESTIC PREFERENCES website for more information. Components shipped separately may be separately analyzed under domestic preference requirements</small>			<b>Notes</b> <small>(3) 2ft, 5000 lumen configuration rated up to 30°C max ambient.</small>	<b>Notes</b> <small>(1) Not available in wide distribution.</small>			<b>Notes</b> <small>(2) EL must specify 120 or 277V only.</small>

Lamps	Driver Type	Label	Options	Packaging	Accessories
Lamps	Driver Type	Label	Options	Packaging	Accessories (order separately) <sup>(7)</sup>
<b>L835</b> =3500K, LED <b>L840</b> =4000K, LED <b>L850</b> =5000K, LED <b>LG52</b> =Green 520nm LED <b>LA59</b> =Amber 590nm LED <b>LR63</b> =Red 630nm LED	<b>CD1</b> =1 Dimming Driver	<b>WL</b> =Wet Location Label	<b>SSL</b> =Stainless Steel Latches <b>TH</b> =(2) Top Watertite Hubs <b>TEH</b> =(2) Top and (2) End Watertite Hubs (all Watertite Hubs have 1/2" Conduit Entry) <b>MS</b> =Damp Listed Motion Sensor <b>MSWL20</b> =Wet Listed Motion Sensor, max 20ft mounting height <b>HBE11</b> =Wet location PIR Indoor/Outdoor Occupancy Sensor <sup>(6)</sup>	<b>U</b> =Unit Pack	<b>VT2-Chain/Set-U</b> =Chain Hanging Set. Includes 6 ft. of chain, 4 large S-Hooks and 4 small S-Hooks Order One (1) Kit for each 2' or 4' Fixture <b>VT2-SS-MBK</b> =Stainless Steel Mounting Bracket 
			<b>Notes</b> <small>(5) Available for 120V, 277V, and 347V voltage only.</small>		<b>Notes</b> <small>(7) Accessories sold separately will be separately analyzed under domestic preference requirements. Consult factory for further information.</small>

## Product Specifications

### Construction

- Rugged and durable construction
- Fiberglass housing is reinforced polyester and self-extinguishing (ASTM-D635-74) plastic
- Full metal fixture liner
- Watertight housing
- 1/2" conduit entry at each end of housing (standard) for continuous feed
- Polyurethane gasketing provides a continuous seamless seal for the diffuser lens
- Four sturdy cam latches clamp diffuser tightly for a positive seal between housing, gasketing and diffuser
- Surface or chain mounting
- Torx (R) Tamperproof Screws to prevent unauthorized access

### Electrical

- Long-Life LED system coupled with electrical driver for optimal performance
- LED's available in 3500K, 4000K and 5000K with a CRI ≥ 80
- Projected life is 60,000 hours at 91% lumen output
- Electronic drivers are available for 120-277V applications
- 0-10V dimming control (standard)
- Operating temperature of -40°C to 35°C; Ideal for cold storage environments

### Lens

- High-impact diffuser lens
- Internal Prismatic Lens with 15% DR High Impact Additive (DR) or Internal Prismatic Lens with 100%

DR High Impact Additive (DR100)

- Frosted Lens with 15% DR High Impact Additive (FR50) option

### Finish

- Housing is permanent pearl gray color

### Warranty

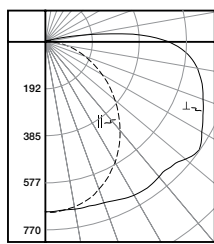
- Five-year limited warranty

### Compliance

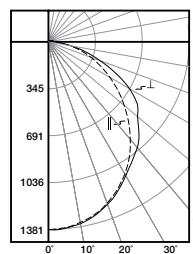
- UL/cUL listed for Wet location
- RoHS compliant
- LED modules comply with IESNA LM-79 and LM-80 standards

## Photometric Data

 [View IES files](#)



**2VRVT2-LD5-4-DR-W-UNV-L840-CD1-WL-U**  
Electronic Driver  
Linear LED 4000K  
Spacing criterion: (||) 1.22 x mounting height,  
(⊥) 1.59 x mounting height  
Lumens: 3603  
Input Watts: 28.9W  
Efficacy: 124.7 lm/W  
Test Report:  
2VRVT2-LD5-4-DR-W-UNV-L840-CD1-WL-U.IES



**2VRVT2-LD5-4-DR-UNV-L840-CD1-WL-U**  
Electronic Driver  
Linear LED 4000K  
Spacing criterion: (||) 1.21 x mounting height,  
(⊥) 1.23 x mounting height  
Lumens: 4075  
Input Watts: 28.9W  
Efficacy: 141 lm/W  
Test Report:  
2VRVT2-LD5-4-DR-UNV-L840-CD1-WL-U.IES

## Energy and Performance Data

### Color LED

Catalog Number	Description	Delivered Lumens					Watts	Efficacy				
		Lensing						Lensing				
		DR	DR-W	DR100	DR100-W	FR50		DR	DR-W	DR100	DR100-W	FR50
2VRVT2-LD5-2-XX-UNV-LR63-CD1-WL-U	2ft, Vaportight, 2000 lumens UNV, Red 630nm	354	335	352	332	349	45	8	7	8	7	8
2VRVT2-LD5-2-XX-UNV-LA59-CD1-WL-U	2ft, Vaportight, 2000 lumens UNV, Amber 590nm	619	585	616	582	611	27	23	22	23	22	23
2VRVT2-LD5-2-XX-UNV-LG52-CD1-WL-U	2ft, Vaportight, 2000 lumens UNV, Green 520nm	1770	1673	1761	1662	1746	41	43	40	43	40	42
2VRVT2-LD5-3-XX-UNV-LR63-CD1-WL-U	2ft, Vaportight, 3000 lumens UNV, Red 630nm	396	437	492	435	487	57	7	8	9	8	9
2VRVT2-LD5-3-XX-UNV-LA59-CD1-WL-U	2ft, Vaportight, 3000 lumens UNV, Amber 590nm	692	765	861	761	852	33	21	23	26	23	26
2VRVT2-LD5-3-XX-UNV-LG52-CD1-WL-U	2ft, Vaportight, 3000 lumens UNV, Green 520nm	1978	2187	2460	2174	2434	52	38	42	47	42	47
2VRVT2-LD5-4-XX-UNV-LR63-CD1-WL-U	2ft, Vaportight, 4000 lumens UNV, Red 630nm	652	576	6491	573	642	75	9	8	87	8	9
2VRVT2-LD5-4-XX-UNV-LA59-CD1-WL-U	2ft, Vaportight, 4000 lumens UNV, Amber 590nm	1141	1009	1135	1003	1123	44	26	23	26	23	26
2VRVT2-LD5-4-XX-UNV-LG52-CD1-WL-U	2ft, Vaportight, 4000 lumens UNV, Green 520nm	3260	2882	3243	2866	3210	69	47	42	47	42	47
2VRVT2-LD5-5-XX-UNV-LR63-CD1-WL-U	2ft, Vaportight, 5000 lumens UNV, Red 630nm	828	732	824	728	815	101	8	7	8	7	8
2VRVT2-LD5-5-XX-UNV-LA59-CD1-WL-U	2ft, Vaportight, 5000 lumens UNV, Amber 590nm	1449	1281	1441	1274	1427	60	24	21	24	21	24
2VRVT2-LD5-5-XX-UNV-LG52-CD1-WL-U	2ft, Vaportight, 5000 lumens UNV, Green 520nm	4140	3661	4118	3639	4076	93	45	39	44	39	44

### Lumen Maintenance

Ambient Temperature	TM-21 Lumen Maintenance (60,000 hours)	Theoretical L70 (Hours)
25°C	> 91%	> 237,000

#### Input Watts:

2VRVT2-LD5-2 (2,000 lumens)=17W
2VRVT2-LD5-3 (3,000 lumens)=22W
2VRVT2-LD5-4 (4,000 lumens)=29W
2VRVT2-LD5-5 (5,000 lumens)=39W

### Shipping Data

Catalog No.	Wt.
2VRVT2-LD5	10 lbs.