

Project		Catalog #		Type	
Prepared by		Notes		Date	



Fail-Safe HVSL4 | LD4 LED

4" Width Vandal Resistant Linear LED
Steel Housing
Polycarbonate Lens

Typical Applications

Stairwells • Schools • Hospitals • Corridors • Dormitories • Public restrooms
• Common areas • Transit stations

Interactive Menu

- Order Information page 2
- Product Specifications page 3
- Nominal Input Watts/Delivered Lumens page 4
- Product Warranty

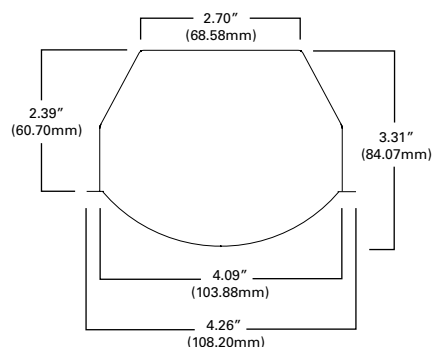
Product Certification



Top Product Features

- Steel, aluminum, or stainless steel housing and end plates
- Opal clear polycarbonate lens, lifetime warranty
- 4" nominal width
- 1', 2', 3', 4', and 8' lengths
- Continuous row utilizing end KOs
- Pendant mount available
- Integral or external occupancy sensor, mounted to end mount box
- Damp location standard, wet location under covered ceiling available
- Options to meet Buy American Act requirements

Dimensional and Mounting Details



[additional product diagrams](#)

Order Information

SAMPLE NUMBER: **HVSL4-4-LD4-2STD-40-UNV-O-EDC1**
HVSL4-4-LD4-2LO-35-UNV-O-EDC1-EL7W

Domestic Preferences	Product Family	Length	LED Type	Number of LED Modules	Illumination Level	Color Temperature	Voltage	Lens Type	Driver
Domestic Preferences ⁽¹⁹⁾	Product Family	Length	LED Type	Number of LED Modules	Illumination Level	Color Temperature	Voltage	Lens Type	Driver
[Blank] =Standard BAA =Buy American Act	HVSL4 =4" Wide HVSL Linear Steel BAA-HVSL4 =4" Wide HVSL Linear Steel Buy Act Compliant ¹⁹	1=1' Length ^{(6),(7)} 2=2' Length ⁽⁶⁾ 3=3' Length 4=4' Length 8=8' Length ⁽¹⁾	LD4 =LED, Version 4.0	1=(1) LED Module in Cross Section 2=(2) LED Modules in Cross Section	STD =Standard LO =Low HI =High	30=3000K Kelvin 35=3500K Kelvin 40=4000K Kelvin 50=5000K Kelvin	UNV =120V-277V	0=Opal Polycarbonate	EDC1 =Single Circuit, Non-Dimming ⁽⁵⁾ EDC2 =Dual Circuit, Non-Dimming ⁽⁵⁾ EDD1 =Single Circuit, 0-10V 10% Dimming ⁽⁵⁾ EDD2 =Dual Circuit, 0-10V 10% Dimming ⁽⁵⁾ ED1D1 =Single Circuit, 0-10V 1% Dimming ⁽⁵⁾ ED1D2 =Dual Circuit, 0-10V 10% Dimming ⁽⁵⁾
Notes (19) Only product configurations with this designated prefix are built to be compliant with the Buy American Act of 1933 (BAA). Please refer to DOMESTIC.PREFERENCES website for more information. Components shipped separately may be separately analyzed under domestic preference requirements.		Notes (1) 8 ft. unit consists of (2) 4 ft. housings joined together at the factory with single 8 ft. lens. (6) No center KO. (7) 1ft. fixture, single circuit only.							Notes (5) Purple and gray low voltage driver leads connected to driver for EDD1, EDD2. Not connected for EDC1, EDC2.

Options

Finish

Accessories (Order Separately)

Options	Finish	Accessories (Order Separately) ⁽²⁰⁾
<p>OS1=Internal Occupancy Sensor (behind lens), connected to 1 row of LED modules ^{(4),(10),(11),(15)}</p> <p>OS2=Internal Occupancy Sensor (behind lens), connected to 2 rows of LED modules ^{(4),(10),(11),(15)}</p> <p>OSE1=Occupancy Sensor Mounted in End External Box, Connected to One LED Module (box attached to end plate) (FS305) ^{(4),(10),(18)}</p> <p>OSE2=Occupancy Sensor Mounted in End External Box, Connected to Two LED Modules (box attached to end plate) (FS305) ^{(4),(10),(18)}</p> <p>OSES1=Occupancy Sensor Mounted in Side External Box, Connected to One LED Module (FS505) ^{(4),(10),(18)}</p> <p>OSES2=Occupancy Sensor Mounted in Side External Box, Connected to Two LED Modules (FS505) ^{(4),(10),(18)}</p> <p>EL7W=7W Emergency Pack ⁽²⁾</p> <p>EL10W=10W Emergency Pack ⁽⁹⁾</p> <p>EL14W=14W Emergency Pack ⁽⁹⁾</p> <p>SF1=TORX® T20 Tamper Proof side screws</p> <p>SF3=Allen-head center pin reject Tamper Proof side screws</p> <p>SHP=Stainless Steel Painted Housing</p> <p>SHPA=Stainless Steel Painted, all Fabricated Components</p> <p>ALH=Aluminum Painted Housing</p> <p>ALHA=Aluminum Painted, all Fabricated Components</p> <p>GSKLNS=Gasket to Lens - Side and Ends ⁽¹⁷⁾</p> <p>WL=Wet Location Under Covered Ceiling</p> <p>PMSC=Pendant Mount, Stem/Canopy using standard knockouts in back of housing, (4' & 8' length only) - damp location rated only, (no wet location) ^{(2),(9),(12)}</p> <p>PMY=Pendant Mount, AYC Chain or Y-Toggle, uses (4) 0.187" x 0.937" holes, (2) each end, (4' & 8' length only) - damp location rated only, (no wet location) ^{(2),(9),(12)}</p> <p>NSF=NSF2 Listed (non-food, splash zone)</p> <p>AM=Anti-microbial matte white paint</p> <p>FSS=Flush side screws (secure lens, non tamper proof)</p> <p>FSSTP=Flush side screws (secure lens, tamper proof)</p>	<p>[Blank]=Matte White</p> <p>BK=Black</p> <p>DP=Dark Platinum</p> <p>BZ=Bronze</p> <p>Custom colors available. Furnish RAL number or paint manufacturer/catalog number, or color chip. Consult Technical Support for proper catalog logic.</p>	<p>VRSD=T20 Center Pin Tamperproof TORX®-head bit</p> <p>SCF-XX-B=Fixed Stem Set</p> <p>XX=Length (6, 8, 12, 24, 36, 48, 60, 72)</p> <p>Used with all surface fixtures as stem sets. One set consists of one stem assembly. Minimum of two sets required per fixture. Not rated WL under covered ceiling.</p> <p>HVSL4-X-CM/BKT=HVSL4 Corner Mount bracket, specify length (X=length=1, 2, 3, 4, 8)</p> <p>HVSL4-CRNR/CONN=Corner Connector, 90 degree.</p> <p>HVSL4-X-WMAB45=Wall Mount angle bracket, 45 degree, specify length (X=length=1, 2, 3, 4, 8)</p>
<p>Notes</p> <p>(2) EL7W option is not available in the 1' or 2' lengths. EL7W is available in 3' & 4' lengths with 1L0, 1STD, 1HI, & 2L0, but not available in 2STD or 2HI. 2STD w/EL or 2HI w/EL are only available in 8' length. EL7W is available with PMSC or PMY options.</p> <p>(4) Specify voltage either 120 or 277.</p> <p>(9) EL10W & EL14W are only available in the 4' & 8' lengths. The 4' length w/EL is available with 1L0, 1STD, 1HI, & 2L0, but not available in 2STD or 2HI. 2STD w/EL or 2HI w/EL is only available in the 8' length. EL10W & EL14W are not available with PMSC or PMY.</p> <p>(10) Not available 1' & 2' lengths, or other lengths with either EM or dual circuit.</p> <p>(11) Adds 4" to fixture length. May cause objectionable dark area behind lens on one end.</p> <p>(12) Does not include stem, chain, or y-toggle.</p> <p>(15) FM105 sensor operates at 5.8GHz and may interfere with wireless network signals if they are operating on that same frequency.</p> <p>(17) GSKLNS option is standard with WL option so it is not needed in catalog logic.</p> <p>(18) External occupancy sensor (OSE) is damp location listed only.</p>		<p>Notes</p> <p>(20) Accessories sold separately will be separately analyzed under domestic preference requirements. Consult factory for further information.</p>

Product Specifications

Housing

- Heavy duty, 18 ga. steel housing and end caps provide rigid construction
- Stainless-steel and die-formed aluminum available
- End caps provided with 7/8" KO for continuous row mounting
- Pendant mount standard with (2) 7/8"KOs in the housing back (all lengths except 1' and 2'). Stem sets ordered separately as accessory item
- Finished in matte white paint standard. Optional architectural colors available

Fasteners

- White painted Hex-head screws (4) secure the lens to the housing
- Stainless steel TORX®T20 (SF1) with center reject pin and allen head with center pin reject screws (SF3) optional
- Optional flush side screws (FSS or FSSTP) painted matte white

Lens

- One-piece extruded UV stabilized, diffuse polycarbonate
- Unique linear ribbed design provides even light distribution while obscuring lamp image and direct glare
- Internal ribs and smooth exterior reduce dirt build-up and facilitates cleaning
- Nominal lens thickness = 0.085"

Reflector

- 18 ga. CRS with white high reflectance polyester powder coat finish
- Reflector serves as driver and wireway cover

Mounting

- Surface mount standard, wall or ceiling.
- Continuous row using end knock-outs

Light-Emitting Diode (LED)

- LEDs available in 3000K, 3500K, 4000K and 5000K with minimum 80 CRI.

Transformer/Driver

- Electronic driver. 0-10V dimming standard

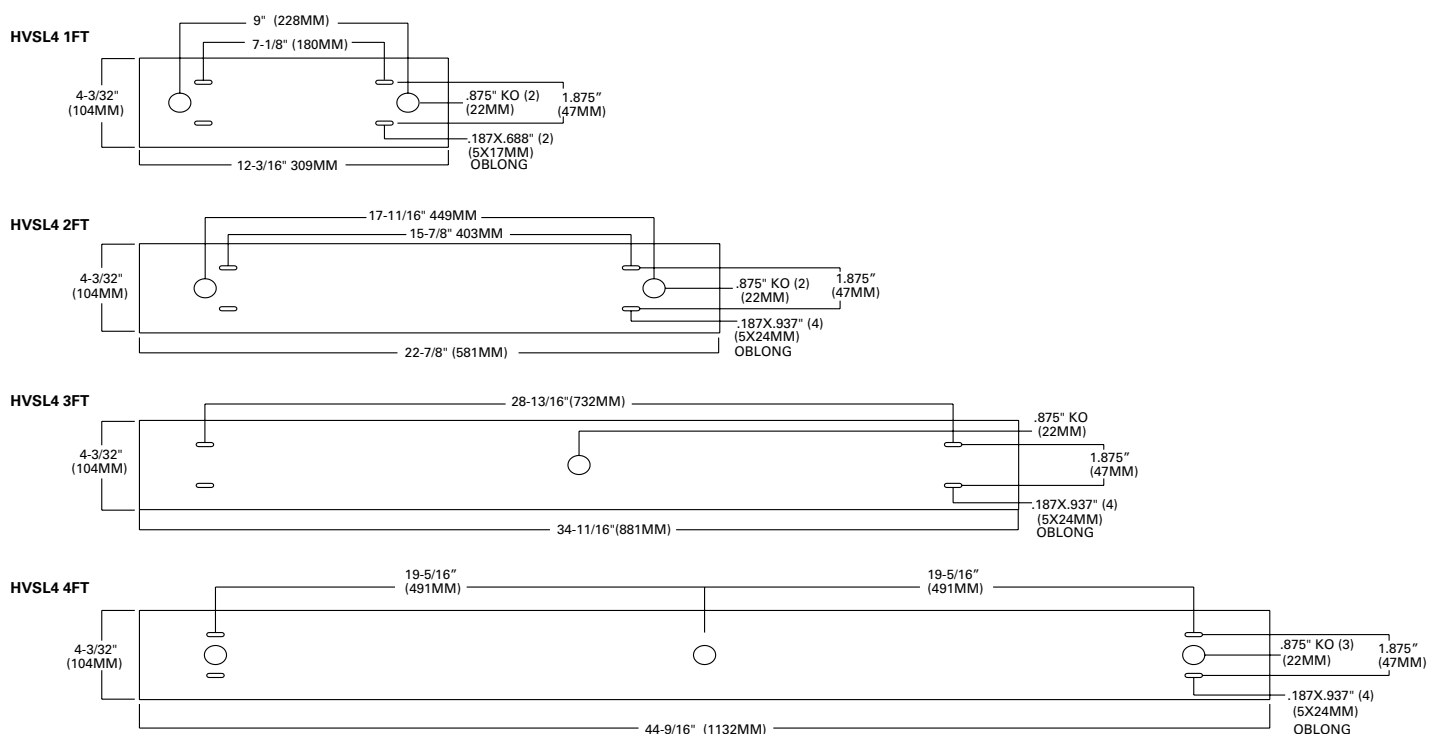
Compliance

- cULus listed for damp locations standard
- Wet location under covered ceiling optional, wall or ceiling mount
- NSF2 rated optional

Warranty

- Five-year warranty on LEDs and electrical, consult website for details. www.cooperlighting.com/legal

Dimensional and Mounting Details



NOTE:

- * 8' Fixture incorporates (2) 4' fixtures, attached at the factory, and one single 8' length lens

Nominal Input Watts/Delivered Lumens - 4000K

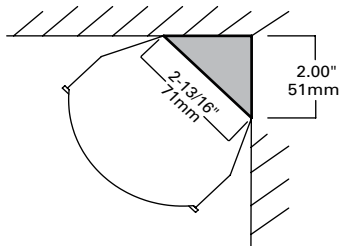
 [View IES files](#)

Fixture	Length	# Modules In Cross Section	Illumination Level	Nominal Input Watts	Opal Lens	
					Nominal Delivered Lumens	LPW
HVSL4 (4000K)	2	1	LO	11.6	1425	723
		1	STD	16.4	1830	112
		1	HI	21.6	2350	109
		2	LO	23.1	2843	123
		2	STD	32.7	3662	112
		2	HI	43.1	4712	109
	4	1	LO	23.1	2846	123
		1	STD	32.7	3662	111
		1	HI	43.1	4712	109
		2	LO	46.2	5684	123
		2	STD	65.4	7322	112
		2	HI	86.2	9422	109

• Nominal input wattage values include LED voltage, drive currents and typical driver efficiency. Refer to LM79 data/photometric files for exact delivered lumen values and input wattage. Values in table are nominal values only.
 • For 8' fixture delivered lumens, multiply 4' unit by a factor of 2.

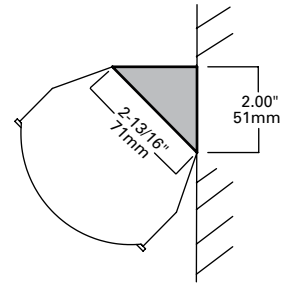
Corner Mount Bracket (Accessory)

HVSL4-X-CM/BKT=HVSL4 Corner Mount Bracket, specify length, (X=1, 2, 3, 4, 8)



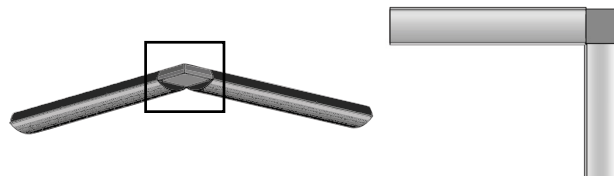
Wall Mount Angle Bracket (Accessory)

HVSL4-X-WMAB45=HVSL4 Wall Mount Angle Bracket, 45 degree, specify length, (X=1, 2, 3, 4, 8)



HVSL4 - Corner Connector (Accessory)

HVSL4-CRNR/CONN=HVSL4 Corner Connector, 90 degree



Pendant Mount: Suspension Sets - Stem Sets (Option)

XX=Length (6, 8, 12, 24, 36, 48, 60, 72) SCF-XX-B=Fixed Stem Set

Used with all surface fixtures as stem sets. One set consists of one stem assembly. Minimum of two sets required per fixture. Not rated WL under covered ceiling.

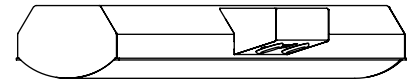
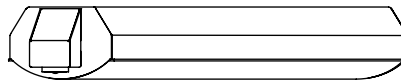
NOTE: Coupler, 3/8" IPS Pipe Coupler to join lengths. Coupler is standard baked white enamel or special order of black. Must specify pendant mount (PMSC or PMY) option on luminaire.

External Occupancy Sensor (Option)

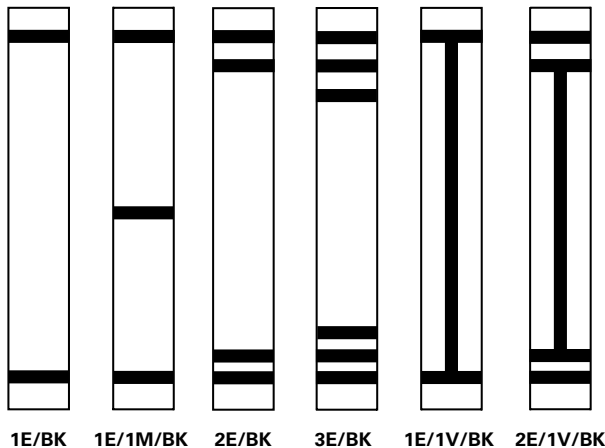
OSE=Occupancy Sensor mounted in external box, (box attached to fixture end plate).

OSES=Occupancy Sensor mounted in external box on side of fixture (box attached to side of fixture).

* Internal occupancy sensor available behind lens, positioned at fixture end. Internal sensor adds 4" to the fixture length. (OS1,OS2).



Decorative Lens/Bands (Option)



Ordering Logic (Add to end of fixture catalog #)

Example: HVSL4-4-LD4-1STD-40-UNV-0-EDC1-1E/BK

No of Horizontal Band and Location	Vertical Band	Band Color
------------------------------------	---------------	------------

No of Horizontal band and Location	Vertical Band	Band Color
1E=1 Band on End	1V=1 Band Vertical	BK=Black
2E=2 Bands on End		BR=Bronze
3E=3 Bands on End		BL=Blue
1M=1 Band in Middle		
2M=2 Bands in Middle		
3M=3 Bands in Middle		

Notes:

- *Bands are 3/4" thick
- *Bands are high durability paint finish
- *For custom colors, please furnish RAL# or paint manufacturer/catalog number
- *For other variations or colors not shown, please issue PDR