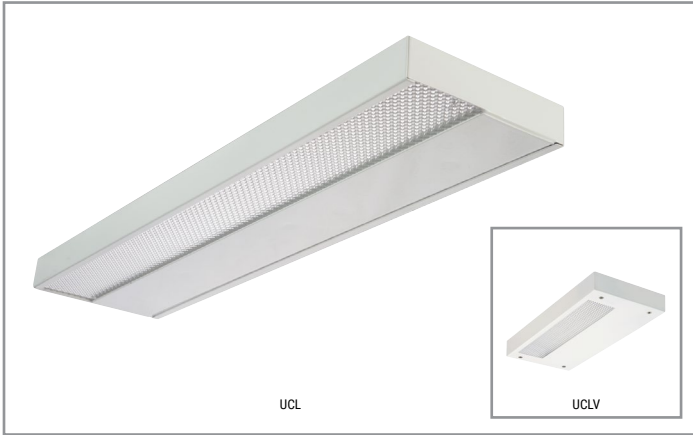


Project		Catalog #		Type	
Prepared by		Notes		Date	



Fail-Safe

UCL / UCLV

Undercabinet
 1' - 4' Lengths
 Multiple Lens Choices
 Steel, Stainless Steel, Aluminum

Typical Applications
 Commercial • Medical • Vandal Resistant • Laboratories & Pharmacies

Interactive Menu

- Order Information page 2
- Energy and Performance Data page 3
- Product Warranty

Product Certification



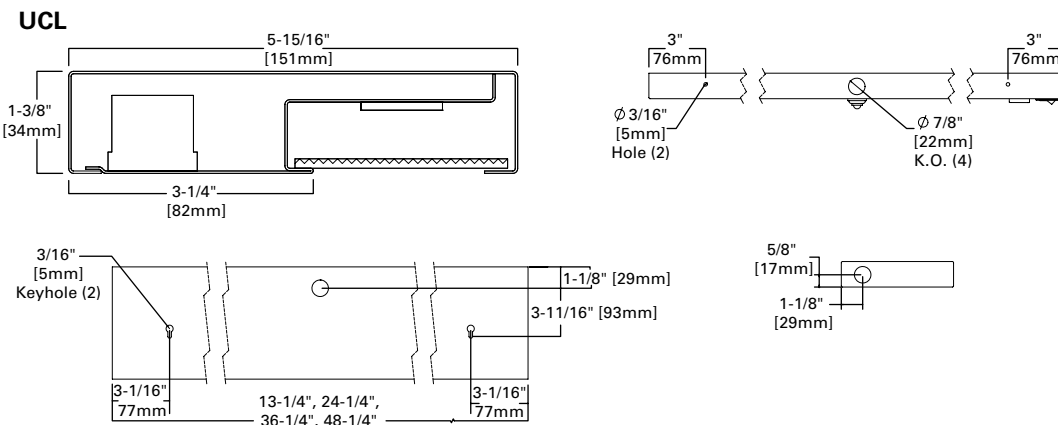
Product Features



Top Product Features

- Available 1' to 4' lengths, in 1' increments
- 750 nominal lumens per linear foot
- Acrylic and polycarbonate shielding choices
- UCLV With captive lens, and tamper resistant hardware standard
- Stainless steel and aluminum construction, and anti-microbial paint available
- UL listed for damp locations. IP63 available for UCLV
- Options to meet Buy American Act requirements
- **10 day rapid ship available**

Dimensional and Mounting Details



UCLV dimensional, mounting details on page 3.

[additional product diagrams](#)

Order Information

SAMPLE ORDER NUMBER: **UCL-2-LD4-35-A12125-EDC1-UNV-ALH**

10 DAY RAPID SHIP SAMPLE NUMBER: **UCL-2-LD4-40-89AH-EDC1-UNV-RS**

"Shaded options denote 10 day rapid ship"

Domestic Preferences	Series	Fixture Length	LED Type	Color Temperature	Lens	Driver	Voltage
Blank =Standard BAA =Buy American Act	UCL =Undercabinet, LED UCLV =Undercabinet LED, Captive Lens	1=1' Length 2=2' Length 3=3' Length 4=4' Length	LD4 =LED Version 4.0	30=3000K 35=3500K 40=4000K 50=5000K	A12125 =Acrylic Pattern 12, 0.125" Thick 89AH =Polycarbonate Pattern 12, 0.125" Thick 81 =Polycarbonate, Pattern 12, 0.156" Thick 82 =Polycarbonate, Pattern 12, 0.187" Thick 89BW =Acrylic, Opal Smooth, 0.125" Thick 89AM =Polycarbonate, Opal Smooth, 0.125" Thick	EDC1 =Electronic Driver, Single Circuit, Non-Dimming ⁽⁵⁾ EDD1 =Electronic Driver, Single Circuit, 0-10V Dimming, 10% ED1D1 =Electronic Driver, Single Circuit, 0-10V Dimming, 1%	UNV =120-277
Notes (8) Only product configurations with this designated prefix are built to be compliant with the Buy American Act of 1933 (BAA). Please refer to DOMESTIC PREFERENCES website for more information. Components shipped separately may be separately analyzed under domestic preference requirements.						Notes (5) Standard "EDC1" driver, low voltage leads not connected to driver. "EDD1" and "ED1D1" driver, low voltage leads connected to driver.	

Options

Options
GLR =Fuse and Holder ALH =Aluminum Housing and Reflector, Powder Coat Painted White SHN =Stainless Steel, Housing and Reflector, Brushed Natural Finish on Exterior SHP =Stainless Steel, Housing and Reflector, Powder Coat Painted White OS =Occupancy Sensor, Passive Infrared Technology (not available on 1' length) ⁽⁶⁾ RSW =Rocker Switch, White. Specify 120V or 277V. 277V RSW is compatible with 230V, 50/60 Hz. ^{(1),(2),(4)} AM =Anti-Microbial Paint, Matte White 6CP =6' Cord with Grounded Plug. (Specify 120V or 277V). (EDC1 only). ⁽²⁾ GCO =Grounded Convenience Outlet ^{(1),(3),(4)} NTP =Non Tamper Proof Screws (Phillips Head Countersunk) - (UCLV only) GSK =Gasketing ⁽⁹⁾ IP63 =IP63 rated, for dust and water ingress protection - (UCLV only) ⁽⁷⁾ 90 =90CRI RS =10 day ship ⁽⁸⁾
Notes (1) Consult factory for compatibility with other options. (2) 6CP option for EDC1 only, it is not compatible with EDD1 or ED1D1 since Cord&Plug cannot address dimming. Must specify 120V or 277V (277V RSW is compatible with 230V, 50/60Hz.) (3) 120V only. (4) UCLV with RSW or GCO not available with IP63. RSW or GCO option on the UCLV will compromise the full vandal resistant feature. (6) Occupancy Sensor is positioned on the front cover on the UCL & UCLV, and maybe subject to abuse. (7) GSK not necessary with IP63. (8) 10 day ship, from date of receipt of clean PO to ship date. 25 unit maximum per PO. RS option is available only with the shaded options. (9) UCL- 2 pieces of gasketing applied to the full length, along the flanges of the housing and wireway cover. The lens (lift & shift) is inverted and rests on the gasket. UCLV-gasketing applied to lens and cover.

Product Specifications

Housing/Cover

- UCL - 20 gauge cold-rolled steel housing. K.O. on back and each end. Keyhole slots for mounting
- UCLV - 20 gauge cold-rolled steel housing with keyhole slots for mounting. K.O. on back and ends for power. Seam-welded cover fits over housing (lens between housing cover). Four counter-sunk holes allow counter-sunk screws to attach cover to housing.

Finish

- Gloss white polyester powder coat standard
- Optional matte-white, anti-microbial powder coat paint available
- Stainless steel brushed or stainless steel painted powder coat white optional

Fasteners

- UCLV incorporates (4) stainless steel counter-sunk tamper proof TORX® T-20 screws which secure housing to back pan. Philips-head screws available.

Lens

- Opal Acrylic and Opal Polycarbonate, 0.125" thick.
- Acrylic Pattern 12 and Polycarbonate Pattern 12, 0.125", 0.156" or 0.187" thick.

Electrical/LEDs

- LED's are available in 3000K, 3500K, 4000K or 5000K with minimum 80 CRI
- 90 CRI available
- Nominal 750 lumens per linear foot
- Replaceable LED / driver assembly
- Life is 50,000 hours at 70% lumen maintenance.
- Electronic driver, 0-10V dimming standard

Labels

- UL/cUL listed for damp locations
- UCLV optional IP63 rated.

Warranty

- Five year warranty on LEDs and electrical

Energy and Performance Data

[View IES files](#)

Nominal Length	Nominal Input Watts	Nominal Delivered Lumens*
1' (300mm)	9.55	773.8
2' (600mm)	17.47	1622
3' (900mm)	25.16	2602
4' (1200mm)	49.15	4183

*A12125 Lens

Dimensional and Mounting Details

UCLV

