

## DESCRIPTION

The 15" Terrapin LED provides exceptional aesthetics with impressive strength and is available in 20, 30 or 40 watt lumen packages. Polycarbonate lens, clear or opal, combined with four face plates provides a choice of different styles. Choose a photo control or motion sensor for control. Choose an emergency battery pack to provide egress illumination.

<b>Catalog #</b>		<b>Type</b>
<b>Project</b>		
<b>Comments</b>		<b>Date</b>
<b>Prepared by</b>		

## SPECIFICATION FEATURES

### Housing

Shallow casting is die-cast aluminum. Backplate constructed of 16 gauge aluminum.

### Face Plate Finish

Injection-molded polycarbonate color is matte black standard, matte white painted, or bronze painted. Border paint option is a premium baked-on finish. For custom colors, provide manufacturer paint number, RAL number or color chip.

### Surface Conduit Box Finish

Polyester powder-coat paint applied in a five-stage process, 2.0 mil thickness, and baked on at 400° F. Finish is TGIC, textured, thermoset, polyester powder-coat.

### Mounting

Surface, ceiling or wall. Interior or exterior.

### Gasket

Die-cut closed-cell silicone gasket seals lens to casting. Gasket is secured with adhesive, and locked in place to the back casting. When the casting is not required, the gasket is mechanically attached to the back plate. One gasket seals the fixture.

### Lens

One-piece, injection-molded opal or clear polycarbonate, 0.125" thick. Attached with 4 recessed T20 stainless-steel TORX®-head fasteners. **Lens Lifetime Warranty**, see page 3 for details.

### Decorative Faces

Faceplate consists of high-impact, injection molded, 0.125" minimum thickness, polycarbonate overlay attached to lens with two recessed T20 stainless steel TORX®-head fasteners. Eyelid offers optimal

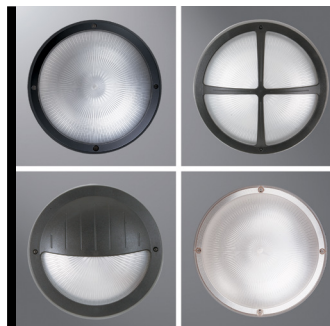
lamp shielding. Open face is lens for continuous radial light pattern. Border face utilizes the standard open lens with paint on the border, eliminating backlit halo effect.

### Electrical

LED driver is mounted to the backpan for optimal thermal management. High efficiency LED mounted to circuit board. 70% lumen maintenance at 50,000 hours when operated in an environment as noted on the Maximum Ambient Operating/Option Matrix on the following page.

### Labels

UL/cUL listed for wet locations, ceiling or wall mount. IP65 rated. Available to mount on combustible or non-combustible surfaces. Options to meet Buy American Act requirements.



## TR 15 LED

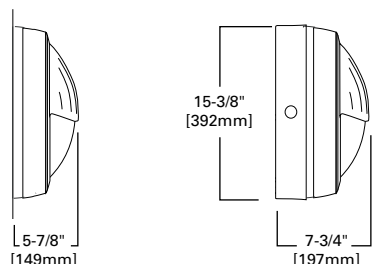
### LD4 LED

15" Round  
Terrapin LED  
High Abuse  
Polycarbonate

CEILING/WALL



## MOUNTING



FLAT

SHALLOW CASTING (CSTG)

		Delivered Lumens				
Wattage		TRO15	TRB15	TRR15	TRF15	TRE15
20	Clear	2945	2460	2585	2340	1245
	Opal	1595	1070	1125	1020	545
30	Clear	3930	3300	3465	3135	1665
	Opal	2125	1425	1500	1355	725
40	Clear	4875	4060	4265	3860	2045
	Opal	2640	1760	1850	1670	865
		<b>Open</b>	<b>Border</b>	<b>Ring</b>	<b>Four Quadrant</b>	<b>Eyelid</b>

Refer to LM-79 data for exact lumen output, input wattage and distribution.

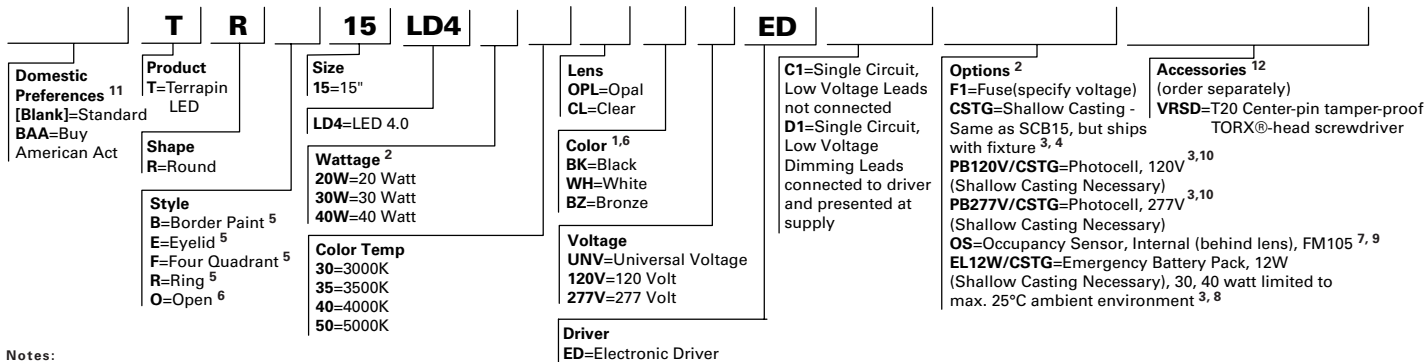
## RATINGS

UL/CUL listed for wet locations  
IP65

TORX® is a registered trademark of Camcar Division of Textron Inc.

ORDERING INFORMATION

SAMPLE NUMBER: TRF15-LD4-20W-40-OPL-BZ-UNV-EDC1-EL12W/CSTG



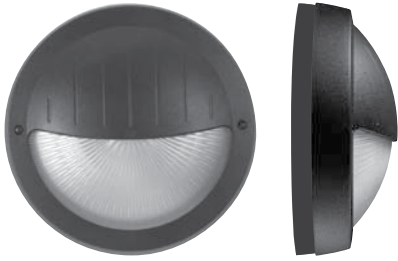
Notes:

1. Custom colors available. Furnish RAL # or paint manufacturer/model #.
2. See table below for wattage construction/options.
3. When CSTG, PB120/CSTG, PB277/CSTG, EL12W/CSTG is specified, a color must be specified.
4. CSTG has (4) threaded hubs suitable for 1/2" conduit (plugged).
5. Color must be specified.
6. Open lens/style does not require a color to be specified, unless used with a shallow casting (CSTG, PB120/CSTG, PB277/CSTG, EL12W/CSTG).
7. 25C maximum ambient for 40W.
8. 30 and 40 watt limited to max. 25°C ambient environment.
9. OS only functional with 120V or 277V.
10. PB120V/CSTG requires 120V to be specified as fixture voltage, and PB277V/CSTG requires 277V to be specified as fixture voltage.
11. Only product configurations with this designated prefix are built to be compliant with the Buy American Act of 1933 (BAA). Please refer to [DOMESTIC PREFERENCES](#) website for more information. Components shipped separately may be separately analyzed under domestic preference requirements. .
12. Accessories sold separately will be separately analyzed under domestic preference requirements. Consult factory for further information.

Maximum Ambient Operating/Option Matrix

	20W				30W				40W			
	Flat Mount		Shallow Cast		Flat Mount		Shallow Cast		Flat Mount		Shallow Cast	
	Ceiling	Wall	Ceiling	Wall	Ceiling	Wall	Ceiling	Wall	Ceiling	Wall	Ceiling	Wall
No options	40C	40C	40C	40C	40C	40C	40C	40C	40C	40C	40C	40C
Fuse	40C	40C	40C	40C	40C	40C	40C	40C	40C	40C	40C	40C
Photocell	n/a	n/a	40C	40C	n/a	n/a	40C	40C	n/a	n/a	35C	35C
Occ Sensor	40C	40C	40C	40C	25C	25C	25C	25C	25C	25C	25C	25C
Fuse & Photocell	n/a	n/a	40C	40C	n/a	n/a	40C	40C	n/a	n/a	35C	35C
Fuse & Occ Sensor	40C	40C	40C	40C	25C	25C	25C	25C	25C	25C	25C	25C
EM	n/a	n/a	40C	40C	n/a	n/a	25C	25C	n/a	n/a	25C	25C
EM & Fuse	n/a	n/a	40C	40C	n/a	n/a	25C	25C	n/a	n/a	25C	25C
EM & Fuse & Photocell	n/a	n/a	40C	40C	n/a	n/a	25C	25C	n/a	n/a	25C	25C
EM & Fuse & Occ Sensor	n/a	n/a	40C	40C	n/a	n/a	25C	25C	n/a	n/a	25C	25C
EM & Photocell	n/a	n/a	40C	40C	n/a	n/a	25C	25C	n/a	n/a	25C	25C
EM & Occ Sensor	n/a	n/a	40C	40C	n/a	n/a	25C	25C	n/a	n/a	25C	25C

## DESIGN GALLERY

**Eyelid**

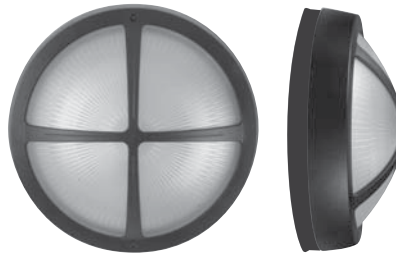
Polycarbonate eyelid/cover attached to lens with tamper resistant screws

**Border (Painted Border)**

Side and edge of lens painted, no front cover

**Ring**

Polycarbonate ring attached to lens with tamper resistant screws

**Four Quadrant**

Polycarbonate cover attached to lens with tamper resistant screws

**Open**

Unpainted lens only. No polycarbonate front cover

## Lens Lifetime Warranty

Fail-Safe will repair or provide a replacement lens for any TR15 lens found to be inoperative due to physical abuse for the duration of the installation under normal conditions.

\*\* To make a claim, contact your Cooper Lighting Agent to arrange an RMA (Return Material Authorization) for the claimed product. Upon receipt and verification of the defect, Cooper Lighting will return to you a repaired or, at Cooper Lighting's sole option, replacement fixture.