

Project		Catalog #		Type	
Prepared by		Notes		Date	



## Fail-Safe

### MRI-R6DNLT/RPS

6" MRI Downlight  
Remote Power Supply

**Typical Applications:**

Healthcare • MRI Suites

#### Interactive Menu

- Order Information page 2
- Component Examples page 3
- Product Warranty

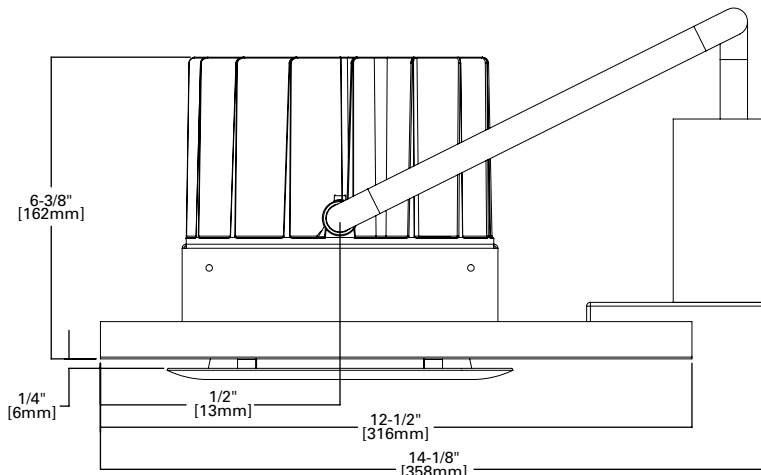
#### Product Certification



#### Top Product Features

- Remote Power Supply
- 1800 Lumens
- Non-Ferrous
- 6" Aperture
- Options to meet Buy American and other domestic preference requirements

#### Dimensional and Mounting Details



## Order Information

SAMPLE ORDER NUMBER: **1. Downlight: MRI-R6DNLT/RPS-40-18-S**  
**2. Remote Power Supply (Remote Driver): MRI-R6DNLT/RPS-RPS2/10-UNV**  
**3. Filter: MRI-R6DNLT/RPS-RFFILTER30A**

### Downlight

Domestic Preferences	Fixture Series	Color Temperature	Lumen Output	Trim Finish
<b>[Blank]</b> =Standard <b>BAA</b> =Buy American Act <b>TAA</b> =Trade Agreements Act	MRI-R6DNLT/RPS=6" Remote Power Supply MRI Downlight	30=3000K 35=3500K 40=4000K	18=1750	<b>S</b> =Specular Clear <b>W</b> =Anti-Microbial, Matte White
<b>Notes</b> (1) Only product configurations with these designated prefixes are built to be compliant with the Buy American Act of 1933 (BAA) or Trade Agreements Act of 1979 (TAA), respectively. Please refer to <a href="#">DOMESTIC.PREFERENCES</a> website for more information. Components shipped separately may be separately analyzed under domestic preference requirements.				

### Remote Power Supply (Remote Driver)

Domestic Preferences	Fixture Series	Driver Output	Voltage	
<b>[Blank]</b> =Standard <b>BAA</b> =Buy American Act <b>TAA</b> =Trade Agreements Act	MRI-R6DNLT/RPS=6" Remote Power Supply MRI Downlight	RPS1/2=1 to 2 Fixture Remote Power Supply <sup>(2)</sup> RPS2/10=2 to 10 Fixture Remote Power Supply <sup>(3)</sup> RPS11/15=11 to 15 Fixture Remote Power Supply <sup>(4)</sup>	UNV=120V-277V	
<b>Notes</b> (1) Only product configurations with these designated prefixes are built to be compliant with the Buy American Act of 1933 (BAA) or Trade Agreements Act of 1979 (TAA), respectively. Please refer to <a href="#">DOMESTIC.PREFERENCES</a> website for more information. Components shipped separately may be separately analyzed under domestic preference requirements.				
<b>Notes</b> (2) RPS1/2 requires 1 filter. (3) RPS2/10 requires 2 filters. (4) RPS11/15 requires 3 filters				

### Filter

Domestic Preferences	Fixture Series	Filter
<b>[Blank]</b> =Standard <b>BAA</b> =Buy American Act <b>TAA</b> =Trade Agreements Act	MRI-R6DNLT/RPS=6" Remote Driver MRI Downlight	RFFILTER30A=RF Facility Filter 30amps
<b>Notes</b> (1) Only product configurations with these designated prefixes are built to be compliant with the Buy American Act of 1933 (BAA) or Trade Agreements Act of 1979 (TAA), respectively. Please refer to <a href="#">DOMESTIC.PREFERENCES</a> website for more information. Components shipped separately may be separately analyzed under domestic preference requirements.		

## Product Specifications

#### Construction

- Non-ferrous construction, absence of UV, and elimination of RF emissions so as to not interfere with the MRI operation, allows the MRI-R6DNLT/RPS system to comply with the MRI vendor requirements for LED lighting.

#### Trim

- Non-ferrous regressed specular clear or anti-microbial matte white trim with diffuse lens for increased visual comfort.

#### Trim Retention

- Two non-ferrous torsion springs securely attach the trim to the housing.

#### Plaster Frame

- Plaster frame constructed of non-ferrous aluminum.

#### Fasteners

- Non-ferrous screws and rivets.

#### Thermal

- Die-cast aluminum, Type 3003-H14, non-ferrous radial top fins for optimal heat dissipation and cool running operation.

#### LED (Light-Emitting Diode)

- Available 3000K, 3500K, and 4000K color temperature. Nominal 85CRI.
- Rated for 50,000 hours at 70% lumen maintenance.
- Color variation within 3-step MacAdam ellipses.

#### Junction Box

- Heavy gauge non-ferrous aluminum with two knock-outs.

#### Driver/Power Supply

- Electronic remote power supply provides power from outside the shielded MRI room, within the remote power supply enclosure.

#### Dimming

- Proprietary low voltage dimming system, included with each remote power supply.

#### Compliance

- Thermally protected and UL/cUL listed.

#### Warranty

- 3-year warranty on LED housings, LED modules, and LED trims.

## Examples of Necessary Components with Different Scenerios

 [View IES files](#)

Downlight Qty.	Remote Power Supply	Filter	Filter Qty.
1-2	MRI-R6DNLT/RPS-RPS1/2-UNV	MRI-R6DNLT/RPS-RFFILTER30A	1
2-10	MRI-R6DNLT/RPS-RPS2/10-UNV	MRI-R6DNLT/RPS-RFFILTER30A	2
11-15	MRI-R6DNLT/RPS-RPS11/15-UNV	MRI-R6DNLT/RPS-RFFILTER30A	3

### Example MRI SUITE: (1) 8-downlight circuit

Qty.	Description	Catalog #
8	Downlight	MRI-R6DNLT/RPS-40-18-S
1	Remote Power Supply	MRI-R6DNLT/RPS-RPS2/10-UNV
2	RF Filter 30AMP	MRI-R6DNLT/RPS-RFFILTER30A

### Example MRI SUITE: (1) 13-downlight circuit and (1) 2-downlight circuit

Qty.	Description	Catalog #
15	Downlight	MRI-R6DNLT/RPS-35-18-W
1	Remote Power Supply	MRI-R6DNLT/RPS-RPS11/15-UNV
1	Remote Power Supply	MRI-R6DNLT/RPS-RPS1/2-UNV
4	RF Filter 30AMP	MRI-R6DNLT/RPS-RFFILTER30A