

Installation Instructions – Fail Safe Slot Recessed Troffer MRI Suite Instruction Sheet

WARNING



Risk of Fire, Electrical Shock, Cuts or other Casualty Hazards- Installation and maintenance of this product must be performed by a qualified electrician. This product must be installed in accordance with the applicable installation code by a person familiar with the construction and operation of the product and hazards involved.



Risk of Fire and Electric Shock- Make certain power is OFF before starting installation or attempting any maintenance. Disconnect power at fuse or circuit breaker.



Risk of Fire- Minimum 90°C supply conductors.

Risk of Burn- Disconnect power and allow fixture to cool before handling or servicing.



Risk of Personal Injury- Due to sharp edges, handle with care.

Must be very careful if power tools are used to install the fixture. Uncontrolled torque setting may lead to thread/gasket damage or lens breakage.

Failure to comply with these instructions may result in death, serious bodily injury and property damage.

DISCLAIMER OF LIABILITY: Cooper Lighting Solutions assumes no liability for damages or losses of any kind that may arise from the improper, careless, or negligent installation, handling or use of this product.

IMPORTANT: Read carefully before installing fixture. Retain for future reference.

NOTICE: These instructions do not claim to cover all details or variations in the equipment, procedure, or process described, or to provide directions for meeting every possible contingency during installation, operation or maintenance. When additional information is desired to satisfy a problem not covered sufficiently for user's purpose, please contact your nearest representative.

NOTICE: Proper grounding is required to insure personal safety. Carefully observe grounding procedure under installation section.

NOTICE: Fixture may become damaged and/or unstable if not installed properly.

Note: Specifications and dimensions subject to change without notice.

GENERAL: Upon receipt of fixture thoroughly inspect for any freight damage, which should be brought to the attention of the delivery carrier. Compare the catalog description listed on the packing slip with the fixture label on the housing to assure you have received the correct merchandise.

Installation Instructions – Fail Safe Slot Recessed Troffer MRI Suite Instruction Sheet

INSTALLATION

1. Turn off the power at the main fuse/breaker box.
2. Carefully open carton and remove fixture from packaging.
3. Locate fixture wireway cover remove tape and slide to remove it. (Figure 1.)
4. Use 0.875 hole for power supply wiring.

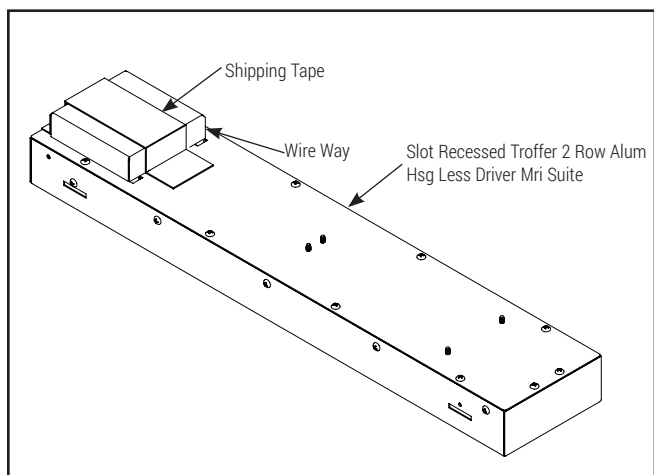


Figure 1.

5. Remove Tape to access Wire Way. (Figure 2.)

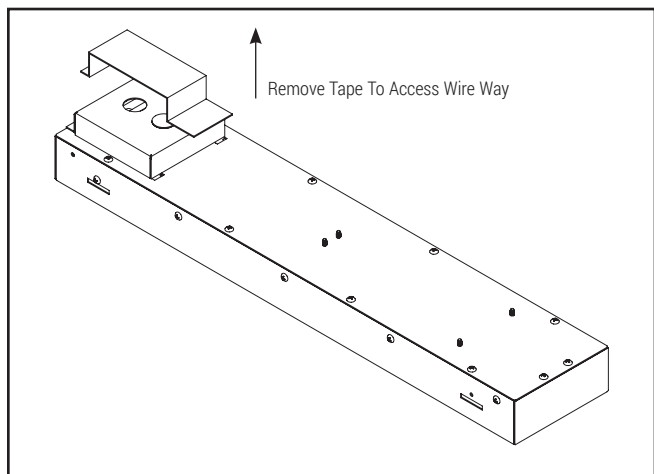


Figure 2.

6. Remove Wire Way To Access Accessories. (Figure 3.)

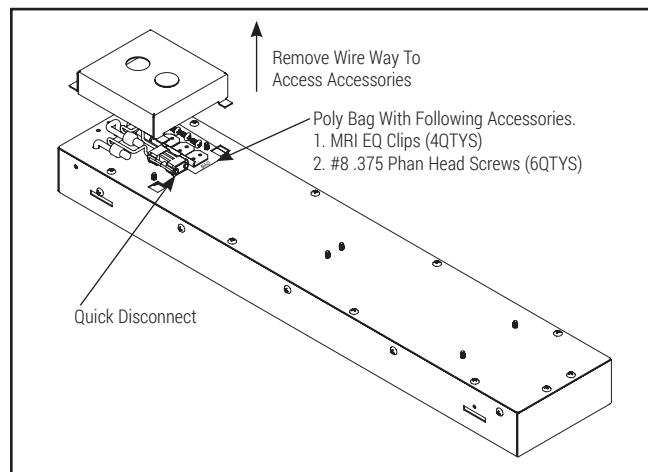


Figure 3.

7. Install MRI EQ clips all 4 sides of the housing with provided slots and secure to housing with #8 screws provided in part bag. (Figure 3.)

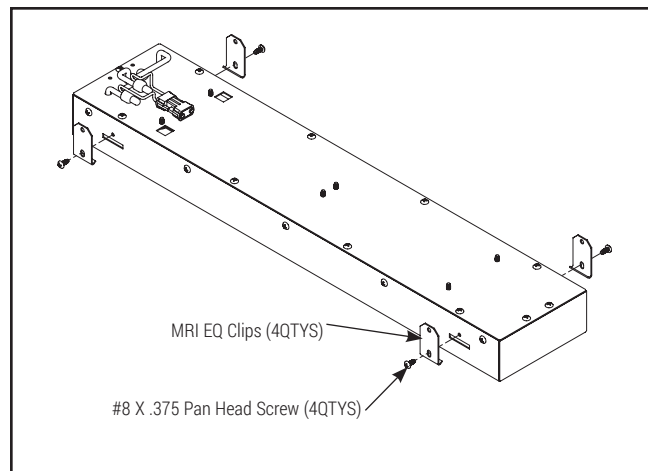


Figure 4.

Installation Instructions – Fail Safe Slot Recessed Troffer MRI Suite Instruction Sheet

8. Pass fixture through the grid at 45 degree angle and lay fixture into the grid (Figure 5.)

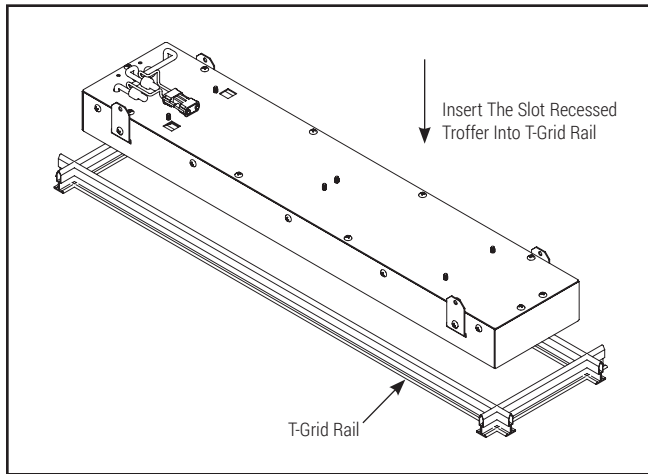


Figure 5.

9. Connect QD with Blue and Red wire passing through Flex cable and connect male and female connectors (Figure 6.)

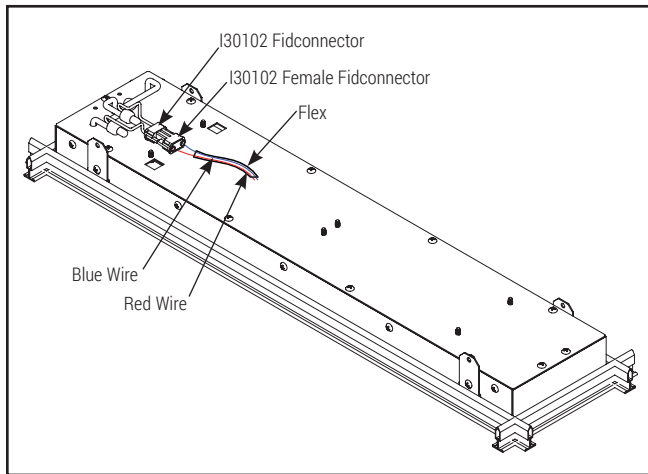


Figure 6.

10. Using the open knockout in Wire Way bring the supply line and Fix Wire way to Back plate with screws (Figure 7.)

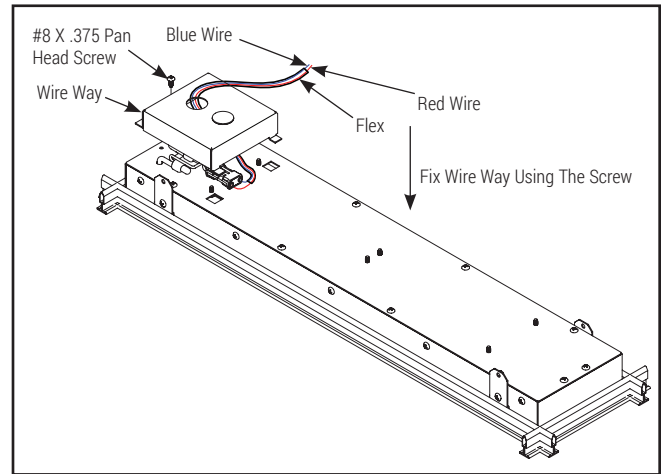


Figure 7.

11. Connect Wire\Cable with EQ clip to secure fixture in the upper Plenum (Figure 8.)

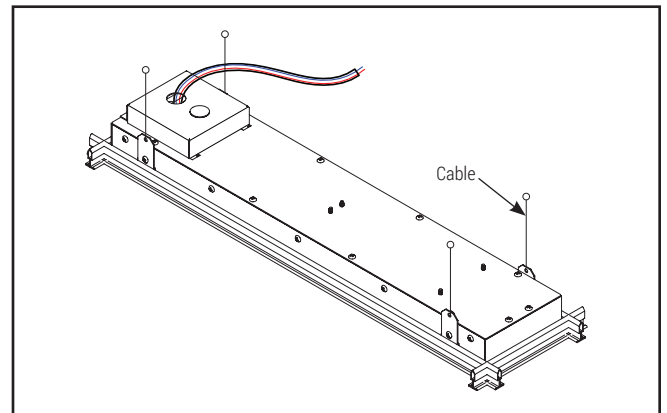


Figure 8.

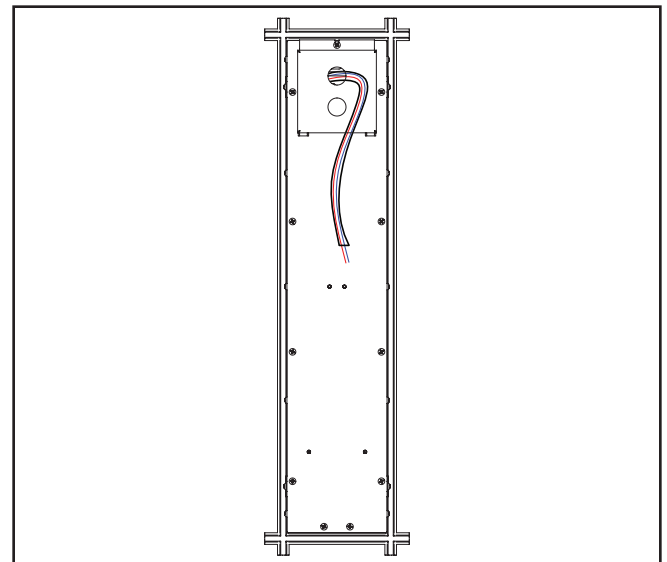


Figure 9.

Installation Instructions – Fail Safe Slot Recessed Troffer MRI Suite Instruction Sheet

FIELD WIRING INSTRUCTIONS

DRIVE DETAILS

LUMINAIRE DETAILS

MRI driver mounted in box located outside the MRI suite 14 GA wiring required to connect drivers to luminaire

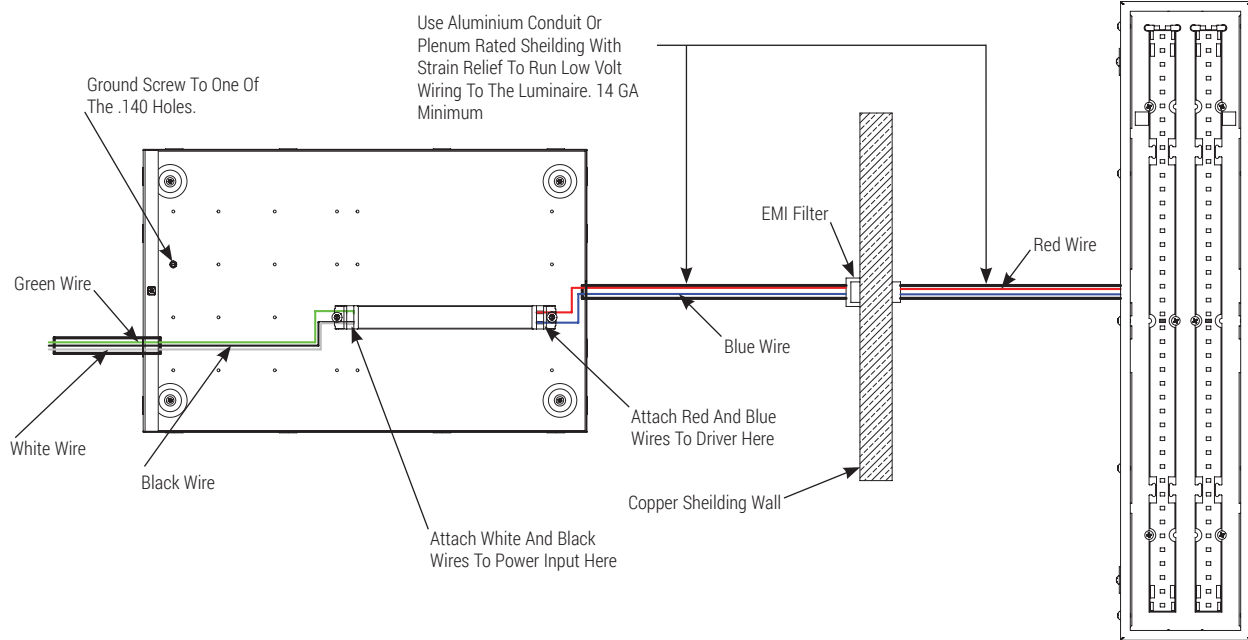


Figure 10.

FIELD WIRING INSTRUCTION-1

Step 1. Attach red and blue wires to the driver.

Step 2. Use Aluminum conduit to attach driver to luminaire using 14GA wiring - supplied by other.

Step 3. Remove wireway cover on the back of luminaire.

Step 4. Install the red and blue wiring in the female end of the quick disconnect.

Step 5. Re-install the wireway cover and install the 2 Aluminum 8-32 screws provided to secure in place. Take care not to strips screw holes or screw threads.

Note: Contractor to supply 1/2" Aluminum conduit or 14GA plenum rated solid wire with strain relief and connectors 14GA minimum wire rated for 75ft maximum distance from driver box to fixture.

Installation Instructions – Fail Safe Slot Recessed Troffer MRI Suite Instruction Sheet

FIELD WIRING INSTRUCTIONS

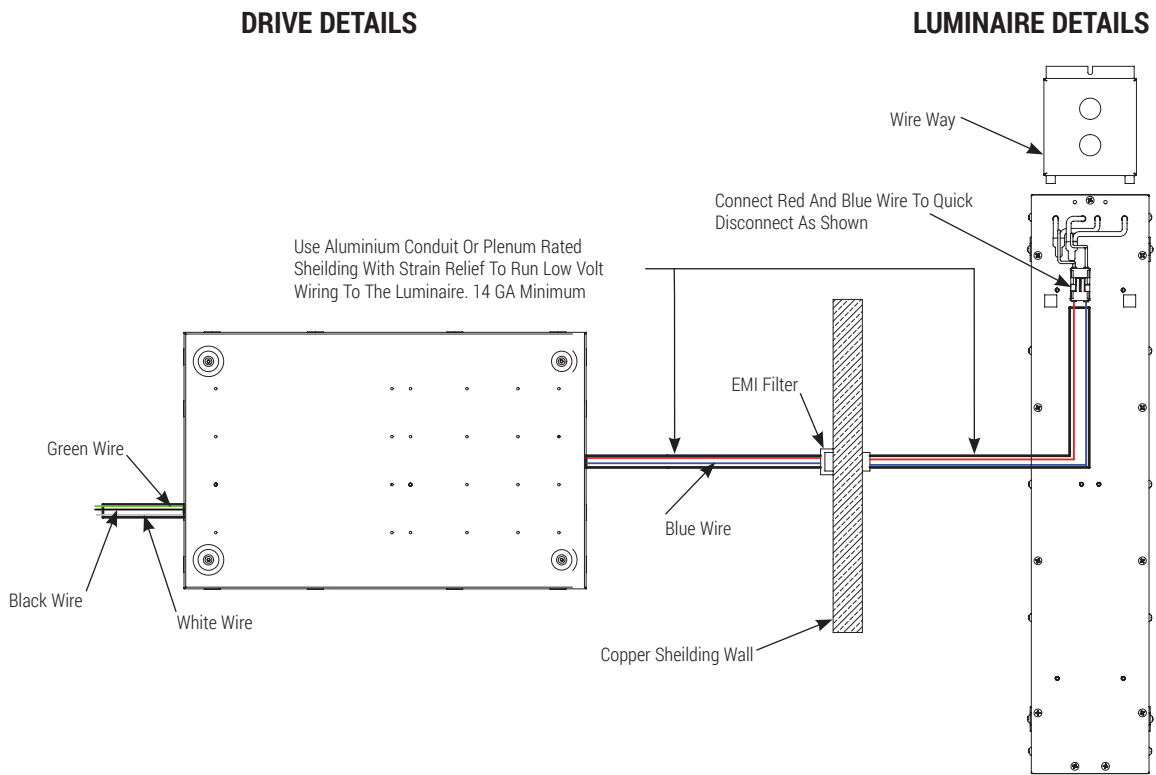


Figure 11.

Note: Contractor to supply 1/2" aluminum conduit or 14GA plenum rated Solid wire with strain relief.

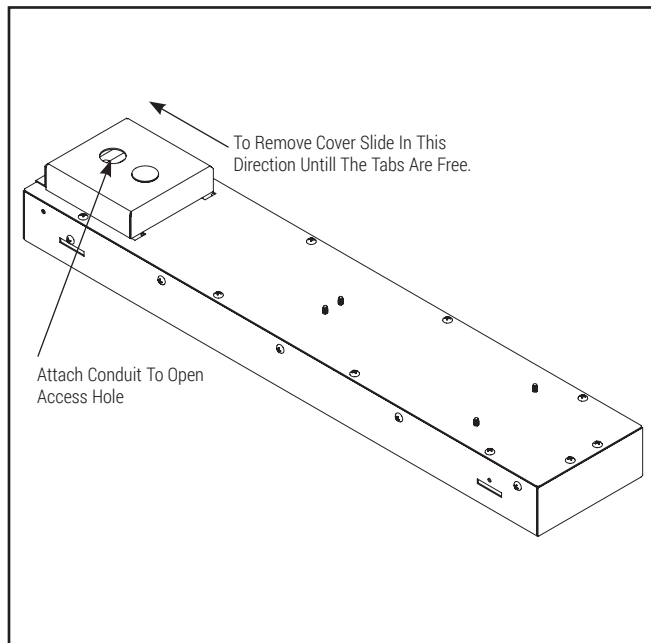


Figure 12.

FCC Statement

Note: This equipment has been tested and found to comply with the limits for a Class A digital device, pursuant to part 15 of the FCC Rules. These limits are designed to provide reasonable protection against harmful interference when the equipment is operated in a commercial environment. This equipment generates, uses, and can radiate radio frequency energy and, if not installed and used in accordance with the instruction manual, may cause harmful interference to radio communications. Operation of this equipment in a residential area is likely to cause harmful interference in which case the user will be required to correct the interference at his own expense.

Énoncé de la FCC

Remarque : Cet équipement a été mis à l'essai et déclaré conforme aux limites établies pour un dispositif numérique de classe A en vertu de l'article 15 des règlements de la FCC. Ces limites sont conçues pour assurer une protection raisonnable contre tout brouillage nuisible lorsque l'équipement fonctionne dans un environnement commercial. Cet équipement produit, utilise et peut émettre de l'énergie radioélectrique et, s'il n'est pas installé et utilisé conformément aux instructions, il peut créer des parasites nuisibles aux communications radio. L'utilisation de cet équipement dans une installation résidentielle est susceptible de provoquer des interférences nuisibles, auquel cas l'utilisateur devra corriger ces interférences à ses propres frais.

Declaración de la FCC

Nota: Este equipo ha sido probado y cumple con los límites para un dispositivo digital de Clase A, de conformidad con la parte 15 de las Normas de la FCC. Estos límites están diseñados para proporcionar una protección razonable contra interferencias perjudiciales cuando el equipo se opera en un entorno comercial. Este equipo genera, utiliza y puede emitir energía de radiofrecuencia y, si no se instala y utiliza de acuerdo con el manual de instrucciones, puede causar interferencias perjudiciales en las comunicaciones de radio. El funcionamiento de este equipo en un área residencial puede causar interferencias perjudiciales, en cuyo caso el usuario deberá corregir las interferencias por su cuenta.

Warranties and Limitation of Liability

Please refer to www.cooperlighting.com for our terms and conditions.

Garanties et limitation de responsabilité

Veillez consulter le site www.cooperlighting.com pour obtenir les conditions générales.

Garantías y Limitación de Responsabilidad

Visite www.cooperlighting.com para conocer nuestros términos y condiciones.

Cooper Lighting Solutions
1121 Highway 74 South
Peachtree City, GA 30269
P: 770-486-4800
www.cooperlighting.com

Canada Sales
5925 McLaughlin Road
Mississauga, Ontario L5R 1B8
P: 905-501-3000
F: 905-501-3172

© 2020 Cooper Lighting Solutions
All Rights Reserved
Printed in USA
Imprimé aux États-Unis
Impreso en los EE. UU.
Publication No. IB519134EN
October 14, 2020

Cooper Lighting Solutions is a registered trademark. All trademarks are property of their respective owners.

Cooper Lighting Solutions est une marque de commerce déposée. Toutes les autres marques de commerce sont la propriété de leur propriétaire respectif.

Cooper Lighting Solutions es una marca comercial registrada. Todas las marcas comerciales son propiedad de sus respectivos propietarios.

Product availability, specifications, and compliances are subject to change without notice

La disponibilité du produit, les spécifications et les conformités peuvent être modifiées sans préavis

La disponibilidad de productos, las especificaciones y los cumplimientos están sujetos a cambio sin previo aviso

