

|             |  |           |  |      |  |
|-------------|--|-----------|--|------|--|
| Project     |  | Catalog # |  | Type |  |
| Prepared by |  | Notes     |  | Date |  |



# Fail-Safe

## HVSL8 | HVSL12 | HVSL8/B

Vandal Resistant / High Abuse  
Steel Housing  
Polycarbonate Lens

### Typical Applications

Stairwells • Schools • Gymnasium • Hospitals • Corridors • Dormitories • Public restrooms • Common areas • Transit stations • Behavioral health facilities

### Interactive Menu

- Order Information [page 2](#)
- Product Specifications [page 2](#)
- Nominal Input Watts/Delivered Lumens [page 3](#)
- Product Warranty

### Top Product Features

- Opal or clear high impact polycarbonate lens
- 8" and 12" width
- 2', 4', and 8' lengths
- Continuous row utilizing end KO's
- Integral occupancy sensor or external occupancy sensor
- Options to meet Buy American Act requirements
- **10 day rapid ship available**

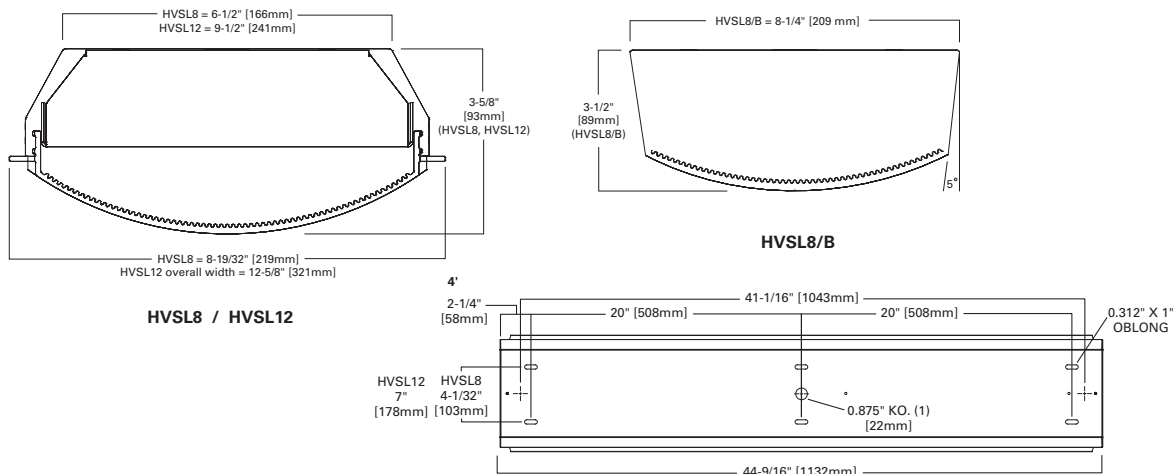
### Product Certification



### Product Features



### Dimensional and Mounting Details



(8' unit consists of (2) 4' units, attached at the factory)

## Order Information

SAMPLE NUMBER: **HVSL8-4-LD4-2STD-40-UNV-C-EDC1**

SAMPLE NUMBER: **HVSL8/B-2-LD4-2LO-35-UNV-C-EDD1**

10 DAY RAPID SHIP SAMPLE NUMBER: **HVSL8-4-LD4-3STD-40-UNV-O-EDC1-RS**

"Shaded areas denote 10 day rapid ship"

| Domestic Preferences   | Product Family  | Length   | LED Type                     | Number of LED Modules  | Illumination Level  | Color Temperature  | Voltage  | Lens Type   | Driver  |
|--|---|--|------------------------------|--|---|--|--|---|---|
| Domestic Preferences <sup>(1)</sup>  | Product Family  | Length   | LED Type                     | Number of LED Modules  | Illumination Level  | Color Temperature  | Voltage  | Lens Type   | Driver  |
| <b>[Blank]</b> =Standard<br><b>BAA</b> =Buy American Act   | <b>HVSL8</b> =8" Wide<br>HVSL Linear Steel 2', 4' & 8' Lengths<br><b>HVSL8/B</b> =8" Wide Behavioral Health, 2', 4' & 8' Lengths<br><b>HVSL12</b> =12" Wide HVSL Linear Steel 2', 4' & 8' Lengths | <b>2=2'</b> Length<br><b>4=4'</b> Length<br><b>8=8'</b> Length <sup>(2)</sup>                        | <b>LD4</b> =LED, Version 4.0 | <b>1=(1)</b> LED Module in Cross Section<br><b>2=(2)</b> LED Modules in Cross Section<br><b>3=(3)</b> LED Modules in Cross Section | <b>LO</b> =Low<br><b>STD</b> =Standard<br><b>HI</b> =High <sup>(3)</sup>  | <b>30</b> =3000K Kelvin<br><b>35</b> =3500K Kelvin<br><b>40</b> =4000K Kelvin<br><b>50</b> =5000K Kelvin | <b>UNV</b> =120V-277V <sup>(4)</sup>                 | <b>O</b> =Opal Polycarbonate (ribbed inside)<br><b>C</b> =Clear Polycarbonate (ribbed inside) | <b>EDC</b> =Electronic Driver, Non-Dimming <sup>(5)</sup><br><b>EDD</b> =Electronic Driver, 0-10V Dimming, 10% <sup>(5)</sup><br><b>ED1D</b> =Electronic Driver, 0-10V Dimming, 1% <sup>(5)</sup> |
| <b>Notes</b>   |   | <b>Notes</b>   |                              |  | <b>Notes</b>  |  | <b>Notes</b>   |   | <b>Notes</b>  |
| (1) Only product configurations with this designated prefix are built to be compliant with the Buy American Act of 1933 (BAA). Please refer to <a href="#">DOMESTIC PREFERENCES</a> website for more information. Components shipped separately may be separately analyzed under domestic preference requirements. |   | (2) 8 ft. unit consists of (2) 4 ft. housings joined together at the factory with single 8 ft. lens. |                              |  | (3) HVSL8 & HVSL8/B 3HI option not available with emergency battery pack. |  | (4) Sensor options are voltage specific, 120 or 277. |   | (5) Purple and gray low voltage driver leads connected to driver for EDD1, ED1D1, EDD2, ED1D2, EDD3, ED1D3. Not connected for EDC1, EDC2, EDC3.   |

| No. of Circuits  | Options   | Finish  | Accessories   |
|--|---|---|---|
| No. of Circuits  | Options   | Finish  | Accessories (Order Separately) <sup>(12)</sup>  |
| <b>1=1</b> Circuit<br><b>2=2</b> Circuits<br><b>3=3</b> Circuits | <b>OS1</b> =Integrated Motion/Occupancy Sensor (within lens) connected to 1 LED module <sup>(6),(9)</sup><br><b>OS2</b> =Integrated Motion/Occupancy Sensor (within lens) connected to 2 LED modules <sup>(6),(9)</sup><br><b>OSE1</b> =Occupancy Sensor Mounted in End External Box, Connected to One LED Module (box attached to end plate) (FS305) <sup>(6),(8)</sup><br><b>OSE2</b> =Occupancy Sensor Mounted in End External Box, Connected to Two LED Modules (box attached to end plate) (FS305) <sup>(6),(8)</sup><br><b>OSES1</b> =Occupancy Sensor Mounted in Side External Box, Connected to One LED Module (FS505) <sup>(6),(8)</sup><br><b>OSES2</b> =Occupancy Sensor Mounted in Side External Box, Connected to Two LED Modules (FS505) <sup>(6),(8)</sup><br><b>EL7W</b> =7W EM Battery Pack <sup>(7)</sup><br><b>EL10W</b> =10W EM Battery Pack <sup>(7)</sup><br><b>EL14W</b> =14W EM Battery Pack <sup>(7),(13)</sup><br><b>ETRD</b> =Iota Emergency Transfer Relay with dimming control <sup>(11)</sup><br><b>SF1</b> =TORX® T20 Vandal Resistant Screws<br><b>SHP</b> =Stainless Steel Painted Housing<br><b>SHPA</b> =Stainless Steel Painted, all Fabricated Components<br><b>ALH</b> =Aluminum Painted Housing<br><b>ALHA</b> =Aluminum Painted, all Fabricated Components<br><b>IP63</b> =IP63 Compliant <sup>(10)</sup><br><b>RS</b> =10 day ship <sup>(13)</sup> | <b>Blank</b> =Matte White<br><b>BK</b> =Black<br><b>DP</b> =Dark Platinum<br><b>BZ</b> =Bronze<br><br>Custom colors available, with customer provided RAL number. Consult Technical Support for proper catalog logic. | <b>VRSD</b> =T20 Center Pin Tamperproof TORX®-head bit  |
|  | <b>Notes</b>  |   | <b>Notes</b>  |
|  | (6) Sensor options are voltage specific, 120 or 277. (7) HVSL8 & HVSL8/B 3HI option not available with emergency battery pack. (8) External occupancy sensor is damp location listed only. (9) The FM105 occupancy sensor operates at 5.8GHz which may interfere with wireless network signals if they are operating on that same frequency. (10) IP63 not available on HVSL8/B. (11) Used to bypass local control during outage. Must be used in conjunction with UL 1008 device (provided by others). Devices are universal voltage (UNV). 347 not available. (13) 10 day ship, from date of receipt of clean PO to ship date. 25 unit maximum per PO. RS option only available with shaded options. EL14W with rapid ship is only available in 4ft length, 2STD or 2HI.  |   | (12) Accessories sold separately will be separately analyzed under domestic preference requirements. Consult factory for further information. |

## Product Specifications

### Housing

- Heavy duty, 18 ga. steel housing and end caps provide rigid construction
- Stainless-steel and die-formed aluminum available
- End caps provided with 7/8" KO for continuous row mounting
- Pendant mount standard with (2) 7/8" KOs in the housing back (all lengths except 1' and 2'). Stem sets ordered separately as accessory item
- Finished in matte white paint standard. Optional architectural colors available

### Fasteners

- HVSL: Hex-head screws (4) secure the lens to the housing. Stainless steel TORX®T20 (SF1) with center reject pin and allen head with center pin reject screws (SF3) optional
- HVSL/B: Hex-head screws (4) secure the lens to the housing. Stainless steel TORX® with center reject pin and Countersink TORX® tamper resistant screws secure the lens to the housing

### Lens

- One-piece extruded UV stabilized, opal polycarbonate standard.
- Optional clear ribbed polycarbonate
- Unique linear ribbed design provides even light distribution while obscuring lamp image and direct glare
- Internal ribs and smooth exterior reduce dirt build-up and facilitates cleaning
- Nominal lens thickness = 0.135"

### Reflector

- 20 ga. CRS with white high reflectance polyester powder coat finish
- Reflector serves as driver and wireway cover

### Light-Emitting Diode (LED)

- LEDs available in 3000K, 3500K, 4000K and 5000K with minimum 80 CRI.

### Transformer/Driver

- Electronic driver. 0-10V dimming standard

### Compliance

- UL listed for damp locations, wall or ceiling mount
- Wet location under covered ceiling

### Warranty

- Five-year warranty on LEDs and electrical
- Fail-Safe will repair or replace any vandal resistant / high abuse luminaire, that is deemed non-functional due to physical damage to the luminaire exterior housing or polycarbonate lens. The luminaire must be installed correctly, and the warranty does not include any interior component, nor does it include damage due to gunfire, paint, caustic material / chemicals, disastrous or abnormal events.

## Nominal Input Watts/Delivered Lumens

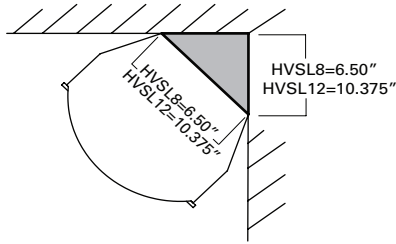
[View IES files](#)

| Fixture           | Length | # Modules In Cross Section | Illumination Level | Nominal Input Watts | Clear Lens               |       | Opal Lens                |       |
|-------------------|--------|----------------------------|--------------------|---------------------|--------------------------|-------|--------------------------|-------|
|                   |        |                            |                    |                     | Nominal Delivered Lumens | LPW   | Nominal Delivered Lumens | LPW   |
| HVSL8<br>(4000K)  | 2      | 1                          | LO                 | 11.5                | 1441                     | 125.3 | 1305                     | 113.5 |
|                   |        | 1                          | STD                | 16.3                | 1856                     | 113.9 | 1681                     | 103.1 |
|                   |        | 1                          | HI                 | 21.5                | 2389                     | 111.1 | 2163                     | 100.6 |
|                   |        | 2                          | LO                 | 23.1                | 2736                     | 118.4 | 2478                     | 107.3 |
|                   |        | 2                          | STD                | 32.7                | 3525                     | 107.8 | 3192                     | 97.6  |
|                   |        | 2                          | HI                 | 43.1                | 4536                     | 105.2 | 4107                     | 95.3  |
|                   |        | 3                          | LO                 | 33.7                | 4315                     | 128   | 3907                     | 115.9 |
|                   |        | 3                          | STD                | 47.8                | 5559                     | 116.3 | 5033                     | 105.3 |
|                   |        | 3                          | HI                 | 63                  | 7153                     | 113.5 | 6477                     | 102.8 |
|                   | 4      | 1                          | LO                 | 23                  | 2882                     | 125.3 | 2609                     | 113.4 |
|                   |        | 1                          | STD                | 32.6                | 3712                     | 113.9 | 3361                     | 103.1 |
|                   |        | 1                          | HI                 | 43                  | 4777                     | 111.1 | 4325                     | 100.6 |
|                   |        | 2                          | LO                 | 46.1                | 5473                     | 118.7 | 4955                     | 107.5 |
|                   |        | 2                          | STD                | 65.4                | 7050                     | 107.8 | 6383                     | 97.6  |
|                   |        | 2                          | HI                 | 86.1                | 9072                     | 105.4 | 8214                     | 95.4  |
|                   |        | 3                          | LO                 | 67.4                | 8630                     | 128   | 7815                     | 115.9 |
|                   |        | 3                          | STD                | 95.5                | 11117                    | 116.4 | 10066                    | 105.4 |
|                   |        | 3                          | HI                 | 125.9               | 14307                    | 113.6 | 12954                    | 102.9 |
| HVSL12<br>(4000K) | 2      | 2                          | LO                 | 23.7                | 2857                     | 120.5 | 2587                     | 109.2 |
|                   |        | 2                          | STD                | 33.6                | 3680                     | 109.5 | 3332                     | 99.2  |
|                   |        | 2                          | HI                 | 44.2                | 4736                     | 107.1 | 4288                     | 97    |
|                   |        | 3                          | LO                 | 34.6                | 4505                     | 130.2 | 4079                     | 117.9 |
|                   |        | 3                          | STD                | 49.1                | 5804                     | 118.2 | 5255                     | 107   |
|                   |        | 3                          | HI                 | 64.7                | 7468                     | 115.4 | 6762                     | 104.5 |
|                   | 4      | 2                          | LO                 | 47.4                | 5714                     | 120.5 | 5174                     | 109.2 |
|                   |        | 2                          | STD                | 67.1                | 7360                     | 109.7 | 6664                     | 99.3  |
|                   |        | 2                          | HI                 | 88.5                | 9472                     | 107   | 8576                     | 96.9  |
|                   |        | 3                          | LO                 | 69.2                | 9011                     | 130.2 | 8159                     | 117.9 |
|                   |        | 3                          | STD                | 98.1                | 11607                    | 118.3 | 10510                    | 107.1 |
|                   |        | 3                          | HI                 | 129.3               | 14937                    | 115.5 | 13525                    | 104.6 |

• Nominal input wattage values include LED voltage, drive currents and typical driver efficiency. Refer to LM 79 data/photometric files for exact delivered lumen values and input wattage. Values in table are nominal values only.  
 • Nominal 15% reduction in delivered lumens when using opal lens.  
 • For 8' fixture delivered lumens, multiply 4' unit by a factor of 2.

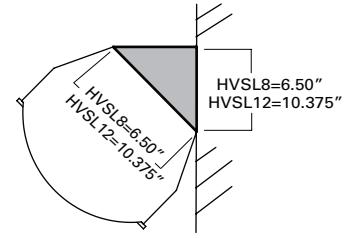
## HVSL8 & HVSL12 Corner Mount Bracket (Accessory)

HVSL8-X-CM/BKT= 8", specify length, (X=1, 2, 3, 4, 8)  
 HVSL12-X-CM/BKT = 12", specify length, (X=1, 2, 3, 4, 8)



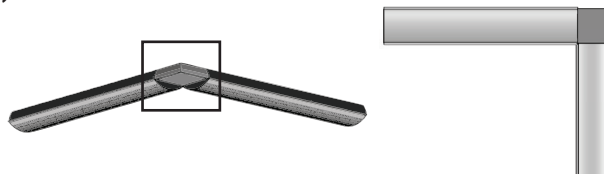
## HVSL8 & HVSL12 Wall Mount Angle Bracket (Accessory)

HVSL8-X-WMAB45= 8", 45 degree, specify length, (X=1, 2, 3, 4, 8)  
 HVSL12-X-WMAB45 =12", 45 degree, specify length, (X=1, 2, 3, 4, 8)



## HVSL8 & HVSL12 Corner Connector (Accessory)

HVSL8-CRNR/CONN=HVSL8 Corner Connector, 90 degree.  
 HVSL12-CRNR/CONN=HVSL12 Corner Connector, 90 degree.

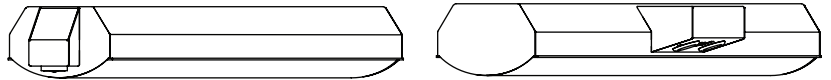


## External Occupancy Sensor (Option)

**OSE**=Occupancy Sensor mounted in external box, (box attached to fixture end plate).

**OSSES**=Occupancy Sensor mounted in external box on side of fixture (box attached to side of fixture).

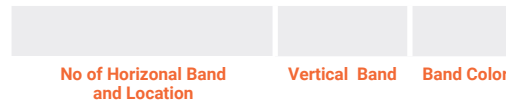
\* Internal occupancy sensor available behind lens, positioned at fixture end. Internal sensor adds 4" to the fixture length. (OS1,OS2).



## Decorative Lens/Bands (Option)

### Ordering Logic (Add to end of fixture catalog #)

Examples: HVSL8-4-LD4-1STD-40-UNV-0-EDC1-1E/BK  
 HVSL12-4-LD4-1STD-40-UNV-0-EDC1-1E/BK



| No of Horizontal band and Location  | Vertical Band      | Band Color                       |
|---|--------------------|----------------------------------|
| 1E=1 Band on End<br>2E=2 Bands on End<br>3E=3 Bands on End<br>1M=1 Band in Middle<br>2M=2 Bands in Middle<br>3M=3 Bands in Middle | 1V=1 Band Vertical | BK=Black<br>BR=Bronze<br>BL=Blue |

**Notes:**

- \*Bands are 3/4" thick
- \*Bands are high durability paint finish
- \*For custom colors, please furnish RAL# or paint manufacturer/catalog number
- \*For other variations or colors not shown, please issue PDR

