

DESCRIPTION

The Fail-Safe G12 LED combines architectural styling, strength, and energy-saving technology, and is available in 15, 20, 25, and 30 watt lumen packages. Also choose a photo control or motion sensor for control. Choose an emergency battery back to provide egress illumination. Injection molded polycarbonate lens obscures lamp image and spreads light evenly. UL/cUL listed for wet locations, IP65 rated.

Typical applications include canopies, corridors, dormitories, public rest rooms, loading docks, locker rooms, schools, behavior health facilities, or anywhere security and safety are of concern. For use on the ceiling or wall, interior or exterior.

Catalog #		Type
Project		
Comments		Date
Prepared by		

SPECIFICATION FEATURES

Fasteners

Four stainless steel TORX®T20 screws with center reject pin. Screw heads are recessed into lens to maximize tamper-resistance. Fasteners are captive and sealed by means of a neoprene O-ring.

Shallow Casting

Die cast aluminum casting. Four 1/4" dia. fasteners for maximum vandal resistance. Four 1/2" NPT conduit entries in sides and one in back of housing.

Gasket

One-piece, die-cut closed cell EPDM mounting gaskets seal entire lens and housing.

Lens

One-piece, injection-molded UV stabilized polycarbonate, minimum 0.130" thick. Prisms are on the inside of the lens providing a smooth outer surface. Available clear or opal.

Reflector/BackPan

16 gauge steel with gloss white high reflectance polyester powder coat finish.

Electrical

LED driver is mounted to the backpan for optimal thermal management. High efficiency LED mounted to circuit board. 70% lumen maintenance at 50,000 hours when operated in an environment as noted on the Maximum Ambient Operating/Option Matrix on the following page.

Labels

UL/cUL listed, standard wet location, ceiling or wall mount IP65 rated. Available to mount on combustible or non-combustible surface. Options to meet Buy American Act requirements.

Warranty

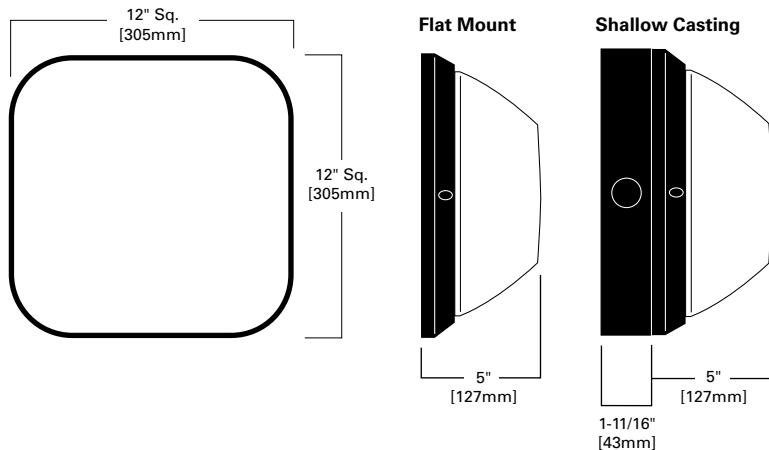
Five year warranty on the LED's and electrical. Lifetime Warranty if fixture found to be inoperative due to physical abuse for the duration of the installation.



G12

LD4 LED
12" Square
15/20/25/30 Watt
Vandal Resistant
IP65

SURFACE
Polycarbonate
Clear Prismatic or Opal Lens



Standard-No Paint

PP=Perimeter Paint

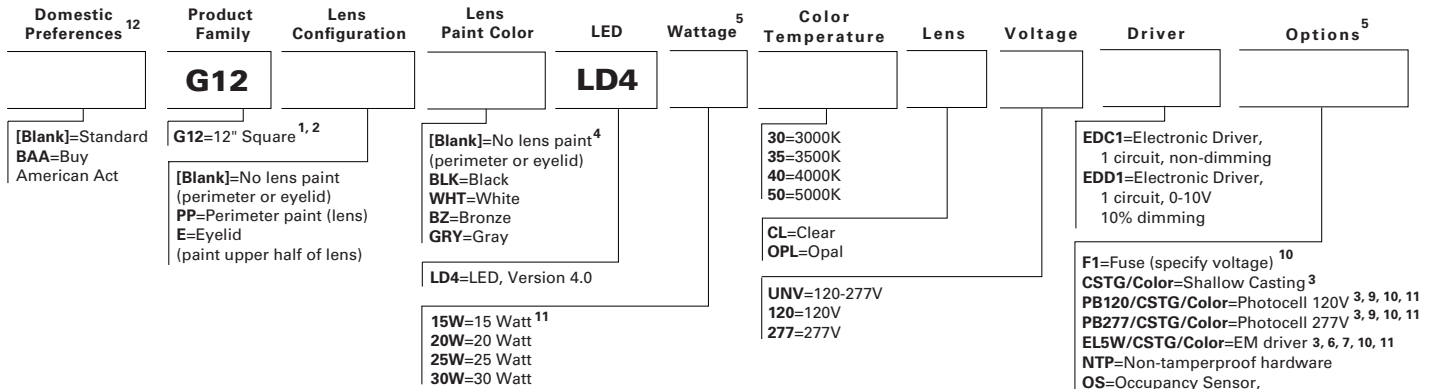
E=Eyelid

Approximate Delivered Lumens			
Wattage		OPEN	EYELID
15	Clear	1700	1125
	Opal	1275	850
20	Clear	2525	1650
	Opal	1850	1250
25	Clear	2650	1750
	Opal	2000	1350
30	Clear	3750	2500
	Opal	2800	1850

Refer to LM-79 data for exact lumen output, input wattage and distribution.

ORDERING INFORMATION

SAMPLE NUMBER: G12-PP-BLK-LD4-15W-35-CL-277-EDD1-EL5W/CSTG/BLK



Notes:

- 1 Default luminaire is flat mount.
- 2 Standard IP65 rated.
- 3 Always specify casting (CSTG) paint color (ie: CSTG/BLK) Examples: PB120/CSTG/GRY = gray casting paint
- 4 For custom colors, specify RAL # or paint manufacturer catalog #.
- 5 See Maximum Ambient Operating/Option Matrix below for option compatibility and wattage/ambient restrictions
- 6 Limited maximum 25°C ambient environment
- 7 Not available for 25W and 30W
- 8 Not available for 30W
- 9 30W limited to maximum 25°C ambient environment
- 10 Specify voltage for Occupancy Sensor, Fuse, & Photocell
- 11 For 15watt with Battery, Occupancy Sensor, or Photocell max ambient 35°C
- 12 Only product configurations with this designated prefix are built to be compliant with the Buy American Act of 1933 (BAA). Please refer to [DOMESTIC PREFERENCES](#) website for more information. Components shipped separately may be separately analyzed under domestic preference requirements.
- 13 Accessories sold separately will be separately analyzed under domestic preference requirements. Consult factory for further information.

Accessories¹³
(Order Separately)

- VRSD=T20 Center-pin tamperproof TORX®-head bit
- VRSB=Vandal Resistant Screw Bit

G12 Maximum Ambient Operating / Option Matrix																
	15W				20W				25W				30W			
	Flat Mount		Shallow Cast		Flat Mount		Shallow Cast		Flat Mount		Shallow Cast		Flat Mount		Shallow Cast	
	Ceiling	Wall	Ceiling	Wall	Ceiling	Wall	Ceiling	Wall	Ceiling	Wall	Ceiling	Wall	Ceiling	Wall	Ceiling	Wall
No options	40C	40C	40C	40C	40C	40C	40C	40C	40C	40C	40C	40C	40C	40C	40C	40C
Fuse	40C	40C	40C	40C	40C	40C	40C	40C	40C	40C	40C	40C	40C	40C	40C	40C
Photocell	n/a	n/a	40C	40C	n/a	n/a	40C	40C	n/a	n/a	40C	40C	n/a	n/a	25C	40C
Occ Sensor	35C	35C	40C	40C	25C	25C	25C	25C	25C	25C	25C	25C	n/a	n/a	n/a	n/a
Fuse & Photocell	n/a	n/a	40C	40C	n/a	n/a	40C	40C	n/a	n/a	40C	40C	n/a	n/a	25C	25C
Fuse & Occ Sensor	35C	35C	40C	40C	25C	25C	25C	25C	25C	25C	n/a	n/a	n/a	n/a	n/a	n/a
EM	n/a	n/a	35C	35C	n/a	n/a	25C	25C	n/a	n/a	n/a	n/a	n/a	n/a	n/a	n/a
EM & Fuse	n/a	n/a	35C	35C	n/a	n/a	25C	25C	n/a	n/a	n/a	n/a	n/a	n/a	n/a	n/a
EM & Fuse & Photocell	n/a	n/a	35C	35C	n/a	n/a	25C	25C	n/a	n/a	n/a	n/a	n/a	n/a	n/a	n/a
EM & Fuse & Occ Sensor	n/a	n/a	35C	35C	n/a	n/a	25C	25C	n/a	n/a	n/a	n/a	n/a	n/a	n/a	n/a
EM & Photocell	n/a	n/a	35C	35C	n/a	n/a	25C	25C	n/a	n/a	n/a	n/a	n/a	n/a	n/a	n/a
EM & Occ Sensor	n/a	n/a	35C	35C	n/a	n/a	25C	25C	n/a	n/a	n/a	n/a	n/a	n/a	n/a	n/a