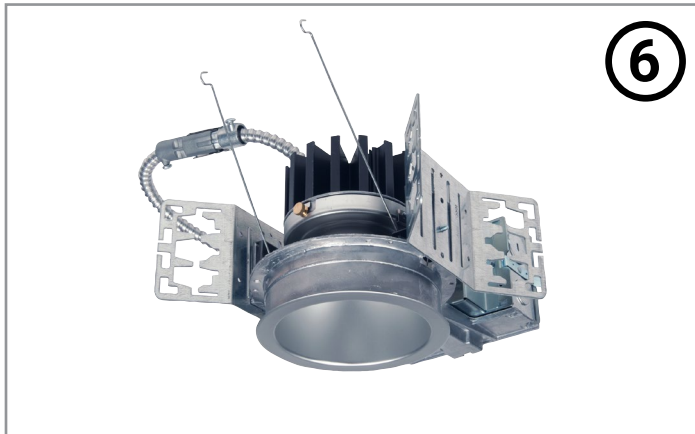


Project		Catalog #		Type	
Prepared by		Notes		Date	



## Fail-Safe

### FLD6C

Vandal Resistant & Sealed/Medical  
6" Round Downlight  
250-12,000 lumens  
Open and Enclosed  
Class 100 (ISO 5-8) / NSF Rated

#### Typical Applications:

Sealed / Medical • Vandal Resistant

#### Interactive Menu

- Order Information page 2
- Energy Data page 6
- Product Specifications page 7
- Product Warranty

#### Top Product Features

- From 250 to 12,000 lumens for design flexibility
- NSF rated for easy cleaning and wipe-down
- ISO 5-8 certified for sterile environment applications
- Wet location standard (under covered ceiling)
- Choice of 6 reflector finishes
- Wall wash available for asymmetric illumination
- Glass, acrylic, or polycarbonate bottom lens available
- Options to meet Buy American and other domestic preference requirements

#### Product Certification

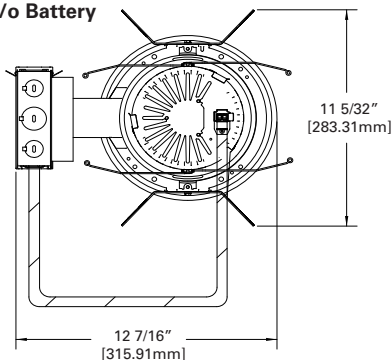


#### Product features

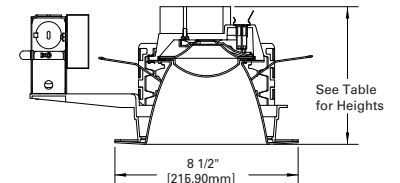
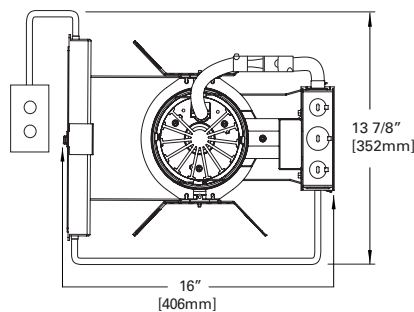


#### Dimensional and Mounting Details

Top View  
w/o Battery



Top View  
w/ Battery



additional product diagrams

## 1. HOUSING


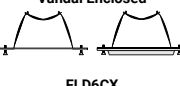


SAMPLE: **FLD6CX-20-D010**

**FLD6CX-40-DE010-IEM14**

**FLD6C-80-1D5LT**

(housing to accept enclosed reflector - 4 brackets - vandal or sealed/medical)

(housing to accept open reflector - no brackets - sealed/medical)

Domestic Preferences	Housing		Lumens		Color Control	
Domestic Preferences <sup>(1)</sup>	Vandal Housing	Sealed/Medical Housing		Lumens <sup>(2)</sup>	Color Control	
<b>[Blank]</b> =Standard <b>BAA</b> =Buy American Act <b>TAA</b> =Trade Agreements Act	<b>Vandal Open</b> <b>FLD6CX</b> =Housing, used with extended flanged reflector <b>FLD6CXCP</b> =Housing, used with extended flanged reflector, Chicago Plenum  <b>Vandal Enclosed</b> <b>FLD6CX</b> =Housing, used with extended flanged reflector <b>FLD6CXCP</b> =Housing, used with extended flanged reflector, Chicago Plenum	<b>Sealed/Medical Open</b> <b>FLD6C</b> =Housing, used with standard flanged reflector <b>FLD6CCP</b> =Housing, used with standard flanged reflector, Chicago Plenum  <b>Sealed/Medical Enclosed</b> <b>FLD6CX</b> =Housing, used with extended flanged reflector <b>FLD6CXCP</b> =Housing, used with extended flanged reflector, Chicago Plenum	<b>02</b> =250 lumens <b>05</b> =500 lumens <b>08</b> =800 lumens <b>10</b> =1000 lumens <b>15</b> =1500 lumens <b>20</b> =2000 lumens <b>25</b> =2500 lumens <b>30</b> =3000 lumens <b>35</b> =3500 lumens <b>40</b> =4000 lumens <b>45</b> =4500 lumens <sup>(3)</sup>	<b>50</b> =5000 lumens <sup>(3)</sup> <b>55</b> =5500 lumens <sup>(3)</sup> <b>60</b> =6000 lumens <sup>(3)</sup> <b>65</b> =6500 lumens <sup>(3)</sup> <b>70</b> =7000 lumens <sup>(3)</sup> <b>75</b> =7500 lumens <sup>(3)</sup> <b>80</b> =8000 lumens <sup>(3)</sup> <b>90</b> =9000 lumens <sup>(3)</sup> <b>100</b> =10000 lumens <sup>(3)</sup> <b>110</b> =11000 lumens <sup>(3)</sup> <b>120</b> =12000 lumens <sup>(3)</sup>	<b>D2W</b> =Dim to warm (blank for all others)	
<b>Notes</b> (1) Only product configurations with these designated prefixes are built to be compliant with the Buy American Act of 1933 (BAA) or Trade Agreements Act of 1979 (TAA), respectively. Please refer to <a href="#">DOMESTIC PREFERENCES</a> website for more information. Components shipped separately may be separately analyzed under domestic preference requirements.	 FLD6CX	 FLD6CX	 FLD6C	 FLD6CX	<b>Notes</b> (2) Nominal Lumens will vary depending on selected color, driver and reflector finish. (3) Product is marked spacing. <a href="#">Reference table on page 7 for the spacing details.</a>	<b>Notes</b> D2W Max. 7000 lumens. Available 800-2500, 3500 to 5000, and 7000 lumens. See power module, next page.
	<b>VANDAL</b>		<b>SEALED/MEDICAL</b>			

Housing Driver	Fixture (Housing) Options	Accessories
<b>D010</b> =0-10V Dimming, 1% to 100%, 120V-277V, up to 7000 lumens <b>1D010</b> =0-10V Dimming, 1% to 100%, 120V, 7500 lumens & above <b>2D010</b> =0-10V Dimming, 1% to 100%, 277V, 7500 lumens & above <b>3D010</b> =0-10V Dimming, 1% to 100%, 347V, dedicated drivers, 800-4000 lumens, 250, 500, 4500 & above use step down transformer <b>1 driver: 250-7000 2 drivers: 7500-12000</b>  <b>DE010</b> =0-10V Dimming, 0% to 100%, 120V-277V, 500-7000 lumens <b>1DE010</b> =0-10V Dimming, 0% to 100%, 120V, 7500 lumens & above <b>2DE010</b> =0-10V Dimming, 0% to 100%, 277V, 7500 lumens & above <b>3DE010</b> =0-10V Dimming, 0% to 100%, 347V, step down transformer, 500-12000 lumens <b>1 driver: 250-7000 2 drivers: 7500-12000</b>  <b>D5LT</b> =Fifth Light® (DALI T6) Logarithmic Dimming, 0% to 100%, 120V-277V, 500-7000 lumens <b>1D5LT</b> =Fifth Light® (DALI T6) Logarithmic Dimming, 0% to 100%, 120V, 7500 lumens & above <b>2D5LT</b> =Fifth Light® (DALI T6) Logarithmic Dimming, 0% to 100%, 277V, 7500 lumens & above <b>3D5LT</b> =Fifth Light® (DALI T6) Logarithmic Dimming, 0% to 100%, 347V, step down transformer, 500-12000 lumens <b>1 driver: 250-7000 2 drivers: 7500-12000</b>  <b>1DL2</b> =Lutron® Hi-Lume Forward Phase Dimming, 1% to 100%, 120V, 800-7500 lumens <b>3DL2</b> =Lutron® Hi-Lume Forward Phase Dimming, 1% to 100%, 347V, step down transformer, 800-7500 lumens <b>1 driver: 800-3500 2 drivers: 4000-7500</b>  <b>DLE</b> =Lutron Ecosystem Dimming, 1% to 100%, 120V-277V, 800-3500 lumens <b>1DLE</b> =Lutron Ecosystem Dimming, 1% to 100%, 120V, 4000-7500 lumens <b>2DLE</b> =Lutron Ecosystem dimming 1% to 100%, 277V, 800-4000-7500 lumens <b>3DLE</b> =Lutron Ecosystem dimming 1% to 100%, 347V, step down transformer, 800-7500 lumens  <b>DE010-W2N-2765</b> =Tunable white 2700-6500K, 0-10V Dimming, 0% to 100%, 120-277V 1000 lumens <b>1DE010-W2N-2765</b> =Tunable white 2700-6500K, 120V, 0-10V Dimming, 0% to 100%, 1500-5000 lumens <b>2DE010-W2N-2765</b> =Tunable white 2700-6500K, 277V, 0-10V Dimming, 0% to 100%, 1500-5000 lumens <b>3DE010-W2N-2765</b> =Tunable white 2700-6500K, 347V with step down transformer, 0-10V Dimming, 0% to 100%, 1000-5000 lumens <b>1 driver: 1000-3500 lumens; 2 drivers: 4000-5000 lumens</b>  <b>DE010-W2N-2050</b> =Tunable white 2000-5000K, 0-10V Dimming, 0% to 100%, 120-277V 1000 lumens <b>1DE010-W2N-2050</b> =Tunable white 2000-5000K, 120V, 0-10V Dimming, 0% to 100%, 1500-5000 lumens <b>2DE010-W2N-2050</b> =Tunable white 2000-5000K, 277V, 0-10V Dimming, 0% to 100%, 1500-5000 lumens <b>3DE010-W2N-2050</b> =Tunable white 2000-5000K, 347V with step down transformer, 0-10V Dimming, 0% to 100%, 1000-5000 lumens <b>1 driver: 1000-3500 lumens; 2 drivers: 4000-5000 lumens</b>  <b>D5LT-W2N-2765</b> =Tunable white 2700-6500K, 120V-277V Fifth Light® (DALI T6) Dimming, 0% to 100%, 120-277V 1000 lumens <b>1D5LT-W2N-2765</b> =Tunable white 2700-6500K, 120V Fifth Light® (DALI T6) Dimming, 0% to 100%, 1500-5000 lumens <b>2D5LT-W2N-2765</b> =Tunable white 2700-6500K, 277V Fifth Light® (DALI T6) Dimming, 0% to 100%, 1500-5000 lumens <b>3D5LT-W2N-2765</b> =Tunable white 2700-6500K, 347V Fifth Light® (DALI T6) Dimming, 0% to 100%, 1000-5000 lumens <b>1 driver: 1000-3500 lumens; 2 drivers: 4000-5000 lumens</b>  <b>D5LT-W2N-2050</b> =Tunable white 2000-5000K, 120V-277V Fifth Light® (DALI T6) Dimming, 0% to 100%, 120-277V 1000 lumens <b>1D5LT-W2N-2050</b> =Tunable white 2000-5000K, 120V Fifth Light® (DALI T6) Dimming, 0% to 100%, 1500-5000 lumens <b>2D5LT-W2N-2050</b> =Tunable white 2000-5000K, 277V Fifth Light® (DALI T6) Dimming, 0% to 100%, 1500-5000 lumens <b>3D5LT-W2N-2050</b> =Tunable white 2000-5000K, 347V with step down transformer Fifth Light® (DALI T6) Dimming, 0% to 100%, 1000-5000 lumens <b>1 driver: 1000-3500 lumens; 2 drivers: 4000-5000 lumens</b>	<b>EMBOD</b> =Bodine® Emergency Module with Remote Test Switch <sup>(10)</sup> <b>EM7</b> =7W Emergency Module with Remote Test Switch <sup>(4), (5), (6)</sup> <b>EM14</b> =14W Emergency Module with Remote Test Switch <sup>(4), (5), (6)</sup> <b>EMBOD</b> =Bodine® Emergency Module with Integral Test Switch <sup>(4), (5)</sup> <b>IEM7</b> =7W Emergency Module with Integral Test Switch <sup>(4), (5)</sup> <b>IEM14</b> =14W Emergency Module with Integral Test Switch <sup>(4), (5)</sup> <b>ETRD</b> =Emergency Transfer Device <sup>(24)</sup>	<b>HSA6</b> =Slope Adapter for 6" Aperture Housing, Specify Slope (HSA6 is not recommended to use with Wall Wash) <b>HB26</b> =C-channel Bar Hanger, 26" Long, Pair <b>HB50</b> =C-channel Bar Hanger, 50" Long, Pair <b>RM22</b> =Wood Joist Bar Hanger, 22" Long, Pair <b>H347</b> =347 to 120V Step Down Transformer, 75VA <b>H347200</b> =347 to 120V Step Down Transformer, 200VA <b>ETRD</b> =Emergency Transfer Device <sup>(24)</sup>
	<b>Notes</b> (4) Not available with Chicago Plenum. (5) ULus listed only. (6) Transfer time from normal to EM power > 1 second.  (24) Used to bypass local control during outage. Must be used in conjunction with UL 1008 device (provided by others)	<b>Notes</b> (7) Accessories sold separately will be separately analyzed under domestic preference requirements. Consult technical support for further information.

## 2. MODULE

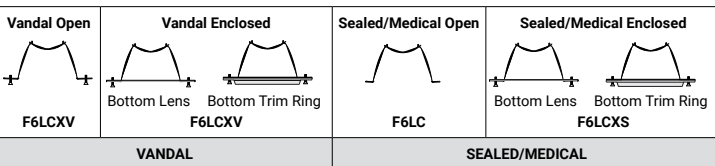
SAMPLE: FEU6C-1025-90-24      SAMPLE: FEU6C-4080-97-27  
 SAMPLE: FEU6C-3545-90-30-D2W      SAMPLE: FEU6C-4050-W2N-90-2050

Domestic Preferences	Power Module	Lumen Levels	CRI	Color
Domestic Preferences <sup>(1)</sup>	Power Module	Lumen Levels <sup>(2)</sup>	CRI	Color
<b>[Blank]</b> =Standard <b>BAA</b> =Buy American Act <b>TAA</b> =Trade Agreements Act	<b>FEU6C</b> =6-inch Universal LED Module	<b>For use with one driver</b> <b>0208IC</b> =250, 500 and 800 lumens, IC Rated (for use with all drivers, min 500 lumens with DE010 and D5LT, min 800 lumens with Lutron) <b>1025</b> =1000, 1500, 2000, 2500 lumens <b>1015IC</b> =1000, 1500 lumens IC Rated <b>3040</b> =3000, 3500, 4000 lumens (for use with Lutron 3000-3500, D010, D5LT and DE010 3000-4000) <b>4560</b> =4500, 5000, 5500, 6000 lumens (for use with D010, D5LT and DE010 4500-6000) <sup>(3)</sup> <b>6570</b> =6500, 7000 lumens (for use with D010, D5LT and DE010) <sup>(3)</sup>  <b>For use with two drivers</b> <b>4080</b> =4000, 4500, 5000, 5500, 6000, 6500, 7000, 7500, 8000 lumens, (for use with Lutron 4000-7500 D010, D5LT & DE010 7500-8000 lumens) <sup>(3)</sup> <b>90120</b> =9000, 10000, 11000, 12000 lumens (D010, D5LT, DE010 to 9000-12000 lumens) <sup>(3)</sup>  <b>Dim 2 Warm</b> <b>0825-90-30-D2W</b> =800-2500 lumen, 90 CRI, Dim 2 Warm (1 driver and 1 LED) <sup>(24)</sup> <b>3545-90-30-D2W</b> =3500-4500 lumen, 90 CRI, Dim 2 Warm (2 drivers and LEDs) <b>70-90-30-D2W</b> =7000 lumens, 90 CRI, Dim 2 Warm (3 drivers and LEDs) <sup>(3)</sup>  <b>Tunable white</b> <b>1030-W2N-90-2765</b> =1000, 1500, 2000, 2500, 3000 lumens, 90 CRI, tunable white 2700K-6500K <sup>(25)</sup> <b>1030-W2N-90-2050</b> =1000, 1500, 2000, 2500, 3000 lumens, 90 CRI, tunable white 2000K-5000K <sup>(25)</sup> <b>35-W2N-90-2765</b> =3500 lumens, 90 CRI, tunable white 2700K-6500K <sup>(3)</sup> <b>35-W2N-90-2050</b> =3500 lumens, 90 CRI, tunable white 2000K-5000K <sup>(3)</sup> <b>4050-W2N-90-2765</b> =4000, 4500, 5000 lumens, 90 CRI, tunable white 2700K-6500K (2 drivers and LEDs) <sup>(3)</sup> <b>4050-W2N-90-2050</b> =4000, 4500, 5000 lumens, 90 CRI, tunable white 2000K-5000K (2 drivers and LEDs) <sup>(3)</sup>	<b>90</b> =90 CRI Minimum <b>97</b> =97 CRI Minimum	<b>90 CRI</b> <b>24</b> =2400K <b>27</b> =2700K <b>30</b> =3000K <b>35</b> =3500K <b>40</b> =4000K <b>50</b> =5000K
<b>Notes</b> (1) Only product configurations with these designated prefixes are built to be compliant with the Buy American Act of 1933 (BAA) or Trade Agreements Act of 1979 (TAA), respectively. Please refer to <a href="#">DOMESTIC PREFERENCES</a> website for more information. Components shipped separately may be separately analyzed under domestic preference requirements.		<b>Notes</b> (2) Nominal Lumens will vary depending on selected color, CRI, driver and reflector finish. Reference IES files (3) Product is marked spacing. <a href="#">Reference table on page 7 for the spacing details.</a> (24) IC rated for 800 lumens. (25) IC rated for 1000 lumens.		Not necessary to specify CRI or Color for Dim 2 Warm and Tunable White from values above, called out within catalog logic, shown at left.

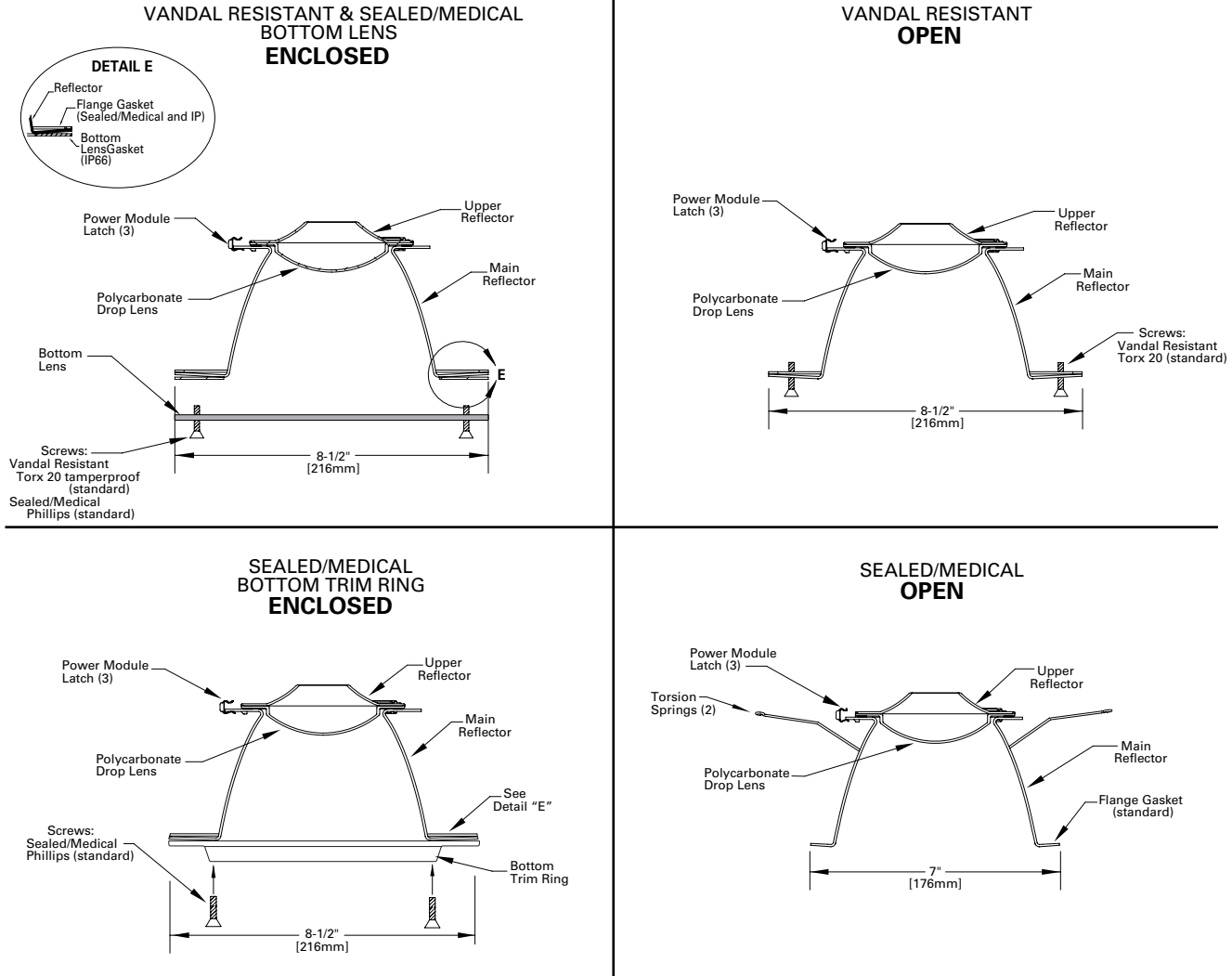
## 3. TRIM/REFLECTOR

SAMPLES: F6LC-M-1-LI (open reflector, sealed/medical)  
 F6LCXV-M-2-H-BL86 (enclosed reflector, vandal, bottom lens, 0.25" clear polycarbonate lens)  
 F6LCXS-M-1-LI-BL89BV (enclosed reflector, sealed/medical, bottom lens, 0.125" smooth clear acrylic lens)

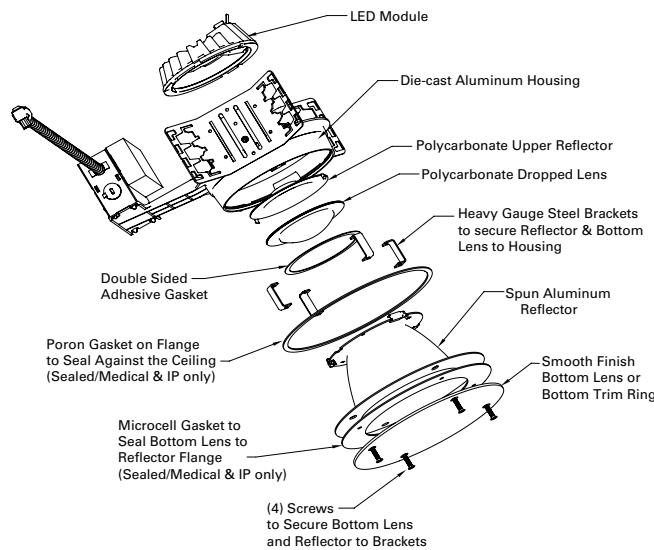
Base Trim	Distribution	Flange	Reflector Finish	Trim Options
Base Trim	Distribution <sup>(11)</sup>	Flange	Reflector Finish	Trim Options
<b>Vandal Resistant</b> <sup>(9)</sup> <b>F6LCXV</b> =(open) <b>F6LCXV</b> =(enclosed)  <b>Sealed/Medical</b> <b>F6LC</b> =(open) <b>F6LCXS</b> =(enclosed)	<b>All Trims</b> <b>M</b> =Medium (50° Beam), Spun Aluminum  <b>Sealed/Medical Open Only (F6LC Only)</b> <b>W</b> =Wide (Sealed/Medical open only) <b>SW</b> =Single Wall Wash Spun Aluminum (not IP rated) (Sealed/Medical open only) <sup>(10),(12)</sup> <b>N</b> =Narrow, Spun Aluminum <sup>(13)</sup> <b>PS</b> =Non-conductive, Shallow (Dead Front) <sup>(16),(17)</sup>	<b>1</b> =Self-flanged <sup>(18)</sup> <b>2</b> =White Painted Self-flanged (not available with bottom trim ring, MW, or AMF reflector finish) (18) Flange is same finish as the reflector	<b>LI</b> =Specular Clear <sup>(20)</sup> <b>H</b> =Semi-Specular Clear <sup>(20)</sup> <b>WMH</b> =Warm Haze <sup>(20)</sup> <b>MW</b> =Matte White <b>AMF</b> =Antimicrobial, Matte White <b>GW</b> =Gloss White <sup>(22)</sup>	<b>E</b> =Integral Emergency Test Switch Hole <sup>(14)</sup> <b>FP</b> =NSF rated, non-food, splash zone <b>HS</b> =High Security (F6LCXV only) <sup>(23)</sup>  <b>Bottom Lens (enclosed only)</b> <sup>(19),(21)</sup> <b>BL84</b> =Bottom lens, 0.125" clear polycarbonate <b>BL85</b> =Bottom lens, 0.187" clear polycarbonate <b>BL86</b> =Bottom lens, 0.250" clear polycarbonate <b>BL89AM</b> =Bottom lens, 0.125" smooth opal polycarbonate <b>BL89BV</b> =Bottom lens, 0.125" smooth clear acrylic  <b>Bottom Trim Ring (enclosed only)</b> <sup>(19),(21),(22)</sup> <b>BTR84</b> =Bottom trim ring with 0.125" clear polycarbonate lens <b>BTR85</b> =Bottom trim ring with .187" clear polycarbonate lens <b>BTR86</b> =Bottom trim ring with 0.250" clear polycarbonate lens <b>BTR89BV</b> =Bottom trim ring with 0.125" smooth clear acrylic lens  *For IP65 and IP66 - Refer to Compatibility Chart on Page 8
<b>Notes</b> (9) Vandal resistant open and enclosed, same trim catalog logic.	<b>Notes</b> (10) Not available with Chicago Plenum. (11) Product is marked spacing and must be installed with the following minimum spacing. Center to center of adjacent luminaires: 36"; Center of luminaire to side of building member: 18" Minimum overhead: 1/2". (12) Not available on Vandal Resistant Open. (13) Use with single LED driver (16) PS available in self-flanged MW finish only (17) Offered up to 2000 lumens	<b>Notes</b> (18) Flange is same finish as the reflector	<b>Notes</b> (20) Anodized or spun reflectors	<b>Notes</b> (14) Only available with medium bottom lens, and bottom trims. Required with all IEMBOD, IEM7, IEM14 housings. (19) For open style, do not specify either Bottom Lens or Bottom Trim. For enclosed units, specify either Bottom Lens or Bottom Trim but not both. (21) Additional lens options for the BL (bottom lens) and BTR (bottom trim ring), available, see Downlight Lens Guide on page 8. (22) Bottom Trim Ring (BTR) is AMF standard. For Gloss White Bottom Trim Ring, specify BTRGW then the lens designation. Example: BTRGW84. (23) HS only available on F6LBXV trim with BTR84, BTR85, or BTR86 bottom trim rings. F6LCXV bottom trim is only compatible with FLD6CX housing.



## Dimensional and Mounting Details



### ENCLOSED BOTTOM LENS or BOTTOM TRIM RING

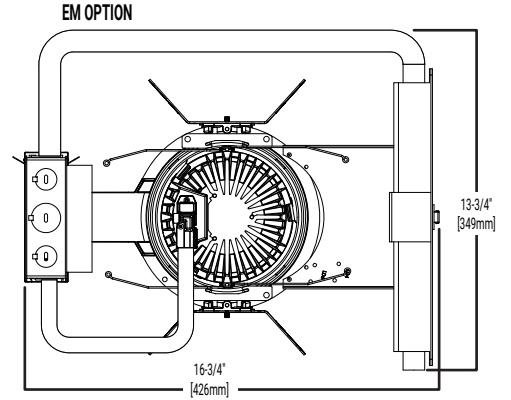
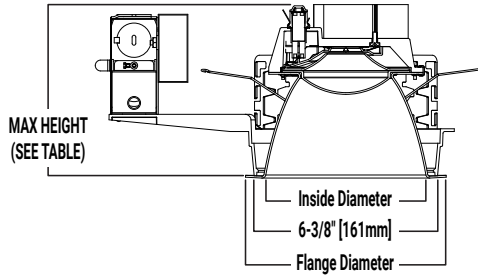
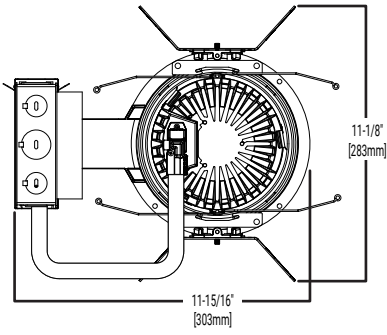


**NOTE:**

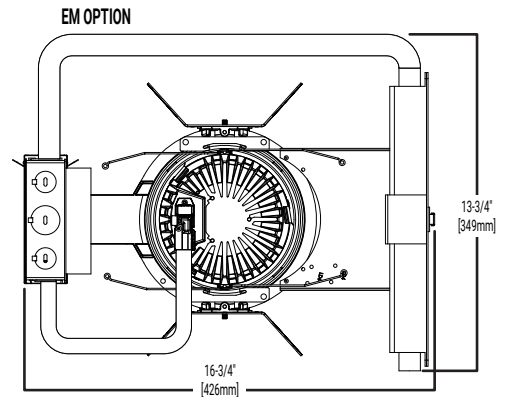
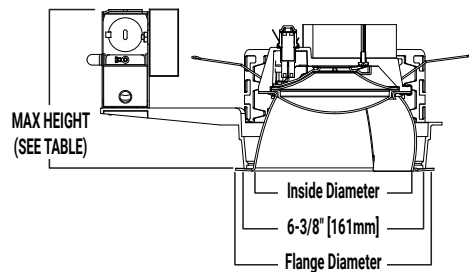
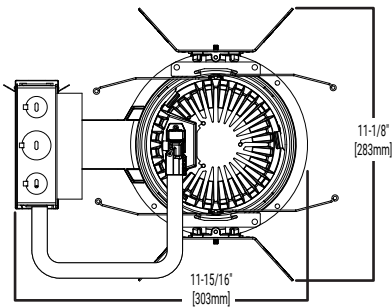
Sealed Medical Regress Lens has gasket on flange to seal against ceiling and is attached to housing with torsion springs.

## Dimensional and Mounting Details

### DOWNLIGHT



### WALL WASH



Trim Type	Flange DIAMETER [IN]	INSIDE DIAMETER [IN]	MAX HEIGHT				
			250-2500 LUMENS	3000-4000 LUMENS	1000-1500IC LUMENS	6500-7000 LUMENS	9000-12000 LUMENS
Narrow	6.94	5.54	5.7	5.9	6.1	7.1	9.1
Medium	6.94	5.54	5.7	5.9	6.1	7.1	9.1
Wide	6.94	5.56	5.6	5.6	5.6	6.2	8.2
Plastic (Dead Front)	6.94	5.66	5.6	5.6	5.6	5.6	6.7
Wall Wash, Single	6.94	5.56	5.6	5.6	5.6	6.2	8.2

## Energy and Performance Data

### D010 DRIVER ENERGY DATA

Series	250 lumen		500 lumen		800 lumen		1000 lumen		1500 lumen		2000 lumen	
Input Voltage 120-277VAC	120V	277V	120V	277V	120V	277V	120V	277V	120V	277V	120V	277V
Input Current (A)	0.029	0.017	0.061	0.032	0.085	0.041	0.084	0.042	0.135	0.063	0.189	0.084
Input Power (W)	3.45	3.87	7.33	7.78	10.15	10.52	10.04	10.43	16.17	16.56	22.58	22.63
In-rush (A)	2.1	8.5	3.7	8.5	3.6	8.3	3.6	8.4	2.3	9.5	2.1	9.7
Inrush duration (µs)	250	131	190	136	220	135	226	136	230	125	243	132
THDi (%)	7.21	16.92	7.82	10.78	5.57	9.63	7.78	9.24	4.75	9.93	8.03	7.44
PF	≥ 0.98	≥ 0.9	≥ 0.99	≥ 0.93	≥ 0.99	≥ 0.95	≥ 0.99	≥ 0.95	≥ 0.99	≥ 0.94	≥ 0.99	≥ 0.96

Series	2500 lumen		3000 lumen		3500 lumen		4000 lumen		4500 lumen		5000 lumen	
Input Voltage 120-277VAC	120V	277V	120V	277V	120V	277V	120V	277V	120V	277V	120V	277V
Input Current (A)	0.276	0.121	0.276	0.041	0.333	0.152	0.404	0.181	0.421	0.192	0.491	0.216
Input Power (W)	32.98	32.57	32	10.52	39.83	39.84	48.38	47.94	50.22	50.17	58.69	58.01
In-rush (A)	2.5	11.8	3.6	8.3	3.1	14.3	3.1	14.5	5.6	22.6	5.6	22.6
Inrush duration (µs)	215	111	220	135	200	94	197	95	215	120	213	135
THDi (%)	9.86	6.57	5.57	9.63	4.25	10.05	5.02	7.97	6.12	8.35	8.51	7.92
PF	≥ 0.99	≥ 0.97	≥ 0.99	≥ 0.95	≥ 0.99	≥ 0.94	≥ 0.99	≥ 0.95	≥ 0.99	≥ 0.95	≥ 0.99	≥ 0.96

Series	5500 lumen		6000 lumen		6500 lumen		7000 lumen		7500 lumen		8000 lumen	
Input Voltage 120-277VAC	120V	277V	120V	277V	120V	277V	120V	277V	120V	277V	120V	277V
Input Current (A)	0.526	0.231	0.542	0.256	0.572	0.266	0.632	0.292	0.668	0.306	0.734	0.332
Input Power (W)	62.97	61.97	64.88	65.7	68.35	69.02	75.56	75.85	79.89	80.09	88.01	87.81
In-rush (A)	5.1	23.1	6.2	27.5	6.3	28.4	6.4	29.1	6.4	28.7	6.3	29.7
Inrush duration (µs)	217	138	188	101	189	92	187	90	185	100	187	123
THDi (%)	9.42	7.16	4.33	11.86	4.38	11.33	4.84	10.32	4.46	9.85	3.92	8.92
PF	≥ 0.99	≥ 0.96	≥ 0.99	≥ 0.93	≥ 0.99	≥ 0.93	≥ 0.99	≥ 0.94	≥ 0.99	≥ 0.94	≥ 0.99	≥ 0.95

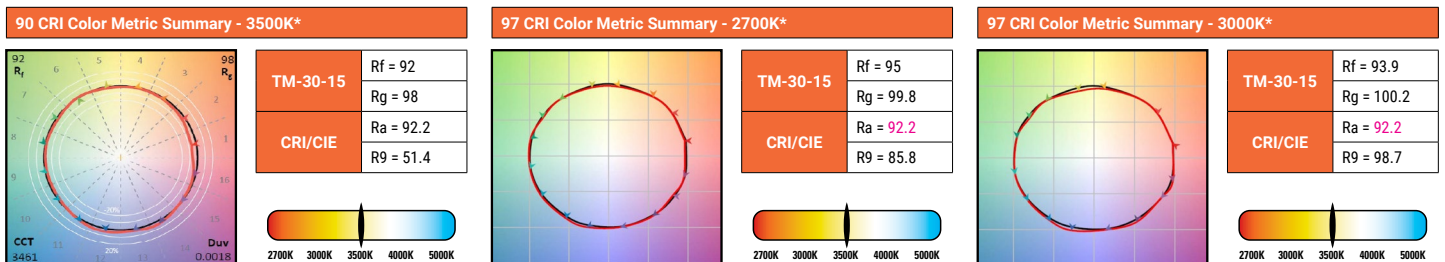
Series	9000 lumen		10000 lumen		11000 lumen		12000 lumen	
Input Voltage 120-277VAC	120V	277V	120V	277V	120V	277V	120V	277V
Input Current (A)	0.842	0.374	0.961	0.416	1.09	0.49	1.192	0.512
Input Power (W)	101.12	99.88	114.86	113.66	130.27	127.6	142.59	140.17
In-rush (A)	12.9	28.6	11.4	40.3	11.5	40.2	11.5	41.2
Inrush duration (µs)	170	97	248	124	233	118	246	114
THDi (%)	5.74	9.28	7.42	8.55	6.08	13.13	5.7	7.3
PF	≥ 0.99	≥ 0.95	≥ 0.99	≥ 0.98	≥ 0.99	≥ 0.9	≥ 0.99	≥ 0.99

Minimum starting temperature -30°C (-22°F)\*  
(Nominal input 120-277VAC & 100% of rated output power)

Sound Rating: Class A standards

**Notes:**  
Emergency Battery packs are rated for a minimum starting temperature of 0°C.

### COLOR METRICS - TM-30-15 & CRI/CIE



\* Color values are based on haze reflector, other finishes and field results may vary.

## Product Specifications

### Lower Shielding Reflector

- Self-flanged, spun .050" thick aluminum lower reflector in combination with a lensed upper optical chamber provides superior lumen output with minimal source brightness.

### Trim Retention

- For sealed/medical and vandal resistant bottom lens and bottom trim ring, the lower reflector is retained with (4) counter sunk screws.
- Sealed/Medical versions utilize Philips head screws. Vandal Resistant versions utilize Torx ® T20 screws with center pin reject.
- Open Sealed/Medical reflector uses torsion springs.
- Bottom Trim Ring is standard anti-microbial matte white paint.

### LED

- High brightness LED's combined with a high reflectance upper reflector and convex lens for even distribution with no pixilation.
- Lumen output shall not decrease by more than 10% over the minimum life of 55,000 hours (L90 > 55,000 hours).
- Auto resetting, thermally protected, LED's turn off when safe operating temperatures exceeded.
- Color variation within 3-step MacAdam ellipses.
- Disconnect allows for tool-less replacement of LED engine from below ceiling.
- Available 80, 90, or 97 CRI.

### Driver

- Combination 120-277V 0-10V or 120V trailing edge phase cut driver provides flicker free dimming from 100% to 10%.
- Optional for 1000-4000 lumens, 1% 0-10V, Fifth Light, or Lutron® Ecosystem. Driver can be serviced from above or through the aperture.

### Lenses

- All versions include a nonremovable upper lens, 0.060" thick frosted polycarbonate.
- Bottom lens is a single, smooth, acrylic or polycarbonate up to 0.250" thick.
- Bottom trim ring lens is acrylic, polycarbonate, or tempered glass up to .0.250" total thickness.
- Additional lens options are available on page 3.

### Code Compliance

- cULus listed for wet locations under covered ceiling standard.
- ISO5-8 certified
- NSF rated.
- Non-IC rated insulation must be kept 3" from top and sides of housing.

### Warranty

- 5 Year Warranty.

## Energy Data

Energy Data
Sound Rating: Class A standards (Values at non-dimming line voltage)
Minimum Starting Temperature: -30°C (-22°F)
EMI/RFI: FCC Title 47 CFR, Part 15, Class B (Consumer)
Input Voltage: UNV (120V - 277V)
Power Factor: >0.90 (at nominal input 120-277 VAC & 100% of Rated Output Power)
Input Frequency: 50/60Hz

Lumens	120V		277V	
	Inrush (A)	Duration (ms)	Inrush (A)	Duration (ms)
1000 Lumen D010	1.02	0.041	2.18	0.021
1500 Lumen D010	1.02	0.042	2.24	0.064
2000 Lumen D010	1.02	0.077	2.43	0.027
3000 Lumen D010	1.15	0.067	3.26	0.027
4000 Lumen D010	1.2	0.088	3.9	0.03
5000 Lumen D010TE	5.1	0.132	10.2	0.153
6000 Lumen D010TE	5.4	0.123	10.8	0.154
7000 Lumen D010TE	4.9	0.13	9.8	0.156

1000 Lumen D010		1500 Lumen D010	
Input Power: 11W	THD: <14%	Input Power: 15.5W	THD: <13%
120V Input Current: 0.09A	277V Input Current: 0.04A	120V Input Current: 0.13A	277V Input Current: 0.06A
2000 Lumen D010		3000 Lumen D010	
Input Power: 21.2W	THD: <9%	Input Power: 27.6W	THD: <10%
120V Input Current: 0.18A	277V Input Current: 0.08A	120V Input Current: 0.23A	277V Input Current: 0.10A
4000 Lumen D010		5000 Lumen D010TE	
Input Power: 41.6W	THD: <13%	Input Power: 57.9W	THD: <14%
120V Input Current: 0.35A	277V Input Current: 0.15A	120V Input Current: 0.49A	277V Input Current: 0.22A
6000 Lumen D010TE		7000 Lumen D010TE	
Input Power: 59.7W	THD: <14%	Input Power: 75.8W	THD: <13%
120V Input Current: 0.50A	277V Input Current: 0.22A	120V Input Current: 0.64A	277V Input Current: 0.29A

## Marked Spacing

6-inch Marked spacing for 90 and 97 CRI			
4500-6000	36	36	6
6500-12,000	36	36	8

 View IES files

## Downlight Lens Guide

Downlight Lens Guide				
Lens	Description	Bottom Trim (BTR) (Total Maximum Lens Thickness is .375")	Bottom Lens (BL) (Single Smooth Acrylic or Polycarbonate Lens Only)	Open
80	Acrylic, Prismatic Pattern 12, 0.125"		N/A	N/A
89AG	Acrylic, Prismatic Pattern 19, 0.156"		N/A	N/A
89BV	Acrylic, Smooth, Clear 0.125"			N/A
89BW	Acrylic, Smooth, Opal 0.125"			N/A
94	Glass, Tempered, Smooth, Clear, 0.187"		N/A	N/A
89AH	Polycarbonate, Prismatic Pattern 12, 0.125"		N/A	N/A
82	Polycarbonate, Prismatic Pattern 12, 0.187"		N/A	N/A
84	Polycarbonate, Smooth, Clear 0.125"			N/A
85	Polycarbonate, Smooth, Clear 0.187"			N/A
86	Polycarbonate, Smooth, Clear 0.250"			N/A
87	Polycarbonate, Smooth, Clear 0.375"			N/A
89AM	Polycarbonate, Smooth, Opal 0.125"			N/A

## Housing, Trim Compatibility and Listings Chart

COMPATABILITY CHART						
	SEALED/MEDICAL			VANDAL RESISTANT		
DIAGRAM						
Description	OPEN	ENCLOSED BOTTOM LENS	ENCLOSED BOTTOM TRIM RING	OPEN	ENCLOSED BOTTOM LENS	ENCLOSED BOTTOM TRIM RING
Housing	FLD6C FLD6CCP	FLD6CX, FLD6CXCP		FLD6CX, FLD6CXCP		
Wet Location	Standard	Standard	Standard	Standard	Standard	Standard
NSF	Available	Available	Available	Not Available	Not Available	Not Available
IP65/66	IP65 Standard	*IP65 Available	IP66 Standard	IP65 available	*IP65 Available	IP66 available
Class100/ISO	Standard	Not Available	Standard	Standard w/IP65	Not Available	Standard w/IP66
Ceiling Cut-Out Dimensions	5.688"- 6.325"	8.000"- 8.186"	8.000"- 8.186"	8.000"- 8.186"	8.000"- 8.186"	8.000"- 8.186"

IP65 & IP66 ratings are from the room-side only on all applications.

**Sealed/Medical ( Bottom Lens)**

\*IP65 available. The sealed medical with bottom lens option is the IP65 compliant open reflector - with an attached bottom lens. During the IP65 test, no dust entered into the reflector from the bottom lens, but a miniscule amount of water did enter (on top of the bottom lens). However, no water can penetrate the upper reflector, and enter into the electrical - and there remains an impenetrable seal between the ceiling and the luminaire.  
For IP65, specify at end of logic. Ex: F6LCXSM1LIBL84/65

**Sealed/Medical (Open & Bottom Trim Ring)**

IP65 or IP66 is standard on open & enclosed bottom trim ring, no need to specify in the ordering logic.

**Vandal Resistant (Open)**

IP65 available  
For IP65, specify at end of logic. Ex: F6LCXVM1LI/65

**Vandal Resistant (Bottom Lens)**

\*IP65 available. The sealed medical with bottom lens option is the IP65 compliant open reflector - with an attached bottom lens. During the IP65 test, no dust entered into the reflector from the bottom lens, but a miniscule amount of water did enter (on top of the bottom lens). However, no water can penetrate the upper reflector, and enter into the electrical - and there remains an impenetrable seal between the ceiling and the luminaire.  
For IP65, specify at end of logic. Ex: F6LCXVM1LIBL85/65

**Vandal Resistant (Bottom Trim Ring)**

IP66 available  
For IP66, specify at end of logic. Ex: F6LCXVM1LIBTR86/66