

Project		Catalog #		Type	
Prepared by		Notes		Date	



Fail-Safe

FLD4C

Vandal Resistant & Sealed/Medical
 4" Round Downlight
 250 to 6000 Lumens
 Open and Enclosed
 Class 100 (ISO5-8) / NSF Rated

Typical Applications:

Healthcare • Behavioral Health • Public Spaces • Education • Restrooms • Patient Rooms • Food Service

Interactive Menu

- Order Information page 2
- Energy Data page 6
- Product Specifications page 7
- Product Warranty

Top Product Features

- From 250 to 6000 lumens for design flexibility
- NSF rated for easy cleaning and wipe-down
- ISO5-8 certified for use in cleanroom/sterile environments
- Wet location standard (under covered ceiling)
- Choice of 6 reflector finishes
- Offered in 90 and 97 CRI
- Glass, acrylic, or polycarbonate bottom lens available
- Options to meet Buy American and other domestic preference requirements

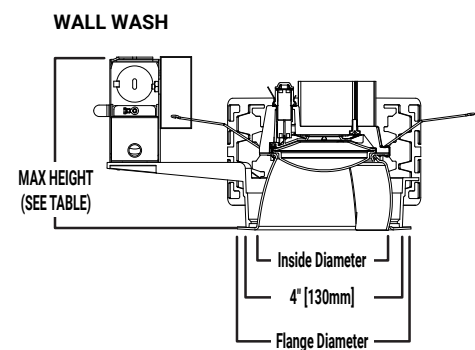
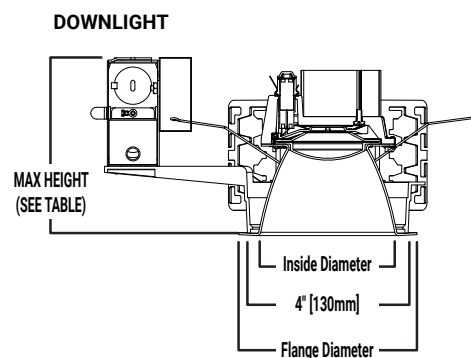
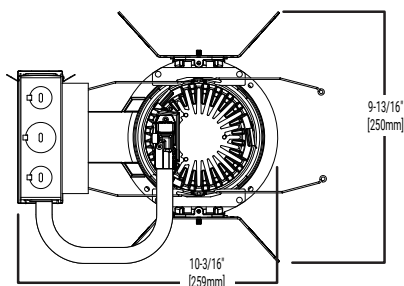
Product Certification



Product Features



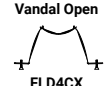
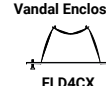
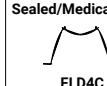
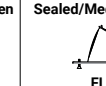
Dimensional and Mounting Details



additional product diagrams

1. HOUSING

SAMPLE: **FLD4CX-15-D010** (housing to accept enclosed reflector - 4 brackets - vandal or sealed/medical)
FLD4C-20-DE010 (housing to accept open reflector - no brackets - sealed/medical)
FLD4C-45-DE010-W2N-2765 (housing to accept open reflector - no brackets - sealed/medical)

Domestic Preferences	Housing		Lumens	Color Control	
Domestic Preferences ⁽¹⁾	Vandal Housing	Sealed/Medical Housing	Lumens ⁽²⁾	Color Control	
[Blank] =Standard BAA =Buy American Act TAA =Trade Agreements Act	Vandal Open FLD4CX =Housing, used with extended flange reflector FLD4CXCP =Housing, used with extended flange reflector, Chicago Plenum Vandal Enclosed FLD4CX =Housing, used with extended flange reflector FLD4CXCP =Housing, used with extended flange reflector, Chicago Plenum	Sealed/Medical Open FLD4C =Housing, used with standard flanged reflector FLD4CXP =Housing, used with standard flanged reflector, Chicago Plenum Sealed/Medical Enclosed FLD4CX =Housing, used with extended flange reflector FLD4CXCP =Housing, used with extended flange reflector, Chicago Plenum	02 =250 lumens 05 =500 lumens 08 =800 lumens 10 =1000 lumens 15 =1500 lumens 20 =2000 lumens 25 =2500 lumens 30 =3000 lumens 35 =3500 lumens 40 =4000 lumens 45 =4500 lumens ⁽³⁾ 50 =5000 lumens ⁽³⁾ 55 =5500 lumens ⁽³⁾ 60 =6000 lumens ⁽³⁾	D2W =Dim to warm (blank for all others)	
Notes (1) Only product configurations with these designated prefixes are built to be compliant with the Buy American Act of 1933 (BAA) or Trade Agreements Act of 1979 (TAA), respectively. Please refer to DOMESTIC PREFERENCES website for more information. Components shipped separately may be separately analysed under domestic preference requirements. Offered with spun aluminum narrow (N), medium (M) and wide (W) trims.	 FLD4CX	 FLD4CX	 FLD4C	 FLD4CX	Notes (2) Nominal Lumens will vary depending on selected color, CRI, driver and reflector finish. Reference Multiplier tables . (3) Product is marked spacing. Reference table on page 7 for the spacing details .
	VANDAL		SEALED/MEDICAL		

Driver	Fixture (Housing) Options	Accessories
Driver	Fixture (Housing) Options	Accessories ⁽²⁵⁾
D010 =0-10V Dimming, 1% to 100%, 120V-277V, up to 6000 lumens 1D010 =0-10V Dimming, 1% to 100%, 120V, 6000 lumens & above 2D010 =0-10V Dimming, 1% to 100%, 277V, 6000 lumens & above 3D010 =0-10V Dimming, 1% to 100%, 347V, dedicated drivers, 800-4000 lumens, 250, 500, 4500 & above use step down transformer DE010 =0-10V Dimming, 0% to 100%, 120V-277V, 500-6000 lumens 1DE010 =0-10V Dimming, 0% to 100%, 120V, 6000 lumens & above 2DE010 =0-10V Dimming, 0% to 100%, 277V, 6000 lumens & above 3DE010 =0-10V Dimming, 0% to 100%, 347V, step down transformer, 500-6000 lumens D5LT =Fifth Light® (DALI T6) Logarithmic Dimming, 0% to 100%, 120V-277V, 500-7000 lumens 1D5LT =Fifth Light® (DALI T6) Logarithmic Dimming, 0% to 100%, 120V, 7500 lumens & above 2D5LT =Fifth Light® (DALI T6) Logarithmic Dimming, 0% to 100%, 277V, 7500 lumens & above 3D5LT =Fifth Light® (DALI T6) Logarithmic Dimming, 0% to 100%, 347V, step down transformer, 250-6000 lumens 1DL2 =Lutron® Hi-Lume Forward Phase Dimming, 1% to 100%, 120V only, 800-6000 lumens 3DL2 =Lutron® Hi-Lume Forward Phase Dimming, 1% to 100%, 347V, step down transformer, 800-6000 lumens DLE =Lutron Ecosystem Dimming, 1% to 100%, 120V-277V, 800-3500 lumens 1DLE =Lutron Ecosystem Dimming, 1% to 100%, 120V, 4000-7500 lumens 2DLE =Lutron Ecosystem dimming 1% to 100%, 277V, 800-4000-7500 lumens 3DLE =Lutron Ecosystem dimming 1% to 100%, 347V, step down transformer, 800-6000 lumens DE010-W2N-2765 =Tunable white 2700-6500K, 0-10V Dimming, 0% to 100%, 120-277V, 1000 lumens 1DE010-W2N-2765 =Tunable white 2700-6500K, 120V, 0-10V Dimming, 0% to 100%, 1500-3500 lumens 2DE010-W2N-2765 =Tunable white 2700-6500K, 277V, 0-10V Dimming, 0% to 100%, 1500-3500 lumens 3DE010-W2N-2765 =Tunable white 2700-6500K, 347V with step down transformer, 0-10V Dimming, 0% to 100%, 1000-3500 lumens 1 driver: 1000-3500 lumens DE010-W2N-2050 =Tunable white 2000-5000K, 0-10V Dimming, 0% to 100%, 120-277V, 1000 lumens 1DE010-W2N-2050 =Tunable white 2000-5000K, 120V, 0-10V Dimming, 0% to 100%, 1500-3500 lumens 2DE010-W2N-2050 =Tunable white 2000-5000K, 277V, 0-10V Dimming, 0% to 100%, 1500-3500 lumens 3DE010-W2N-2050 =Tunable white 2000-5000K, 347V with step down transformer, 0-10V Dimming, 0% to 100%, 1000-3500 lumens 1 driver: 1000-3500 lumens D5LT-W2N-2765 =Tunable white 2700-6500K, 120V-277V Fifth Light® (DALI T6) Dimming, 0% to 100%, 120-277V, 1000 lumens 1D5LT-W2N-2765 =Tunable white 2700-6500K, 120V Fifth Light® (DALI T6) Dimming, 0% to 100%, 1500-3500 lumens 2D5LT-W2N-2765 =Tunable white 2700-6500K, 277V Fifth Light® (DALI T6) Dimming, 0% to 100%, 1500-3500 lumens 3D5LT-W2N-2765 =Tunable white 2700-6500K, 347V Fifth Light® (DALI T6) Dimming, 0% to 100%, 1000-3500 lumens 1 driver: 1000-3500 lumens D5LT-W2N-2050 =Tunable white 2000-5000K, 120V-277V Fifth Light® (DALI T6) Dimming, 0% to 100%, 120-277V, 1000 lumens 1D5LT-W2N-2050 =Tunable white 2000-5000K, 120V Fifth Light® (DALI T6) Dimming, 0% to 100%, 1500-3500 lumens 2D5LT-W2N-2050 =Tunable white 2000-5000K, 277V Fifth Light® (DALI T6) Dimming, 0% to 100%, 1500-3500 lumens 3D5LT-W2N-2050 =Tunable white 2000-5000K, 347V with step down transformer Fifth Light® (DALI T6) Dimming, 0% to 100%, 1000-3500 lumens 1 driver: 1000-3500 lumens	EMBOD =Bodine® Emergency Module with Remote Test Switch ⁽¹⁰⁾ EM7 =7W Emergency Module with Remote Test Switch ^{(4),(6)} EM14 =14W Emergency Module with Remote Test Switch ^{(4),(6),(6)} IEMBOD =Bodine® Emergency Module with Integral Test Switch ^{(4),(6)} IEM7 =7W Emergency Module with Integral Test Switch ^{(4),(6)} IEM14 =14W Emergency Module with Integral Test Switch ^{(4),(6)} ETRD =Emergency Transfer Device ⁽³¹⁾	HSA4 =Slope Adapter for 6" ⁽³⁴⁾ Aperture Housings, Specify Slope HB26 =C-channel Bar Hanger, 26" Long, Pair HB50 =C-channel Bar Hanger, 50" Long, Pair RMB22 =Wood Joist Bar Hanger, 22" Long, Pair H347 =347 to 120V Step Down Transformer, 75VA H347200 =347 to 120V Step Down Transformer, 200VA
	Notes (4) Not available with Chicago Plenum. (5) ULus listed only. (6) Transfer time from normal to EM power > 1 second. (31) Used to bypass local control during outage. Must be used in conjunction with UL 1008 device (provided by others).	Notes (1) Accessories sold separately will be separately analyzed under domestic preference requirements. Consult factory for further information. (34) Not recommended for use with Wall Wash

2. MODULE

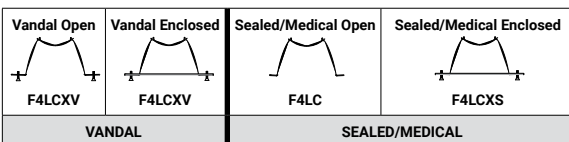
SAMPLE: FEU4C-1020-97-30
 BAA-FEU4C-2540-90-35
 FEU4C-1030-W2N-90-2765

Domestic Preferences	Power Module	Lumen Levels	CRI	Color
Domestic Preferences ⁽¹⁾	Power Module	Lumen Levels ⁽²⁾	CRI	Color
<p>[Blank]=Standard BAA=Buy American Act TAA=Trade Agreements Act</p> <p>Notes (1) Only product configurations with these designated prefixes are built to be compliant with the Buy American Act of 1933 (BAA) or Trade Agreements Act of 1979 (TAA), respectively. Please refer to DOMESTIC PREFERENCES website for more information. Components shipped separately may be separately analysed under domestic preference requirements. Offered with spun aluminum narrow (N), medium (M) and wide (W) trims.</p>	<p>FEU4C=4-inch Universal LED Module</p>	<p>For use with one driver 0208IC=250, 500 and 800 lumens, IC Rated (for use with all drivers, min 500 lumens with DE010 and D5LT, min 800 lumens with Lutron) 1020=1000, 1500, 2000 lumens 1015IC=1000, 1500 lumens IC Rated 2540=2500, 3000, 3500, 4000 lumens (for use with Lutron 3000-3500, D010, D5LT and DE010 3000-4000) 4560=4500, 5000, 5500 lumens (for use with D010, D5LT and DE010 4500-6000) ⁽³⁾</p> <p>For use with two drivers 4060=4000, 4500, 5000, 5500, 6000 lumens, (for use with Lutron 4000-6000, D010, D5LT, and DE010 to 6000 lumens) ⁽³⁾</p> <p>Dim 2 Warm 0825-90-30-D2W=800-2500 lumen, 90 CRI, Dim 2 Warm (1 driver and 1 LED) ⁽³²⁾ 3545-90-30-D2W=3500-4500 lumen, 90 CRI, Dim 2 Warm (2 drivers and LEDs)</p> <p>Tunable white 1030-W2N-90-2765=1000, 1500, 2000, 2500, 3000 lumens, 90 CRI, tunable white ⁽³³⁾ 2700K-6500K 1030-W2N-90-2050=1000, 1500, 2000, 2500, 3000 lumens, 90 CRI, tunable white ⁽³³⁾ 2000K-5000K 35-W2N-90-2765=3500 lumens, 90 CRI, tunable white 2700K-6500K ⁽³⁾ 35-W2N-90-2050=3500 lumens, 90 CRI, tunable white 2000K-5000K ⁽³⁾</p> <p>Notes (32) IC rated for 800 lumens. (33) IC rated for 1000 lumens</p>	<p>90=90 CRI Minimum 97=97 CRI Minimum</p>	<p>90 CRI 24=2400K 27=2700K 30=3000K 35=3500K 40=4000K 50=5000K</p> <p>97 CRI 27=2700K 30=3000K</p> <p>Notes Not necessary to specify CRI and Color with Dim 2 Warm and Tunable White.</p>

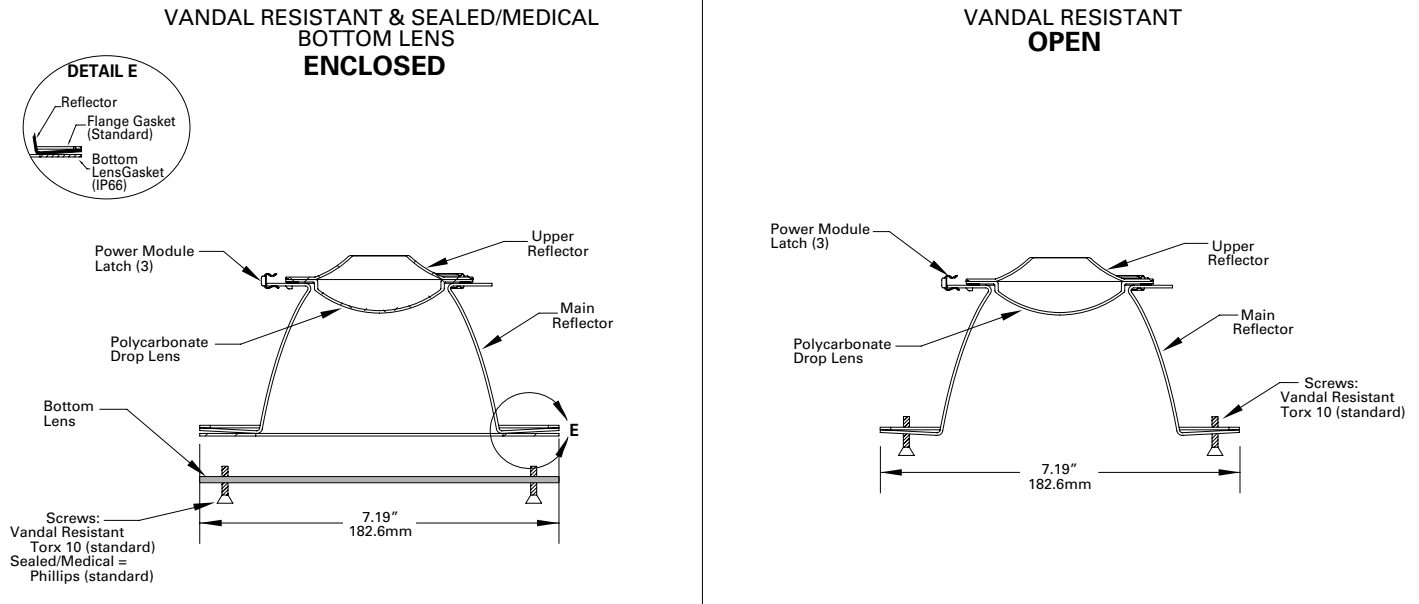
3. TRIM/REFLECTOR

SAMPLES: F4LC-M-2-H
 F4LCXM-M-1-WMH-BL84

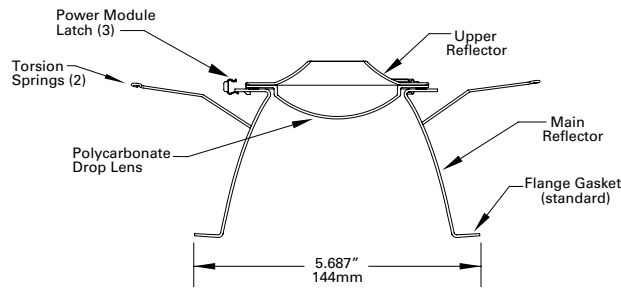
Base Trim	Distribution	Flange	Reflector Finish	Trim Options
Base Trim	Distribution ⁽¹¹⁾	Flange	Reflector Finish	Trim Options
<p>Vandal Resistant F4LCXV=(open) F4LCXV=(enclosed)</p> <p>Sealed/Medical F4LC=(open) F4LCXS=(enclosed)</p> <p>Notes Vandal resistant open and enclosed, same trim catalog logic.</p>	<p>All Trims M=Medium (50° Beam), Spun Aluminum</p> <p>Sealed/Medical Open Only (F4LC Only) W=Wide, Spun Aluminum SWN=Single Wall Wash (Sealed/Medical open only) ^{(10),(12)} N=Narrow PS=Non-conductive, Shallow ^{(16),(17)}</p> <p>Notes (10) Not available with Chicago Plenum. Not available for 6500-7000 lumens (11) Product is marked spacing and must be installed with the following minimum spacing. Center to center of adjacent luminaires: 36". Center of luminaire to side of building member: 18" Minimum overhead: 1/2". ++(12) Not available on Vandal Resistant Open. (16) PS available in self-flanged MW finish only (17) Offered up to 2000 lumens</p>	<p>1=Self-flanged ⁽¹⁸⁾</p> <p>Notes (18) Flange is the same as the reflector.</p>	<p>LI=Specular Clear ⁽²⁰⁾ H=Semi-Specular Clear ⁽²⁰⁾ WMH=Warm Haze ⁽²⁰⁾ MW=Matte White AMF=Antimicrobial Matte White</p> <p>Notes (20) Anodized or spun reflectors</p>	<p>[Blank]=Open, no bottom lens E=Integral Emergency Test Switch Hole ⁽¹⁴⁾ FP=NSF rated, non-food, splash zone</p> <p>Bottom Lens (enclosed only) ^{(21),(22)} BL84=Bottom lens, 0.125" clear polycarbonate BL85=Bottom lens, 0.187" clear polycarbonate BL86=Bottom lens, 0.250" clear polycarbonate BL89AM=Bottom lens, 0.125" smooth opal polycarbonate BL89BV=Bottom lens, 0.125" smooth clear acrylic BL89BW=Bottom lens, 0.125" smooth opal acrylic</p> <p>For IP65 and IP66, refer to Compatibility Chart on page 4</p> <p>Notes (14) Only available with medium bottom lens. Required with all IEMB00, IEM7, IEM14 housings. (21) For open style, do not specify Bottom Lens. For enclosed units, specify Bottom Lens. (22) Additional lens options for the BL (bottom lens) available, see Downlight Lens Guide on page 8.</p>



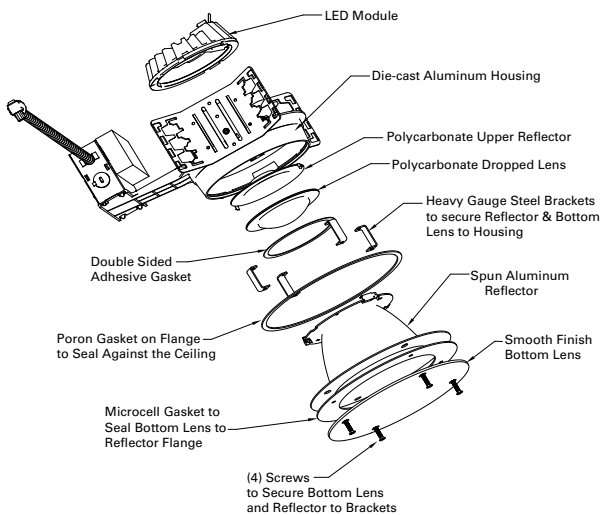
Dimensional and Mounting Details



SEALED/MEDICAL OPEN



ENCLOSED BOTTOM LENS



NOTE: Sealed Medical Regress Lens has gasket on flange to seal against ceiling and is attached to housing with torsion springs.

Compatibility Chart

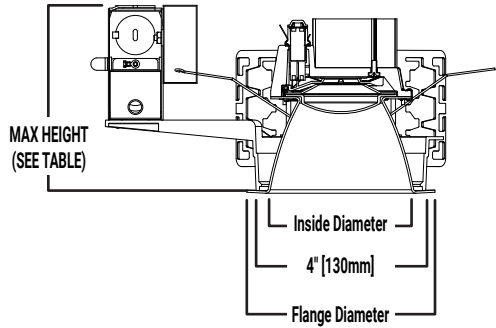
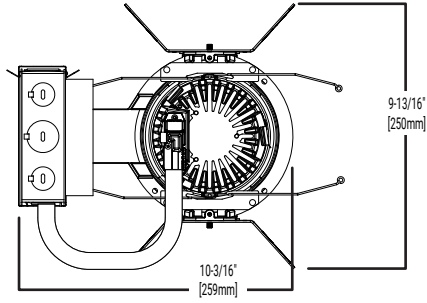
	Sealed/Medical		Vandal Resistant	
Diagram				
Description	Open	Enclosed Bottom Lens	Open	Enclosed Bottom Lens
Housing	FLD4B, FLD4BCP	FLD4CX, FLD4CXCP	FLD4CX, FLD4CXCP	FLD4CX, FLD4CXCP
NSF	Available	Available	Not Available	Not Available
IP	IP65 Available	*IP65 Available	IP65 Available	*IP65 Available

IP65 ratings are from the room-side only on all applications.
 IP requirement called out with (/65) at the end of the Trim ordering logic.
 Example: F4LCXVM1LI/65

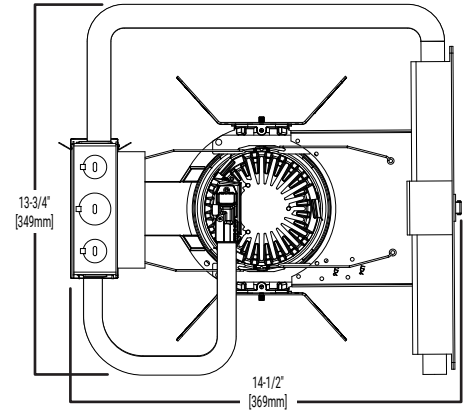
* The sealed medical with bottom lens option is the IP65 compliant open reflector - with an attached bottom lens. During the IP65 test, no dust entered into the reflector from the bottom lens, but a miniscule amount of water did enter (on top of the bottom lens). However, no water can penetrate the upper reflector, and enter into the electrical - and there remains an impenetrable seal between the ceiling and luminaire.

Dimensional and Mounting Details

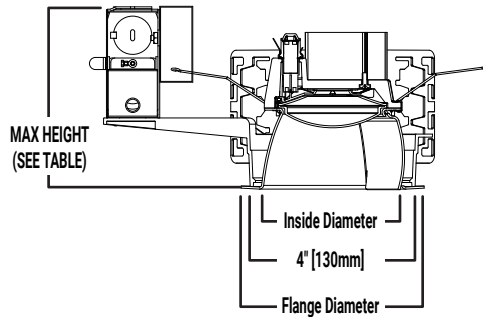
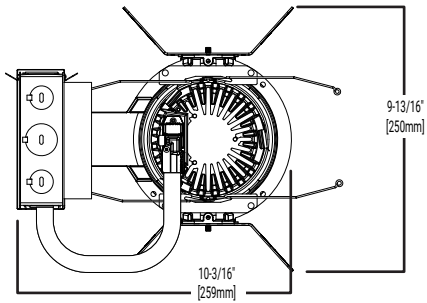
DOWNLIGHT



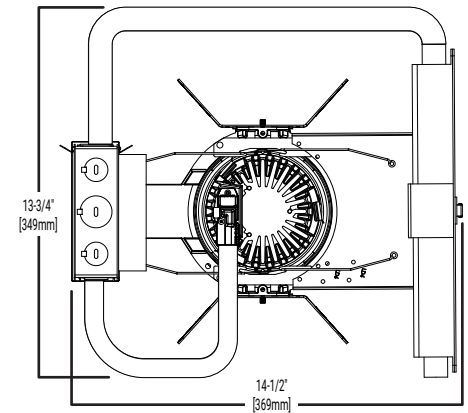
EM OPTION



WALL WASH



EM OPTION



CATALOG #	Flange DIAMETER or WIDTH [IN]	INSIDE DIAMETER or WIDTH [IN]	MAX HEIGHT				
			250-2000 LUMENS (90/97CRI)	2500-4000 LUMENS (90/97CRI)	4500-6000 LUMENS (90/97CRI)	1000-1500IC LUMENS (90/97CRI)	2 LEDs 4500-6000 LUMENS (90/97CRI)
4LBN	5.67	4.24	5.6	5.6	5.6	6.1	8.1
4LBM	5.67	4.26	5.6	5.6	5.6	6.1	8.1
4LBW	5.67	4.27	5.6	5.6	5.6	5.7	7.7
4LBPS	5.67	4.23	5.6	5.6	5.6	5.6	6.5
4LBSWN	5.67	4.27	5.6	5.6	5.6	5.7	7.7

Energy and Performance Data

D010 DRIVER ENERGY DATA

Series	250 lumen		500 lumen		800 lumen		1000 lumen		1500 lumen		2000 lumen	
Input Voltage 120-277VAC	120V	277V	120V	277V	120V	277V	120V	277V	120V	277V	120V	277V
Input Current (A)	0.029	0.017	0.061	0.032	0.085	0.041	0.084	0.042	0.135	0.063	0.189	0.084
Input Power (W)	3.45	3.87	7.33	7.78	10.15	10.52	10.04	10.43	16.17	16.56	22.58	22.63
In-rush (A)	2.1	8.5	3.7	8.5	3.6	8.3	3.6	8.4	2.3	9.5	2.1	9.7
Inrush duration (µs)	250	131	190	136	220	135	226	136	230	125	243	132
THDi (%)	7.21	16.92	7.82	10.78	5.57	9.63	7.78	9.24	4.75	9.93	8.03	7.44
PF	≥ 0.98	≥ 0.9	≥ 0.99	≥ 0.93	≥ 0.99	≥ 0.95	≥ 0.99	≥ 0.95	≥ 0.99	≥ 0.94	≥ 0.99	≥ 0.96

Series	2500 lumen		3000 lumen		3500 lumen		4000 lumen		4500 lumen		5000 lumen	
Input Voltage 120-277VAC	120V	277V	120V	277V	120V	277V	120V	277V	120V	277V	120V	277V
Input Current (A)	0.276	0.121	0.276	0.041	0.333	0.152	0.404	0.181	0.421	0.192	0.491	0.216
Input Power (W)	32.98	32.57	32	10.52	39.83	39.84	48.38	47.94	50.22	50.17	58.69	58.01
In-rush (A)	2.5	11.8	3.6	8.3	3.1	14.3	3.1	14.5	5.6	22.6	5.6	22.6
Inrush duration (µs)	215	111	220	135	200	94	197	95	215	120	213	135
THDi (%)	9.86	6.57	5.57	9.63	4.25	10.05	5.02	7.97	6.12	8.35	8.51	7.92
PF	≥ 0.99	≥ 0.97	≥ 0.99	≥ 0.95	≥ 0.99	≥ 0.94	≥ 0.99	≥ 0.95	≥ 0.99	≥ 0.95	≥ 0.99	≥ 0.96

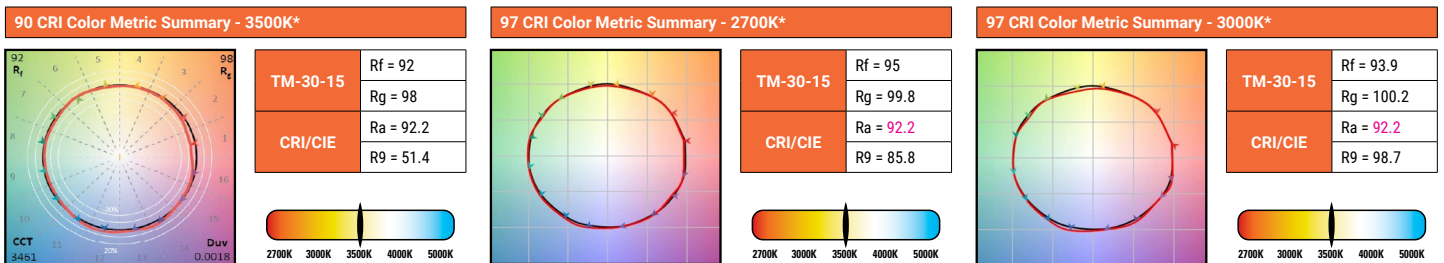
Series	5500 lumen		6000 lumen	
Input Voltage 120-277VAC	120V	277V	120V	277V
Input Current (A)	0.526	0.231	0.542	0.256
Input Power (W)	62.97	61.97	64.88	65.7
In-rush (A)	5.1	23.1	6.2	27.5
Inrush duration (µs)	217	138	188	101
THDi (%)	9.42	7.16	4.33	11.86
PF	≥ 0.99	≥ 0.96	≥ 0.99	≥ 0.93

Minimum starting temperature -30°C (-22°F)*
(Nominal input 120-277VAC & 100% of rated output power)

Sound Rating: Class A standards

Notes:
Emergency Battery packs are rated for a minimum starting temperature of 0°C.

COLOR METRICS - TM-30-15 & CRI/CIE



* Color values are based on haze reflector, other finishes and field results may vary.

Product Specifications

Lower Shielding Reflector

- Self-flanged, spun .050" thick aluminum lower reflector in combination with a lensed upper optical chamber provides superior lumen output with minimal source brightness.

Trim Retention

- For sealed/medical and vandal resistant bottom lens, the lower reflector is retained with (4) counter sunk, philips head screws, holding the flange tightly to the housing.
- Open sealed/medical reflector uses torsion springs.
- Vandal Resistant versions utilize the Torx T10 #6 screw with center pin reject.

LED

- High brightness LED's combined with a high reflectance upper reflector and convex lens for even distribution with no pixilation.
- Rated for 50,000 hours at 70% lumen maintenance.
- Auto resetting, thermally protected, LED's turn off when safe operating temperatures exceeded.
- Color variation within 3-step MacAdam ellipses.
- Disconnect allows for toolless replacement of LED engine from below ceiling.
- Available 90, 97 CRI.

Driver

- Combination 120-277V 0-10V or 120V trailing edge phase cut driver provides flicker free dimming from 100% to 10%.
- Optional for 1000- 4000 lumens, 1% 0-10V, Fifth Light, or Lutron® Ecosystem.
- Driver can be serviced from above or through the aperture.

Lenses

- All versions include a nonremovable upper lens, 0.060" thick frosted polycarbonate.
- Bottom lens is smooth acrylic or polycarbonate up to 0.250" thick.

Code Compliance

- cULus listed for wet locations under covered ceiling standard.
- Non-IC rated insulation must be kept 3" from top and sides of housing.
- ISO5-8 certified
- NSF and IP options available, please reference chart on page 2.

Warranty

- 5 Year Warranty.

Energy Data

Energy Data
Sound Rating: Class A standards (Values at non-dimming line voltage)
Minimum Starting Temperature: -30°C (-22°F)
EMI/RFI: FCC Title 47 CFR, Part 15, Class B (Consumer)
Input Voltage: UNV (120V - 277V)
Power Factor: >0.90 (at nominal input 120-277 VAC & 100% of Rated Output Power)
Input Frequency: 50/60Hz

Marked Spacing

4-inch Marked spacing for 90 and 97 CRI			
4000	36	36	0.5
4000-6000 (Lutron)	36	36	8

1000 Lumen D010		1500 Lumen D010	
Input Power: 11W	THD: <14%	Input Power: 15.5W	THD: <13%
120V Input Current: 0.09A	277V Input Current: 0.04A	120V Input Current: 0.13A	277V Input Current: 0.06A
2000 Lumen D010		3000 Lumen D010	
Input Power: 21.2W	THD: <9%	Input Power: 27.6W	THD: <10%
120V Input Current: 0.18A	277V Input Current: 0.08A	120V Input Current: 0.23A	277V Input Current: 0.10A

4000 Lumen D010	
Input Power: 41.6W	THD: <13%
120V Input Current: 0.35A	277V Input Current: 0.15A

Lumens	120V		277V	
	Inrush (A)	Duration (ms)	Inrush (A)	Duration (ms)
1000 Lumen D010	1.02	0.041	2.18	0.021
1500 Lumen D010	1.02	0.042	2.24	0.064
2000 Lumen D010	1.02	0.077	2.43	0.027
3000 Lumen D010	1.15	0.067	3.26	0.027
4000 Lumen D010	1.2	0.088	3.9	0.03

 View IES files

Downlight Lens Guide

Downlight Lens Guide				
Lens	Description	Bottom Trim (BTR) (Total Maximum Lens Thickness is .375")	Bottom Lens (BL) (Single Smooth Acrylic or Polycarbonate Lens Only)	Open
80	Acrylic, Prismatic Pattern 12, 0.125"		N/A	N/A
89AG	Acrylic, Prismatic Pattern 19, 0.156"		N/A	N/A
89BV	Acrylic, Smooth, Clear 0.125"			N/A
89BW	Acrylic, Smooth, Opal 0.125"			N/A
94	Glass, Tempered, Smooth, Clear, 0.187"		N/A	N/A
89AH	Polycarbonate, Prismatic Pattern 12, 0.125"		N/A	N/A
82	Polycarbonate, Prismatic Pattern 12, 0.187"		N/A	N/A
84	Polycarbonate, Smooth, Clear 0.125"			N/A
85	Polycarbonate, Smooth, Clear 0.187"			N/A
86	Polycarbonate, Smooth, Clear 0.250"			N/A
87	Polycarbonate, Smooth, Clear 0.375"			N/A
89AM	Polycarbonate, Smooth, Opal 0.125"			N/A