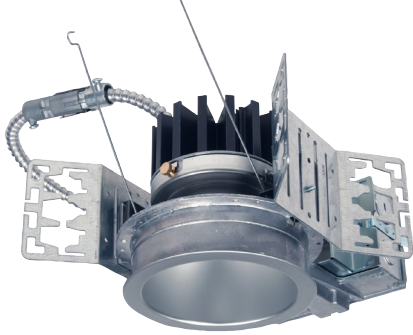


Project		Catalog #		Type	
Prepared by		Notes		Date	

**\* Effective 5-2-23, FLD4B is being replaced with FLD4C \***



## Fail-Safe FLD4B / FEU4B F4LB

Vandal Resistant  
Sealed/Medical  
1000-4000 lumens  
Open Bottom Lens

### Typical Applications:

Sealed / Medical • Vandal Resistant

### Interactive Menu

- Order Information [page 2](#)
- Product Specifications [page 3](#)
- Energy Data [page 3](#)
- Product Warranty

### Top Product Features

- Sealed and IP65 / IP66 rated
- 4" Aperture
- Open and Sealed configurations
- Sealed, Medical and High Abuse
- NSF Rated
- Options to meet Buy American and other domestic preference requirements

### Product Certification



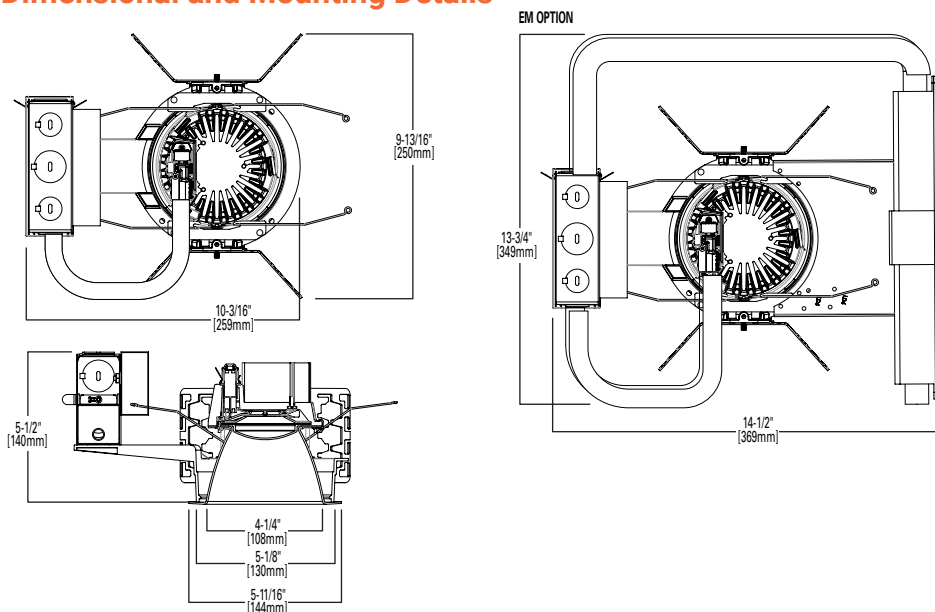
### Product features



**Effective 5-2-23, FLD4B is being replaced with FLD4C.**

**Please refer to FLD4C for specifying and ordering. Use the FLD4B spec sheet for "B" to "C" conversion.**

### Dimensional and Mounting Details



[additional product diagrams](#)

## Order Information

SAMPLE ORDER NUMBER: **FLD4B15D010EMBOD**

Domestic Preferences <sup>(4)</sup>	Housing	Lumens <sup>(1)</sup>	Voltage	Driver	Options
<b>[Blank]</b> =Standard <b>BAA</b> =Buy American Act <b>TAA</b> =Trade Agreements Act	<b>Sealed/Medical Open</b> <b>FLD4B</b> =Housing, Sealed Medical open, used with standard flanged reflector <b>FLD4BCP</b> =Housing, Sealed Medical open, used with standard flanged reflector Chicago Plenum  <b>Sealed/Medical Enclosed Vandal Open or Enclosed</b> <b>FLD4BX</b> =Housing, Vandal open, Vandal enclosed, or Sealed Medical enclosed, extended flange <b>FLD4BXC</b> =Chicago Plenum Housing	<b>10</b> =1000 lumens <b>15</b> =1500 lumens <b>20</b> =2000 lumens <b>30</b> =3000 lumens <b>40</b> =4000 lumens	<b>[Blank]</b> =120-277V <b>3</b> =347V(step down transformer)	<b>D010</b> =0-10V Dimming, 1% to 100%, 120V-277V <b>DE010</b> =0-10V Dimming, 0% to 100%, 120V-277V <b>D5LT</b> =Fifth Light® (DALI) Dimming, 0% to 100%, 120V-277V <b>DL2</b> =Lutron® Hi-Lume Forward Phase Dimming, 1% to 100%, 120V Only <b>DLE</b> =Lutron Ecosystem dimming 1% to 100%, 120V-277V	<b>EMBOD</b> =Bodine® Emergency Module with Remote Test Switch <sup>(3)</sup> <b>EM7</b> =7W Emergency Module with Remote Test Switch <sup>(2),(3)</sup> <b>EM14</b> =14W Emergency Module with Remote Test Switch <sup>(2),(3)</sup> <b>IEMBOD</b> =Bodine® Emergency Module with Integral Test Switch <sup>(3)</sup> <b>IEM7</b> =7W Emergency Module with Integral Test Switch <sup>(2),(3)</sup> <b>IEM14</b> =14W Emergency Module with Integral Test Switch <sup>(2),(3)</sup>
<b>Notes</b> (4) Only product configurations with these designated prefixes are built to be compliant with the Buy American Act of 1933 (BAA) or Trade Agreements Act of 1979 (TAA), respectively. Please refer to <a href="#">DOMESTIC PREFERENCES</a> website for more information. Components shipped separately may be separately analyzed under domestic preference requirements.		<b>Notes</b> (1) Nominal Lumens will vary depending on selected color, driver and reflector finish.			<b>Notes</b> (2) Not available with Chicago Plenum. (3) ULUS listed only.

SAMPLE ORDER NUMBER: **FEU4B3/48035**

Power Module	Lumen Levels <sup>(1)</sup>	CRI	Color		
FEU4B=4" Universal LED Module	<b>1/2</b> =1000, 1500, 2000 lumens <b>3/4</b> =3000-4000 lumens	<b>80</b> =80 CRI Minimum <b>90</b> =90 CRI Minimum <b>97</b> =97 CRI Minimum	<b>80 CRI</b> 27=2700K 30=3000K 35=3500K 40=4000K 50=5000K	<b>90 CRI</b> 24=2400K 27=2700K 30=3000K 35=3500K 40=4000K 50=5000K	<b>97 CRI</b> 27=2700K 30=3000K
	<b>Dim 2 Warm</b> <b>109030D2W</b> =1000 lumen, 90 CRI, Dim 2 Warm <b>159030D2W</b> =1500 lumen, 90 CRI, Dim 2 Warm <b>209030D2W</b> =2000 lumen, 90 CRI, Dim 2 Warm				
		<b>Notes</b> (1) Nominal Lumens will vary depending on selected color, driver and reflector finish.			

**Effective 5-2-23, FLD4B is being replaced with FLD4C**





**Please refer to FLD4C for specifying and ordering.**

**Use the FLD4B spec sheet for "B" to "C" conversion.**

SAMPLE ORDER NUMBER: **F4LBXSM1MWBL84**

Trim	Distribution <sup>(6)</sup>	Flange	Finish	Options
<b>F4LB</b> =4" LED Sealed Medical (No Bottom Lens, or Bottom Trim) <b>F4LBXV</b> =4" LED Vandal Resistant (ALL Vandal Resistant Versions) <b>F4LBXS</b> =4" LED Sealed Medical with Bottom Lens	<b>M</b> =Medium (50° Beam), Spun Aluminum <sup>(6)</sup>	<b>1</b> =Self-flanged <b>2</b> =White Painted Self-flanged <sup>(6)</sup>	<b>LI</b> =Specular Clear <b>H</b> =Semi-Specular Clear <b>WMH</b> =Warm Haze <b>MW</b> =Matte White <b>AMF</b> =Antimicrobial Matte White	<b>E</b> =Integral Emergency Test Switch Hole <sup>(5)</sup> <b>FP</b> =NSF rated, non-food, splash zone (not available on vandal resistant)  <b>Bottom Lens (must use F6LBXV or F6LBXS)</b> <b>BL84</b> =Bottom lens, 0.125" clear polycarbonate <b>BL85</b> =Bottom lens, 0.187" clear polycarbonate <b>BL89AM</b> =Bottom lens, 0.125" smooth opal polycarbonate <b>BL89BW</b> =Bottom lens, 0.125" smooth opal acrylic <b>BL89BV</b> =Bottom lens, 0.125" smooth clear acrylic
	<b>Notes</b> (4) Beam angles are nominal with LI finish trims. (6) White painted self-flanged not available with MWA or AMF finish.	<b>Notes</b> (6) White painted self-flanged not available with MWA or AMF finish.		<b>Notes</b> (5) Only available with medium bottom lens. Required with all IEMBOD, IEM7, and IEM14 housings.

Accessories <sup>8</sup>
<b>HSA4</b> =Slope Adapter for 4" Aperture Housings, Specify Slope in 5° increments <b>Bar Hangers</b> <b>HB26</b> =C-channel Bar Hanger, 26" Long, Pair <b>HB50</b> =C-channel Bar Hanger, 50" Long, Pair <b>RMB22</b> =Wood Joist Bar Hanger, 22" Long, Pair <b>Transformers</b> <b>H347</b> =347 to 120V Step Down Transformer, 75VA <b>H347200</b> =347 to 120V Step Down Transformer, 200VA <b>Connected Lighting Systems</b> <b>PORLWTPD1</b> =LumaWatt Pro wireless sensor kit (0-10V only) <b>TMSWPD1</b> =WaveLinX tilemount daylight sensor (includes control module, sensor, cable and tile mount)
(8) Accessories sold separately will be separately analyzed under domestic preference requirements. Consult factory for further information.

	SEALED/MEDICAL		VANDAL RESISTANT	
DIAGRAM				
DESCRIPTION	OPEN	ENCLOSED BOTTOM LENS	OPEN	ENCLOSED BOTTOM LENS
HOUSING	FLD4B FLD4BCP	FLD4BX FLD4BXC	FLD4BX FLD4BXC	FLD4BX FLD4BXC
NSF	Available	Available	Not Available	Not Available
IP	IP65 Available	IP66 Available	IP65 Available	IP66 Available

**IP65 & IP66 ratings are from the room side only on all applications.**

IP requirement called out with (/65 or /66) at the end of the Trim ordering logic.

**\*Sealed/Medical Open**  
Example: F4LBM1LI/65

**\*Sealed/Medical Enclosed Bottom Lens**  
Example: F4LBXSM1LIBL84/66

**\*Vandal Resistant Open**  
Example: F4LBXVM1LI/65

**\*Vandal Resistant Enclosed Bottom Lens**  
Example: F4LBXVM1LIBL84/66

## Product Specifications

### Lower Shielding Reflector

- Self-flanged, spun .050" thick aluminum lower reflector in combination with a lensed upper optical chamber provides superior lumen output with minimal source brightness.

### Trim Retention

- For sealed/medical and vandal resistant bottom lens, the lower reflector is retained with (4) counter sunk, philips head screws, holding the flange tightly to the housing.
- Open sealed/medical reflector uses torsion springs.
- Vandal Resistant versions utilize the Torx T10 #6 screw with center pin reject.

### LED

- High brightness LED's combined with a high reflectance upper reflector and convex lens for even distribution with no pixilation.
- Rated for 50,000 hours at 70% lumen maintenance.
- Auto resetting, thermally protected, LED's turn off when safe operating temperatures exceeded.
- Color variation within 3-step MacAdam ellipses.
- Disconnect allows for toolless replacement of LED engine from below ceiling.
- Available 80, 90, or 97 CRI.

### Driver

- Combination 120-277V 0-10V or 120V trailing edge phase cut driver provides flicker free dimming from 100% to 10%.
- Optional for 1000- 4000 lumens, 1% 0-10V, Fifth Light, or Lutron® Ecosystem.
- Driver can be serviced from above or through the aperture.

### Lenses

- All versions include a nonremovable upper lens, 0.060" thick frosted polycarbonate.
- Bottom lens is smooth acrylic or polycarbonate up to 0.187" thick.

### Code Compliance

- cULus listed for wet locations under covered ceiling standard.
- Class 100 (ISO 5-8 certified)
- Non-IC rated insulation must be kept 3" from top and sides of housing.
- NSF and IP options available, please reference chart on page 2.

### Warranty

- 5 Year Warranty.

## Energy Data

 [View IES files](#)

Energy Data
Sound Rating: Class A standards (Values at non-dimming line voltage)
Minimum Starting Temperature: -30°C (-22°F)
EMI/RFI: FCC Title 47 CFR, Part 15, Class B (Consumer)
Input Voltage: UNV (120V - 277V)
Power Factor: >0.90 (at nominal input 120-277 VAC & 100% of Rated Output Power)
Input Frequency: 50/60Hz

1000 Lumen D010		1500 Lumen D010	
Input Power: 11W	THD: <14%	Input Power: 15.5W	THD: <13%
120V Input Current: 0.09A	277V Input Current: 0.04A	120V Input Current: 0.13A	277V Input Current: 0.06A

2000 Lumen D010		3000 Lumen D010	
Input Power: 21.2W	THD: <9%	Input Power: 27.6W	THD: <10%
120V Input Current: 0.18A	277V Input Current: 0.08A	120V Input Current: 0.23A	277V Input Current: 0.10A

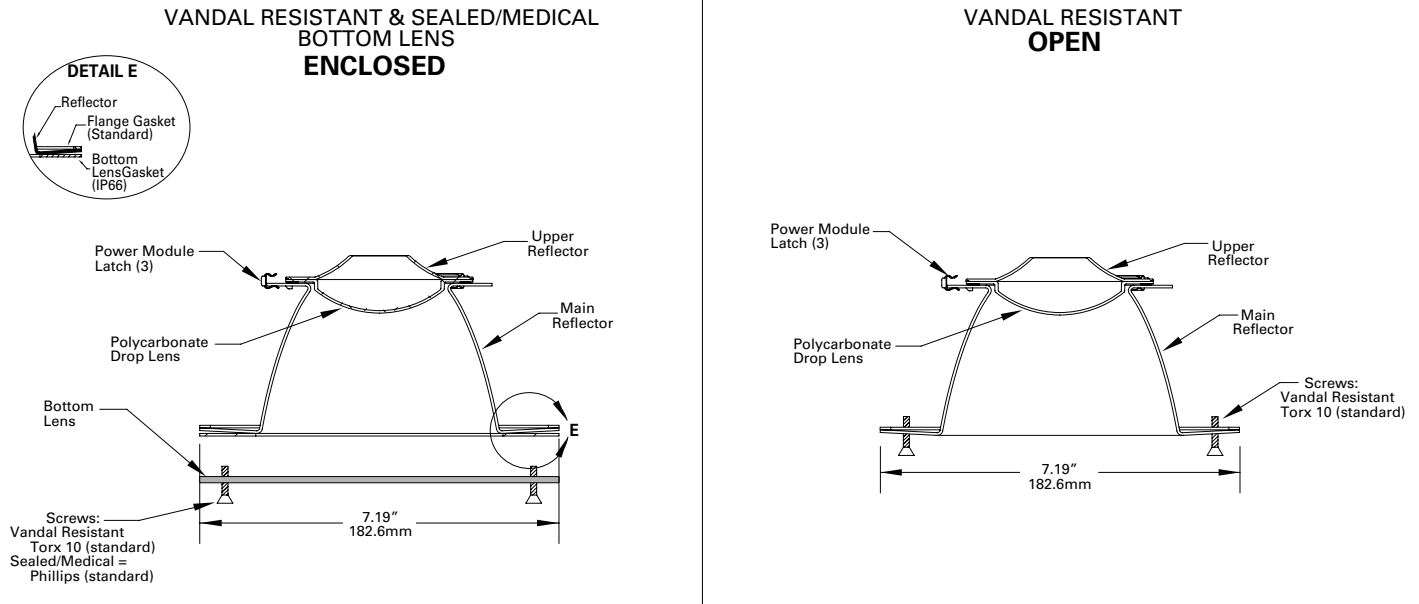
4000 Lumen D010	
Input Power: 41.6W	THD: <13%
120V Input Current: 0.35A	277V Input Current: 0.15A

Lumens	120V		277V	
	Inrush (A)	Duration (ms)	Inrush (A)	Duration (ms)
1000 Lumen D010	1.02	0.041	2.18	0.021
1500 Lumen D010	1.02	0.042	2.24	0.064
2000 Lumen D010	1.02	0.077	2.43	0.027
3000 Lumen D010	1.15	0.067	3.26	0.027
4000 Lumen D010	1.2	0.088	3.9	0.03

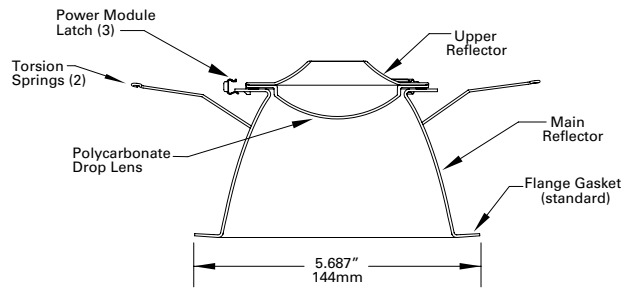
**Effective 5-2-23, FLD4B is being replaced with FLD4C**

**Please refer to FLD4C for specifying and ordering.  
Use the FLD4B spec sheet for "B" to "C" conversion.**

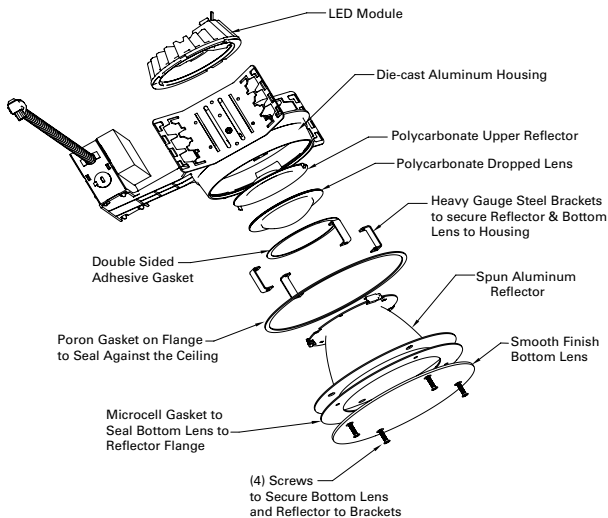
## Dimensional and Mounting Details



**SEALED/MEDICAL  
OPEN**



**ENCLOSED BOTTOM LENS**



**NOTE:**  
Sealed Medical Regress Lens has gasket on flange to seal against ceiling and is attached to housing with torsion springs.

**Effective 5-2-23, FLD4B is being replaced with FLD4C**

**Please refer to FLD4C for specifying and ordering.**

**Use the FLD4B spec sheet for "B" to "C" conversion.**