

Project		Catalog #		Type	
Prepared by		Notes		Date	



Interactive Menu

- Order Information [page 2](#)
- Product Specifications [page 2](#)
- Product Warranty

Fail-Safe

FCB

Fail-Safe Center Basket
Decorative Inlays
2x2 / 2x4 / 1x4

Typical Applications:

Hospitals • Medical Facilities • Nursing Homes • Pharmacies • Schools
• Commercial Office Spaces

Product Certification



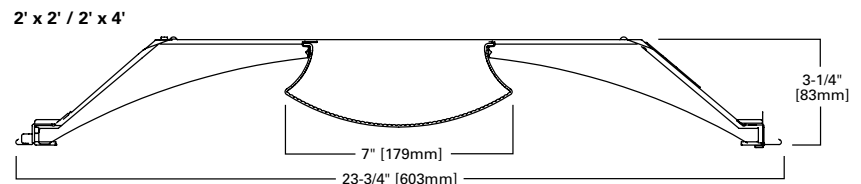
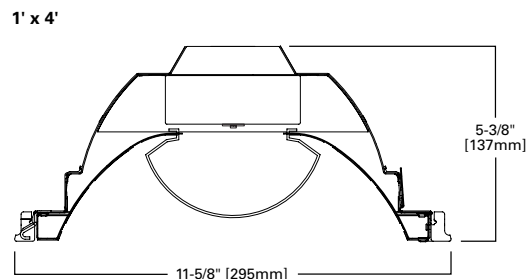
Product Features



Top Product Features

- 6 decorative inlay choices to put the finishing touch on the project
- White color tuning available (VividTune)
- Anti-microbial paint finish available on exposed surfaces
- 2x2, 2x4, 1x4 sizes
- Security latch available, standard or tamper proof
- Gasketing available on lens, housing, and/or door frame
- Options to meet Buy American and other domestic preference requirements

Dimensional and Mounting Details



[additional product diagrams](#)

Order Information

SAMPLE ORDER NUMBER: FCB-24-2-LD4-34-SWRL-40-UNV-EDC1-AMW

Domestic Preferences	Product Name	Width	Length	LED Type	LED Lumens Output ²	Center Basket Decorative Inlays	Color Temperature	Voltage
[Blank] =Standard BAA =Buy American Act TAA =Trade Agreements Act	FCB =Fail-Safe Center Basket	24=24" Wide 12=12" Wide	2=2' Length (not available 12" wide) 4=4' Length	LD4=LED 4.0	2' x 4' 30=3000 40=4000 50=5000 60=6000 75=7500 ⁽⁷⁾ 2' x 2' 24=2400 34=3400 44=4400 1' x 4' 25=2500 35=3500 44=4400	CURV = Curve SWRL = Swirl CLSC =Classic ⁽⁹⁾ BRDR =Border ⁽⁹⁾ STR/M/BL =Stripe, Medium, Blue STR/T/BL =Stripe, Thin, Blue STR/M/BK =Stripe, Medium, Black STR/T/BK =Stripe, Thin, Black STR/M/RD =Stripe, Medium, Red STR/T/RD =Stripe, Thin, Red OPLR =Opal Ribbed OPLS =Opal Smooth	27=2700K 30=3000K 35=3500K 40=4000K 50=5000K L83050 =80CRI 3000K-5000K White Tuning ⁽⁸⁾ L93050 =90CRI 3000K-5000K White Tuning ⁽⁸⁾ L82765 =80CRI 2700K-6500K White Tuning ⁽⁸⁾ L92765 =90CRI 2700K-6500K White Tuning ⁽⁸⁾	UNV =Universal Voltage 120-277 120=120V 277=277V 347=347V ⁽⁷⁾
Notes (10) Only product configurations with these designated prefixes are built to be compliant with the Buy American Act of 1933 (BAA) or Trade Agreements Act of 1979 (TAA), respectively. Please refer to DOMESTIC PREFERENCES website for more information. Components shipped separately may be separately analyzed under domestic preference requirements.					Notes (2) Nominal lumen output. (7) 347 versions are not available with emergency options. 347 driver option requires two drivers with 7500 lumen package.	Notes (4) Inlay patterns are digitally created. For inlay patterns that match the interior design scheme, please furnish the manufacturer/catalog/model number of the desired pattern. Cooper Lighting Solutions technical personnel will collaborate with our image supplier to create a matching pattern. Cooper Lighting Solutions will ensure that no legal copyright/design issues are involved prior to initiation. Additional cost required for pattern matching. (9) Only available when ordering the 24" width, (2'x2' and 2'x4').	Notes (8) White tuning provides correlated color temperatures (CCT) between 3000k (warm) to 5000k (cool) or 2700k (warm) to 6500k (cool). Must be used in conjunction with W2A driver only. Must be used with two (2) 10v dimming control channels, 1 color, 1 intensity. Not compatible with other control or sensor options.	Notes (7) 347 versions are not available with emergency options. 347 driver option requires two drivers with 7500 lumen package

Driver Type	Options	Accessories
EDC1 =One Electronic Driver, Non-Dimming EDD1 =One Electronic Driver, 10% Dimming EDD1D1 =One Electronic Driver, 1% Dimming 5LTD1 =One Fifth Light DALI Driver (10%-100% Dimming) ⁽⁵⁾ 5LTHD1 =One Fifth Light DALI Driver (1% -100% Dimming) ⁽⁵⁾ LH1 =One Lutron HiLume (LDE1) 1%-100% EcoSystem Driver with Soft-on Fade to Black dimming LU1 =One Lutron HiLume (L3D) 1%-100% EcoSystem Driver W2A1 =One White Tuning, 2 ch, Analog 0-10V Intensity and CCT Control ⁽⁸⁾	GSKH =Gasketing applied to perimeter of housing for housing/grid contact. GSK2 = Gasket between housing and door frame, and gasket applied to perimeter of housing for housing/grid contact. EL7W =7 watt, 120V-277V EM pack, factory installed EL14W =14W, 120V-277V EM pack, factory installed GTR2 =Bodine Generator Transfer Relay, specify voltage ⁽⁶⁾ ETRD =Iota Emergency Transfer Relay with dimming control, specify voltage ⁽⁶⁾ AMW =Anti-microbial matte white paint finish, door frame assembly SL =Security Latch, (2) Phillips pan-head, white painted screws SLTP =Security Latch, (2) Tamper-proof, Torx® T20, white painted screws A3/8-4/18GDIM =3/8" Flex with 0-10V Dimming leads	MSC4-PK =Mounting Security Clips to secure fixture to grid ceiling system or to attach tie wires to: ⁽¹⁾ DFCL-2424W-U =Drywall Framing Kit, Fail-Safe, 24" x 24" DFCL-2448W-U =Drywall Framing Kit, Fail-Safe, 24" x 48" DFCL-1248W-U =Drywall Framing Kit, Fail-Safe, 12" x 48" Replace "W" with "AMW" for matte white anti-microbial kit
Notes (5) Consult Fifth Light system pages for additional details and compatibility. (8) White tuning provides correlated color temperatures (CCT) between 3000k (warm) to 5000k (cool) or 2700k (warm) to 6500k (cool). Must be used in conjunction with W2A driver only. Must be used with two (2) 10v dimming control channels, 1 color, 1 intensity. Not compatible with other control or sensor options.	Notes (6) Used to bypass local control during outage. Must be used with UL 1008 device (provided by others). GTR2 option includes 2 relays on fixtures with dimming drivers.	Notes (1) MSC4-PK (see accessories) necessary when using FCB with 9/16" grid ceiling systems. One clip / corner. (11) Accessories sold separately will be separately analyzed under domestic preference requirements. Consult factory for further information.

Product Specifications

Construction

- Die formed steel housing with integral endplates. Integral T-bar clips (4) in the endplates to facilitate installation.

Controls

- Equipped standard with a 0-10V driver that is compatible with a standard 0-10V control/dimmer.

Electrical

- LED's available in 2700K, 3000K, 3500K, 4000K or 5000K with minimum of 80 CRI. Projected life is 60,000 hours at 70% lumen output.
- cULus listed.
- Electronic drivers for 120-277V applications. 0-10V driver is standard

Mounting

- For use with standard NEMA Type G grid, 15/16".
- For use with a 9/16" T grid, mounting security clips recommended.

Emergency Battery Pack

- Available in 7 watt or 14 watt to meet critical life-safety lighting requirements. 90-minute battery provides constant power, ensuring code-compliance.
- Test switch/ indicator button can be tested safely from the ground using a laser pointer, while the patented EZ Key prevents accidental discharge of the battery during job construction/installation.

Finish

- Multi-stage, iron phosphate pretreatment ensures maximum bonding and corrosion inhibition
- Housing and driver enclosure finished with 90% reflective white enamel for superior performance. Optional anti-microbial matte white door frame assembly.

Hinging/Latching

- Cam-action steel latches with baked white enamel finish.

- Safetylock T-hinges allow hinging and latching either side.
- Security latch is available.

Center Acrylic Basket

- Curved, frosted acrylic basket integral with a steel, hinged door frame.
- Choose from a variety (6) of decorative inlays to add an architectural statement.
- Antimicrobial matte architectural white door frame also available.

Compliance

- LED Modules are UL recognized components and indoor luminaires are cULus listed for 25°C ambient environments, RoHS compliant.

Warranty

- Five year warranty.

Energy and Performance Data

FCB Lumens Chart

Catalog Logic (Ribbed Lens)	Delivered Lumens (Opal Center Basket)	Watts	Efficacy (lm/W)
FCB-12-4-LD4-25-30-UNV-EDD1	2357	20.5	115
FCB-12-4-LD4-25-35-UNV-EDD1	2504	20.5	122
FCB-12-4-LD4-25-40-UNV-EDD1	2554	20.5	125
FCB-12-4-LD4-25-50-UNV-EDD1	2763	20.5	135
FCB-12-4-LD4-35-30-UNV-EDD1	3379	31.5	107
FCB-12-4-LD4-35-40-UNV-EDD1	3662	31.5	116
FCB-12-4-LD4-35-50-UNV-EDD1	3961	31.5	126
FCB-12-4-LD4-44-30-UNV-EDD1	4139	41.5	101
FCB-12-4-LD4-44-35-UNV-EDD1	4397	41.5	107
FCB-12-4-LD4-44-40-UNV-EDD1	4485	41.5	109
FCB-12-4-LD4-44-50-UNV-EDD1	4851	41.5	118
FCB-24-2-LD4-24-30-UNV-EDD1	2235	19.6	114
FCB-24-2-LD4-24-35-UNV-EDD1	2470	19.6	126
FCB-24-2-LD4-24-40-UNV-EDD1	2519	19.6	129
FCB-24-2-LD4-24-50-UNV-EDD1	2725	19.6	139
FCB-24-2-LD4-34-30-UNV-EDD1	3292	29.4	112
FCB-24-2-LD4-34-35-UNV-EDD1	3497	29.4	119
FCB-24-2-LD4-34-40-UNV-EDD1	3567	29.4	121
FCB-24-2-LD4-44-30-UNV-EDD1	4173	41.8	100
FCB-24-2-LD4-44-35-UNV-EDD1	4433	41.8	106
FCB-24-2-LD4-44-40-UNV-EDD1	4522	41.8	108
FCB-24-2-LD4-44-50-UNV-EDD1	4891	41.8	117
FCB-24-4-LD4-30-30-UNV-EDD1	2833	21.6	131
FCB-24-4-LD4-30-35-UNV-EDD1	3010	21.6	139
FCB-24-4-LD4-30-40-UNV-EDD1	3070	21.6	142
FCB-24-4-LD4-30-50-UNV-EDD1	3321	21.6	154
FCB-24-4-LD4-40-30-UNV-EDD1	3731	29	129
FCB-24-4-LD4-40-35-UNV-EDD1	3964	29	137
FCB-24-4-LD4-40-40-UNV-EDD1	4043	29	139
FCB-24-4-LD4-40-50-UNV-EDD1	4374	29	151
FCB-24-4-LD4-50-30-UNV-EDD1	4695	40.7	115
FCB-24-4-LD4-50-35-UNV-EDD1	4988	40.7	123
FCB-24-4-LD4-50-40-UNV-EDD1	5088	40.7	125
FCB-24-4-LD4-50-50-UNV-EDD1	5503	40.7	135
FCB-24-4-LD4-60-30-UNV-EDD1	5741	52.2	110
FCB-24-4-LD4-60-35-UNV-EDD1	6099	52.2	117
FCB-24-4-LD4-60-40-UNV-EDD1	6221	52.2	119
FCB-24-4-LD4-60-50-UNV-EDD1	6729	52.2	129
FCB-24-4-LD4-75-30-UNV-EDD1	7052	69.1	102
FCB-24-4-LD4-75-35-UNV-EDD1	7491	69.1	108
FCB-24-4-LD4-75-40-UNV-EDD1	7641	69.1	111
FCB-24-4-LD4-75-50-UNV-EDD1	8265	69.1	120

Center Basket Decorative Inlay Multipliers

Inlay Description	Inlay Cat#	Approximate Lumen Multiplier
Swirl	SWRL	0.85
Curve	CURV	0.85
Classic	CLSC	0.91
Border	BRDR	0.92
Stripe,Thin,Blue	STR/T/BL	0.97
Stripe,Medium,Blue	STR/M/BL	0.95
Stripe,Thin,Red	STR/T/R	0.97
Stripe,Medium,Red	STR/M/R	0.95
Stripe,Thin,Black	STR/T/BK	0.94
Stripe,Medium,Black	STR/M/BK	0.92

How to use tables & examples:

2x2 FCB, 2400 Lumens, 4000K, Swirl decorative inlay, open

*From table, FCB-24-2-LD4-24-40 = 2519 delivered lumens

*Swirl multiplier = 0.85

*Total delivered lumens = 2519 x 0.85 = 2141

 [View IES files](#)

Center Decorative Basket Options (2' length shown)



Swirl (SWRL)



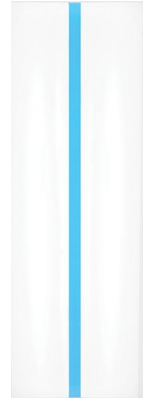
Curve (CURV)



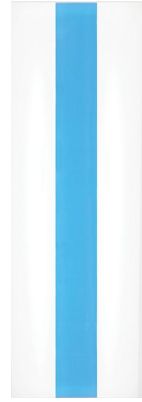
Classic (CLSC)
2'x2' & 2'x4' Only



Border (BRDR)
2'x2' and 2'x4' Only



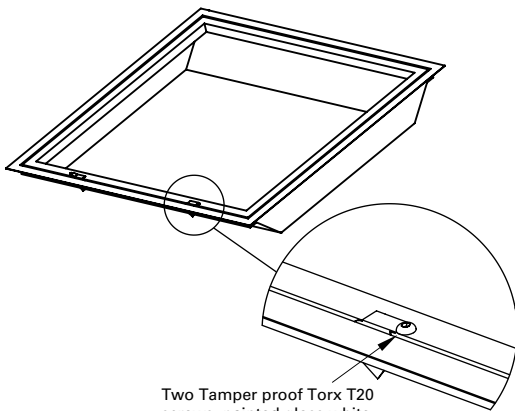
STR/T/BL



STR/M/BL

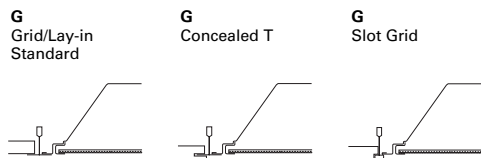
Dimensional and Mounting Details

Security Latch Detail SL & SLTP (Tamper Proof)



Two Tamper proof Torx T20 screws, painted gloss white to match the door frame. Available non-tamper proof screw, optional (SL).

Ceiling Compatibility



Ceiling Type	Trim Type
Exposed Grid	Standard
Concealed T	Standard
Slot Grid	Standard
Hard-Lid	*

*Use DFCL drywall framing kit. See accessories on page 2.

Shipping Data

Catalog No.	Wt.
2x4 FCB	20.5 lbs.
2x2 FCB	12.5 lbs.
1x4 FCB	22.0 lbs.