

F100 OT

By

PHILIPS CHLORIDE

W/SELF DIAGNOSTICS

INSTALLATION AND OPERATING INSTRUCTIONS

IMPORTANT SAFEGUARDS

When using electrical equipment, basic safety precautions should always be followed, including the following:

READ AND FOLLOW ALL SAFETY INSTRUCTIONS

All servicing should be performed by qualified personnel only.

Do not use this equipment outdoors.

Do not mount near gas or electric heaters.

Do not mount near open flames or sparks.

Equipment should be mounted in locations and at heights where it will not readily be subjected to tampering by unauthorized personnel.

The use of accessory equipment not recommended by the manufacturer may cause an unsafe condition.

Do not use this equipment for other than intended use.

The battery supplied with this equipment is a sealed maintenance free lead calcium battery. Do not attempt to service this battery.

CAUTION: Halogen cycle lamp(s) are used in this equipment. To avoid shattering: Do not operate lamp in excess of rated voltage, protect lamp against abrasion and scratches and against liquids when lamp is operating, dispose of lamp with care.

Halogen cycle lamps operate at high temperatures. Do not store or place flammable materials near lamp.

CAUTION: To avoid electrical overload, total connected lamp load (factory and field installed) should not exceed output rating. For 8 hour run time total connected lamp load should not exceed 24 watts.

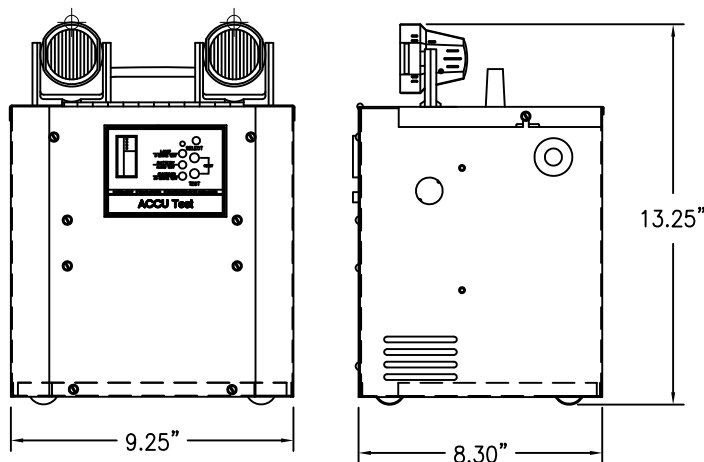


FIGURE 1

PAGE 1

SAVE

THESE INSTRUCTIONS

WARNING

Shut off AC power to branch circuits to which units will be connected. All wiring should be per National Electrical Code and local regulations.

INSTALLATION-INSTRUCTIONS

1. Loosen screw on each side of cabinet to enable cover to pivot exposing interior. (See fig. 1)
2. Prepare cover to accept lampheads by removing appropriate knockouts.
3. Install lampheads using instructions provided with lampheads.
4. Refer to page 4 for various lamphead connection options.
5. A knockout is provided on each side of cabinet for AC service input and remote lamphead input (if required).
6. Mount cabinet to wall or use optional mounting bracket (MBF). (See Fig. 2 on page 2)
7. Carefully slide battery into chamber in cabinet. Orient terminals to the right side. (See Fig. 3 on page 2)
8. Using red and black wire assemblies provided with battery, make connections from battery to charger PC Board. (See Fig. 5 on page 3)

NOTE: Batteries must be connected exactly as indicated or equipment failure will result.

9. Make electrical hookups at this time as follows:

120 VAC Operation

White Wire –Common
Black Wire –120V Line
Green Wire –Ground

277 VAC Operation

White Wire –Common
Red Wire – 277V Line
Green Wire –Ground

NOTE: Unused primary wire must be insulated to prevent shorting.

CAUTION : Do not connect AC until battery is installed.

10. Place READY–STANDBY switch, located on p.c. assy, to READY position.
11. Close cover and retighten screws on sides of cabinet.

PHILIPS

Philips Lighting North America Corporation
200 Franklin Square Drive
Somerset, NJ 08873, USA
Phone: 855-486-2216
www.philips.com/luminaires

Philips Lighting Canada Ltd.
281 Hillmount Road,
Markham, ON, Canada L6C 2S3
Phone: 800-668-9008
www.philips.com/luminaires

9140052264
February 2016

F1000T

OPERATIONS

1. Energize AC power to unit.
2. READY switch can be placed in STANDBY when emergency lighting protection is not required; e.g. during a power failure when the need for light is over or prior to planned power outages to prevent excessive battery discharges. Do not disconnect the AC as this disconnects the charger.
3. Leave AC connected for a minimum of 24 hours before performing any abbreviated testing. Full recharge of battery may take up to one (1) week.

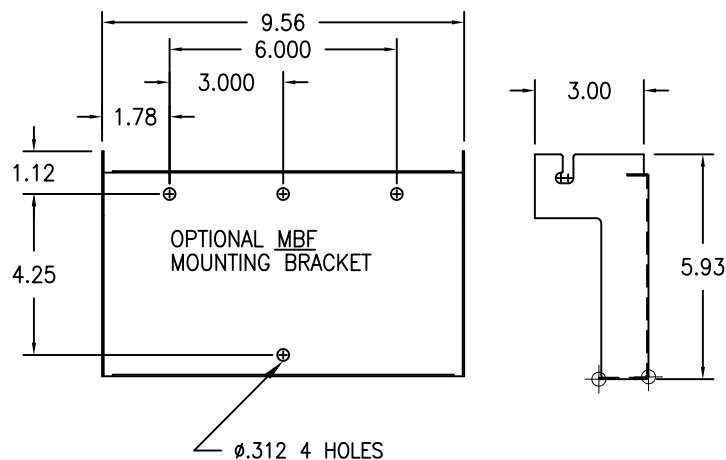


FIGURE 2

OMNI TEST USER GUIDE (See Figure 4)

INITIATING A MANUAL TEST:

- 1) After energizing AC power to the unit all LEDs will flash red. When battery voltage reaches an acceptable level all LEDs will turn green. Manual testing can now be performed.
- 2) Depress the "SELECT" button until the indicator for the desired "3 MINUTE", "30 MINUTE" or "ALARM TEST" is illuminated red.
- 3) Depress the "TEST" button to begin the test. The lamps will illuminate for 3 minutes or 30 minutes or the Alarm Tone will be heard during the Alarm Test. The associated manual test indicator will flash red during the test.

CANCELING A MANUAL TEST:

- 4) The manual test can be terminated at any time during testing by depressing both the "SELECT" and "TEST" buttons simultaneously (RESET).

CLEARING AN ERROR CONDITION:

- 5) Correct the condition that caused the failure (See STATUS INDICATOR DIRECTORY Below). Then depress both the "SELECT" and "TEST" buttons simultaneously to clear the failure indication (RESET).

STATUS INDICATOR DIRECTORY

LAMP INDICATOR RED

Manually test unit to locate defective lamp(s).
Replace defective lamp(s).

BATTERY INDICATOR RED

Check battery connections. If O.K. replace battery.

CHARGER INDICATOR RED

Circuit failure. Replace charger board.

MAINTENANCE:

The F1000T unit automatically test itself in 30 day and 6 month intervals, however, the unit status indicators should be checked periodically.

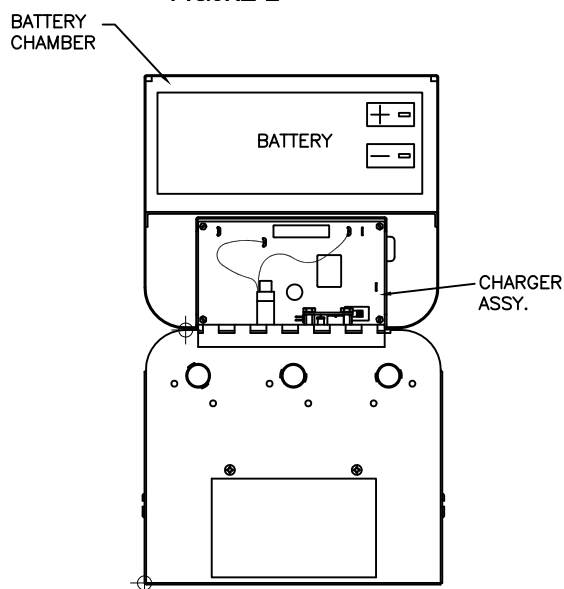


FIGURE 3

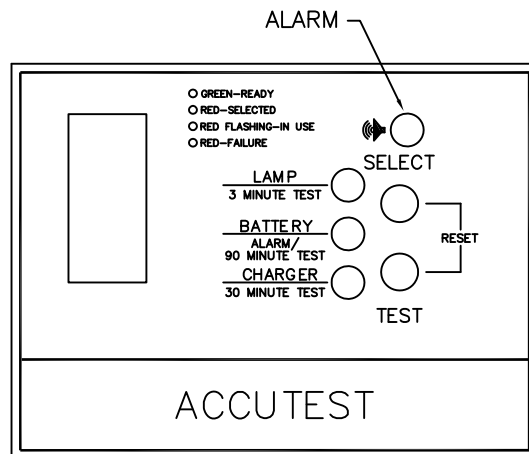
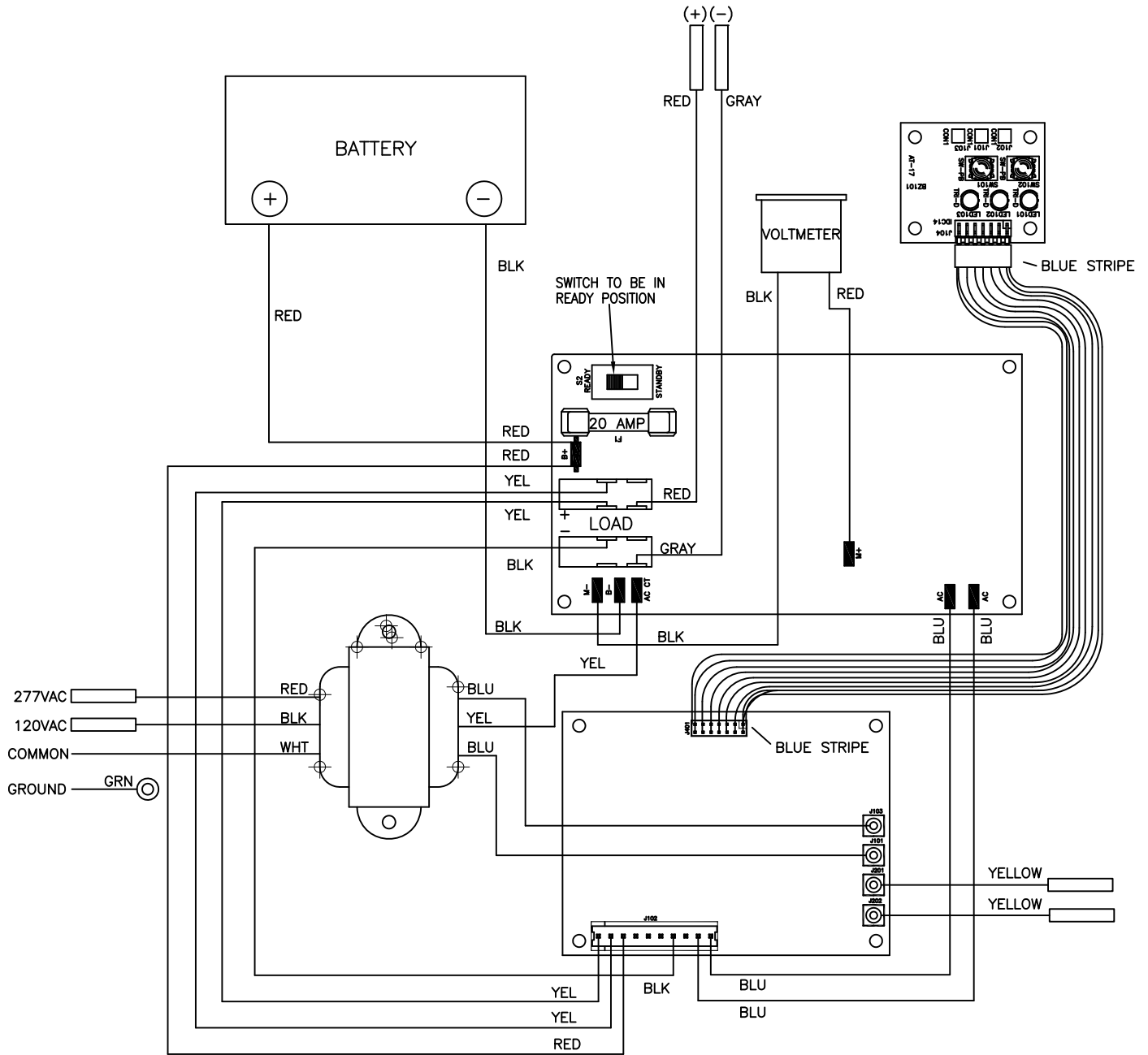


FIGURE 4

F100OT



WIRING DIAGRAM

FIGURE 5

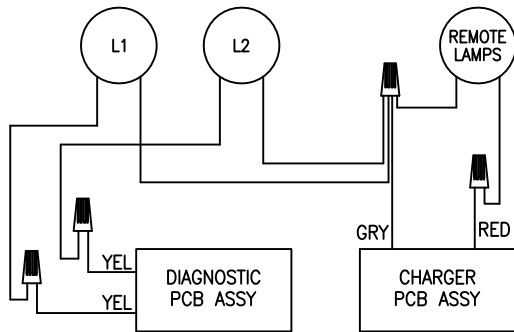


VARIOUS LAMP HOOKUP CONFIGURATIONS FOR F100T SELF DIAGNOSTICS UNIT EQUIPMENT

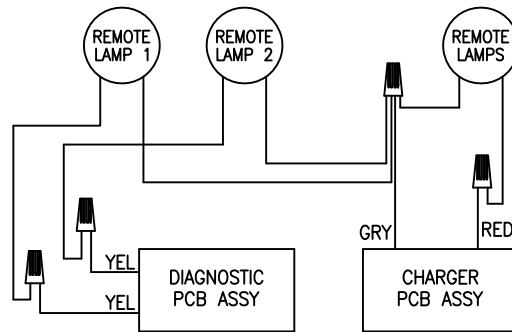
CAUTION:

1. The total watts on the self-diagnostic lamp load connection should not exceed 30 watts max per branch.
 2. Do not short out self-diagnostic lamp load wires to ground.
- Failure to properly follow conditions stated above may result in damage to the unit.

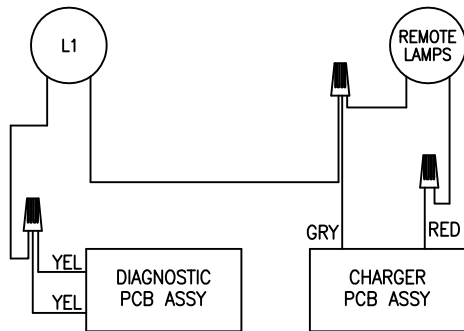
1) TWO UNIT MOUNTED LAMPS MONITORED BY SELF DIAGNOSTICS



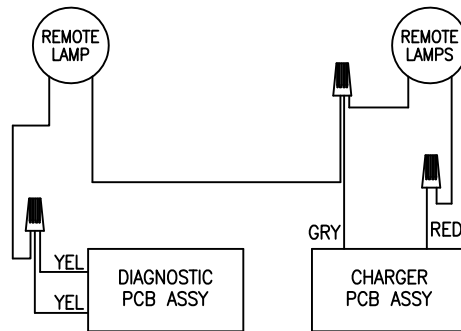
4) WITHOUT UNIT MOUNTED LAMPS, MONITORING TWO REMOTE LAMPS WITH SELF DIAGNOSTICS



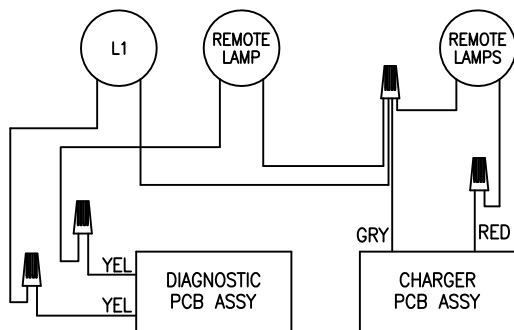
2) ONE UNIT MOUNTED LAMP MONITORED BY SELF DIAGNOSTICS



5) WITHOUT UNIT MOUNTED LAMPS, MONITORING ONE REMOTE LAMP WITH SELF DIAGNOSTICS



3) ONE UNIT MOUNTED LAMP AND ONE REMOTE LAMP MONITORED BY SELF DIAGNOSTICS



6) UNIT WITH SELF DIAGNOSTICS MONITORING NO LAMPS

