

Day-Brite CFI

by Signify

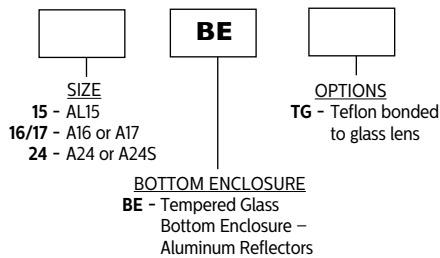
Industrial

Indoor high bay bottom enclosures & wire guards

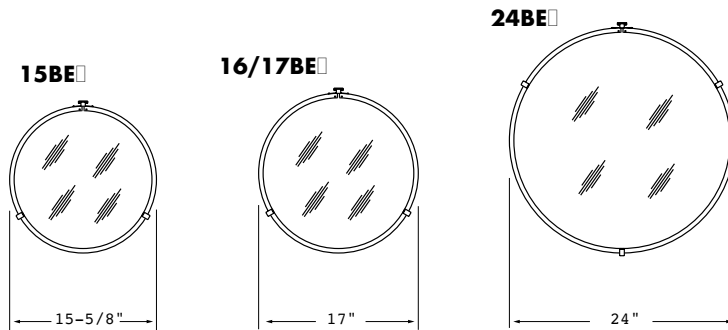
Project: _____
 Location: _____
 Cat.No: _____
 Type: _____
 Lamps: _____ Qty: _____
 Notes: _____

Ordering Matrix

SAMPLE CATALOG NUMBER: 16/17BE

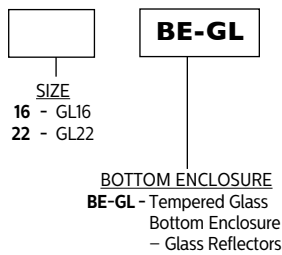


Dimensions

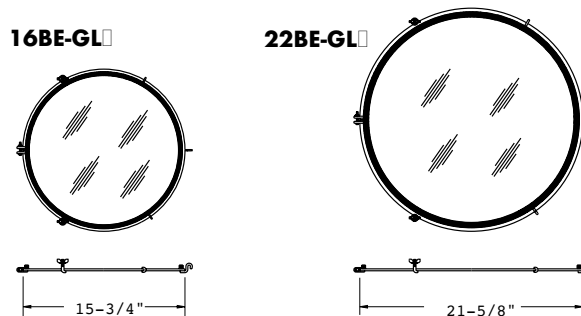


Ordering Matrix

SAMPLE CATALOG NUMBER: 16BE-GL

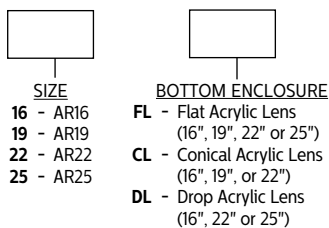


Dimensions

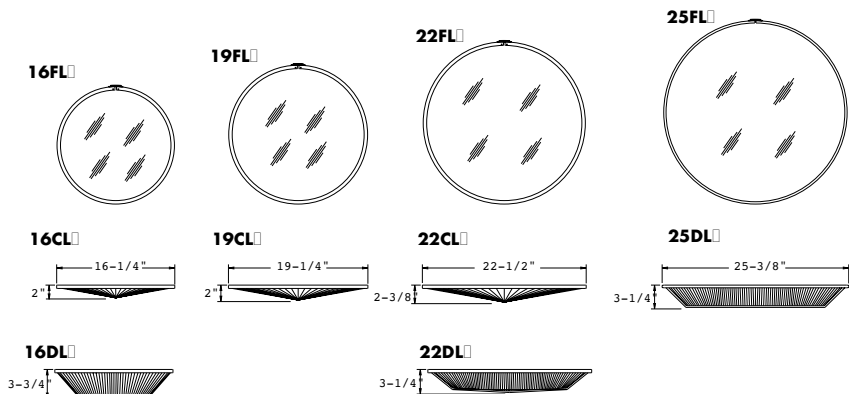


Ordering Matrix

SAMPLE CATALOG NUMBER: 19FL



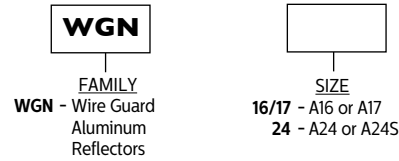
NOTE: Consult Specification Sheets for luminaires that use acrylic reflectors to find ambient temperature information.



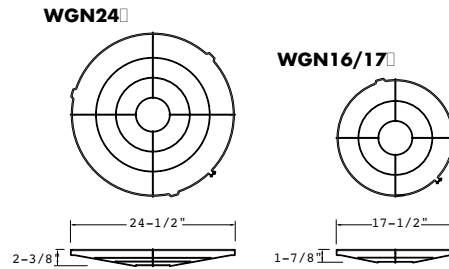
Indoor Bottom Enclosures & Wire Guards

Ordering Matrix

SAMPLE CATALOG NUMBER: WGN16/17

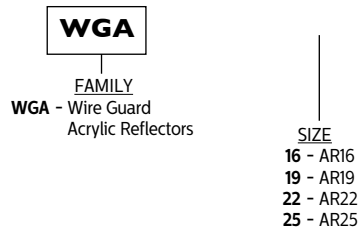


Dimensions

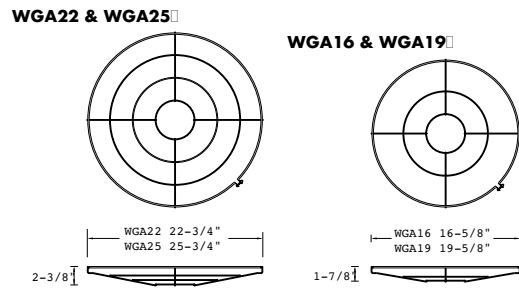


Ordering Matrix

SAMPLE CATALOG NUMBER: WGA19



Dimensions

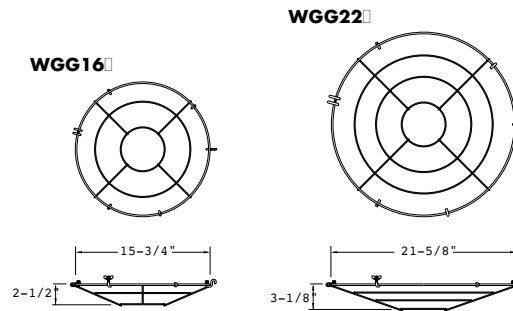


Ordering Matrix

SAMPLE CATALOG NUMBER: WGG16

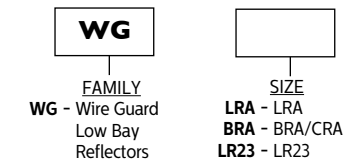


Dimensions



Ordering Matrix

SAMPLE CATALOG NUMBER: WGBRA



Dimensions

