

## Installation Instruction Sheet

### Linear Fixtures

#### INSTALLATION INSTRUCTIONS FOR WALL MOUNTED LINEAR FIXTURES

##### WARNING

To reduce the risk of death, injury or property damage from fire, electric shock, cuts, abrasions, falling parts and other hazards:

- Service of the equipment must be performed by qualified service personnel.
- Installation and maintenance must be performed by a person familiar with the construction and operation of this product and any hazards involved. All applicable codes and ordinances must be followed.
- Read this document before installing, servicing or maintaining this equipment or installing a lamp. These instructions do not cover all installation, service and maintenance situations. If your situation is not covered, or, if you do not understand these instructions or additional information is required, contact Lux Illuminaire or your local agent.
- Read and follow all warnings and instructions provided by the LED manufacturer.

##### WARNING

- Before installing, servicing or maintaining this equipment, follow these general precautions. To reduce the risk of electrocution:
- Make sure the equipment is properly grounded.
- Always de-energize the circuit and/or equipment before connecting to, disconnecting from or servicing the equipment.

To prevent luminaire row from over-current:

- By adding the input current of each luminaire section marked on the luminaire, the total current per power feed must not exceed the maximum line wire amperage marked on the luminaire and the power feed cord/wire amperage rating whichever is the least.

To reduce the risk of fire:

- Keep material away that can burn from hot surfaces.
- Make sure lamps are correctly installed.
- Use supply conductors with a minimum installation temperature rating as specified on equipment.

To reduce the risk of personal injury from cuts, abrasions or falling parts:

- Wear gloves to prevent cuts or abrasions from sharp edges when removing from carton, handling and maintaining this equipment.
- Do not use abrasive materials, glass cleaners or other solvents on reflector or lens. These substances may damage equipment and cause parts to eventually break and fall.
- Do not install a damaged fixture.

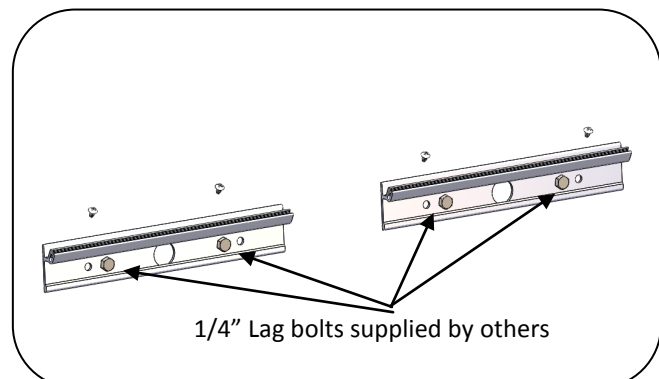
Hardware for fixture:

##### Mounting Brackets

(2) 4' fixture or (3) for 8' fixture

##### Screws

(4) Screws #10– 3/8"



Installation Instruction Sheet

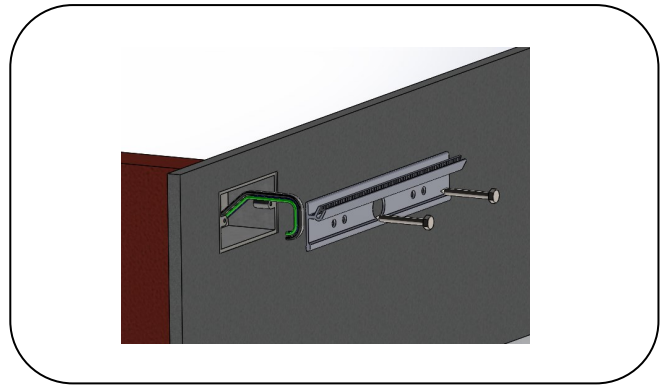
Linear Fixtures

INSTALLATION INSTRUCTIONS FOR WALL MOUNTED FIXTURES

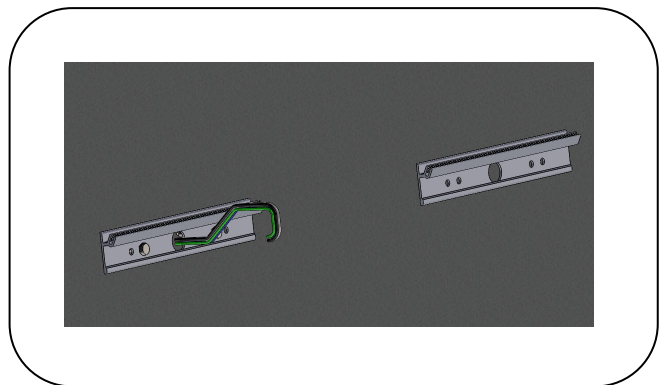
Prepare feed location with 2" horizontal junction with building power insuring power is disconnected.

Place 1st wall bracket over junction box using a laser or level and align the bottom of the bracket with the bottom of the junction box. (Sandwich decorative plate between bracket and junction box to eliminate any access to box)

Pull building power wires through the large hole in the mounting bracket

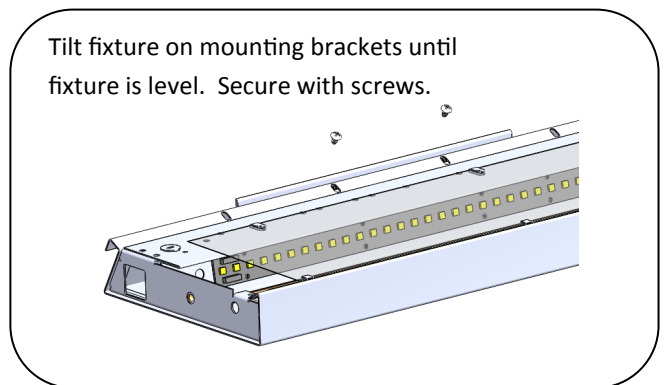


Mount bracket that supports far end of the fixture making sure both brackets are the same height and level. For an 8 foot fixture 3 brackets are included.

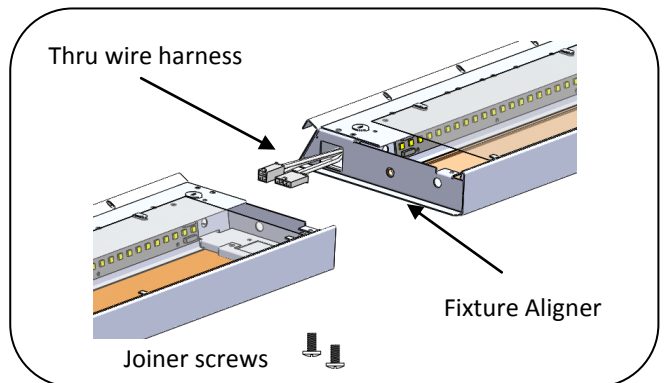


Align fixture over the mounting brackets after making the electrical connections to the building power. Use supplied screws to secure housing to brackets.

Tilt fixture on mounting brackets until fixture is level. Secure with screws.



For continuous runs, attach harness between fixtures and secure with joiner screws.



**WARNING**

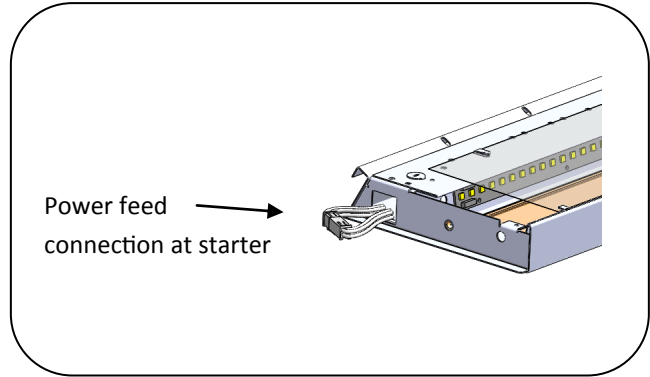
Risk of fire or electric shock! Disconnect power before installation. Installation to be performed by an electrician in accordance with NEC and local codes.

Installation Instruction Sheet

Linear Fixtures

INSTALLATION INSTRUCTIONS FOR POWER FEED

For feed locations, Attach the 24" harness that extends from the hole in the rear of the fixture to the end of the thru harness. Attach 24" dimming harness where dimming is required.



| For special circuitry consult factory |                     |
|---------------------------------------|---------------------|
| LINE WIRE COLOR                       | CIRCUIT DESCRIPTION |
| BLK                                   | CIRCUIT A—HOT       |
| WHT                                   | CIRCUIT A – NEUTRAL |
| GRN                                   | GROUNDING           |
| VLT                                   | DIMMING CONTROL 1   |
| GRY                                   | DIMMING CONTROL 2   |

Compliant to UL 1598



General Wiring Diagram

