

## Installation Instruction Sheet

### Linear Fixtures

#### INSTALLATION INSTRUCTIONS FOR JOINER FIXTURES WITH “YOKE MOUNT” HANGER AND ALIGNER PLATE

##### WARNING

To reduce the risk of death, injury or property damage from fire, electric shock, cuts, abrasions, falling parts and other hazards:

- Service of the equipment must be performed by qualified service personnel.
- Installation and maintenance must be performed by a person familiar with the construction and operation of this product and any hazards involved. All applicable codes and ordinances must be followed.
- Read this document before installing, servicing or maintaining this equipment or installing a lamp. These instructions do not cover all installation, service and maintenance situations. If your situation is not covered, or, if you do not understand these instructions or additional information is required, contact Lux Illuminaire or your local agent.
- Read and follow all warnings and instructions provided by the LED manufacturer.

##### WARNING

- Before installing, servicing or maintaining this equipment, follow these general precautions. To reduce the risk of electrocution:
- Make sure the equipment is properly grounded.
- Always de-energize the circuit and/or equipment before connecting to, disconnecting from or servicing the equipment.

To prevent luminaire row from over-current:

- By adding the input current of each luminaire section marked on the luminaire, the total current per power feed must not exceed the maximum line wire amperage marked on the luminaire and the power feed cord/wire amperage rating whichever is the least.

To reduce the risk of fire:

- Keep material away that can burn from hot surface.
- Make sure components are correctly installed.
- Use supply conductors with a minimum installation temperature rating as specified on equipment.

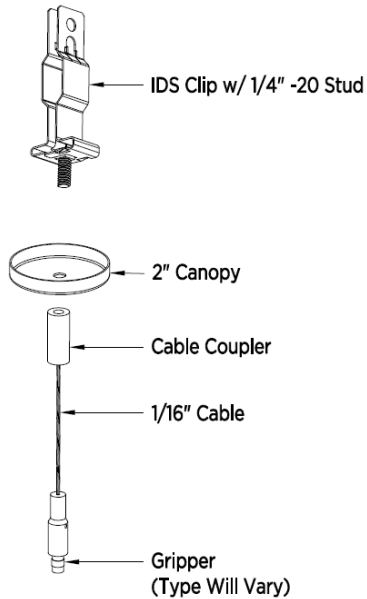
To reduce the risk of personal injury from cuts, abrasions or falling parts:

- Wear gloves to prevent cuts or abrasions from sharp edges when removing from carton, handling and maintaining this equipment.
- Do not use abrasive materials, glass cleaners or other solvents on reflector or lens. These substances may damage equipment and cause parts to eventually break and fall.
- Do not install a damaged fixture.

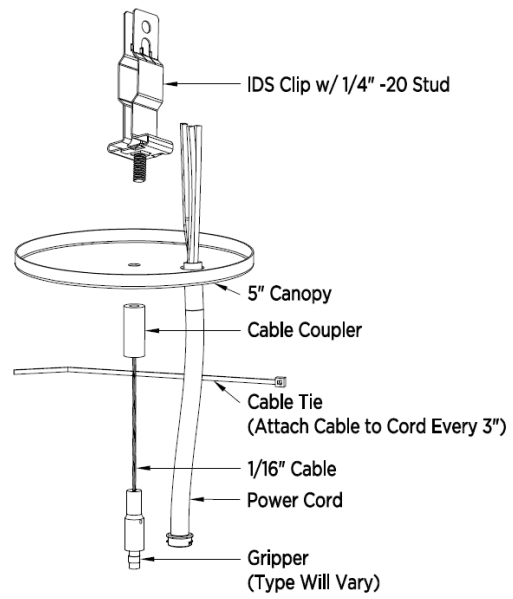
Typical Mounting Configurations

Linear Fixtures

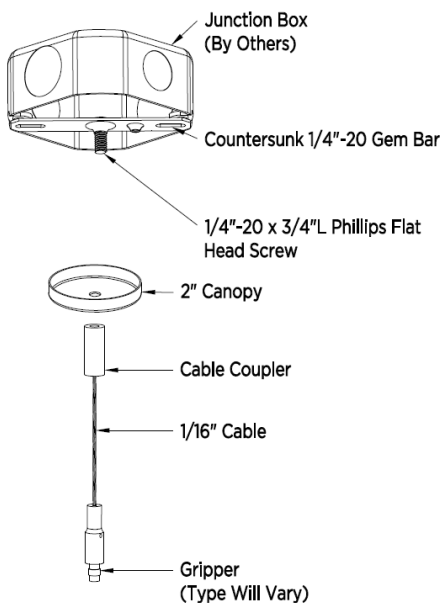
Drop Ceiling System (Non Feed)



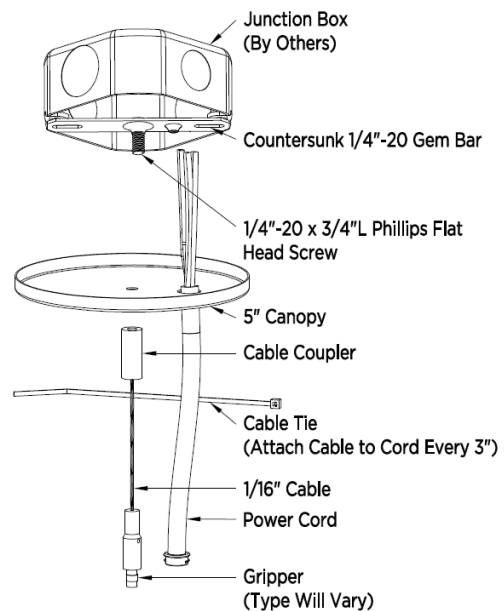
Drop Ceiling System (Feed)



Hard Ceiling System (Non Feed)



Hard Ceiling System (Feed)



Installation Instruction Sheet

Linear Fixtures

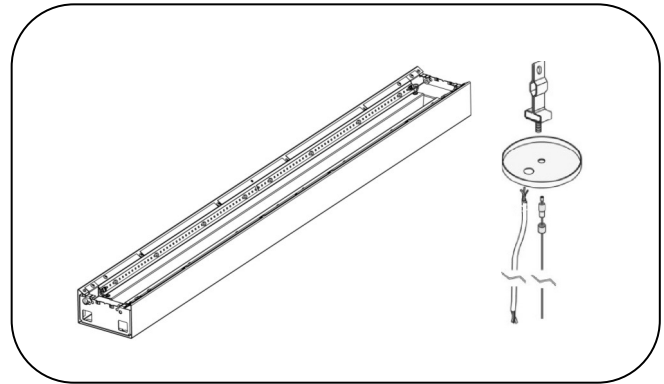
INSTALLATION INSTRUCTIONS FOR INDIVIDUAL FIXTURE WITH “YOKE MOUNT” HANGER

**NOTE:** Housing profile may differ from image shown

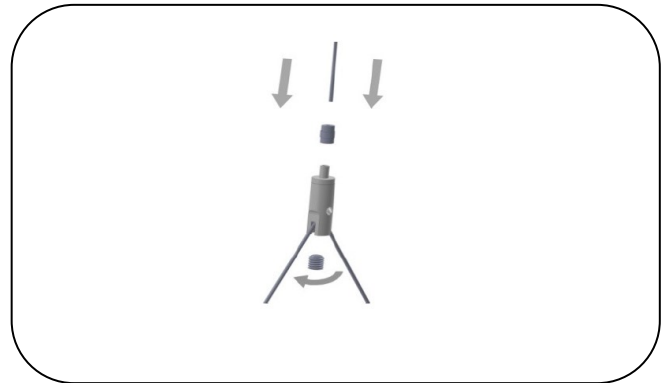
Hardware for individual fixture: “Yoke mount”

(2) Twist grip cable assembly

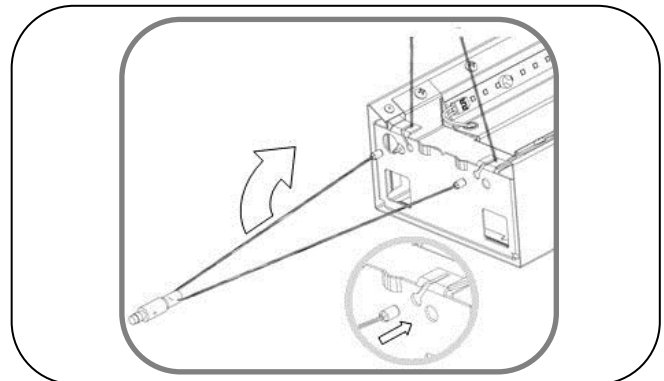
(2) Two screws #8– 3/8”



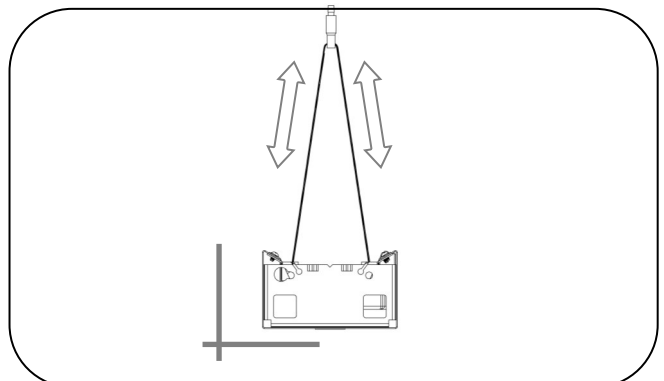
Install ceiling drop cable into the twist grip “Yoke mount” assembly as shown.



Install “YOKE MOUNT” cable assembly at ends of fixture. Fit assembly into keyway and rotate assembly to be perpendicular with fixture.



Align fixture to have it straight and level by adjusting the cable.



**▲ WARNING**

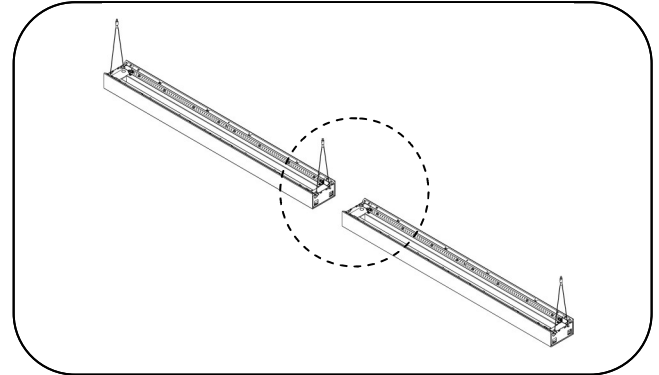
Risk of fire or electric shock! Disconnect power before installation. Installation to be performed by an electrician in accordance with NEC and local codes.

Installation Instruction Sheet

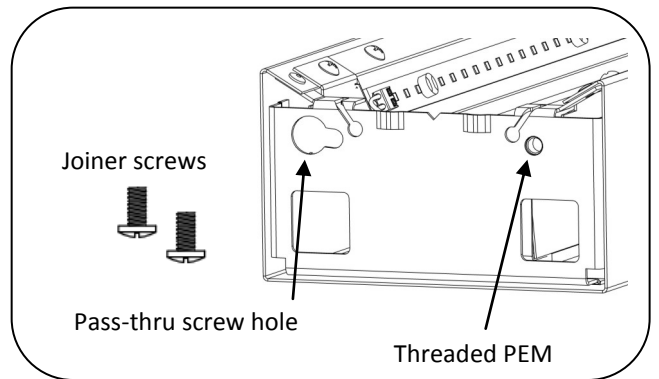
Linear Fixtures

INSTALLATION INSTRUCTIONS FOR JOINER FIXTURES WITH “YOKE MOUNT” HANGER AND ALIGNER PLATE

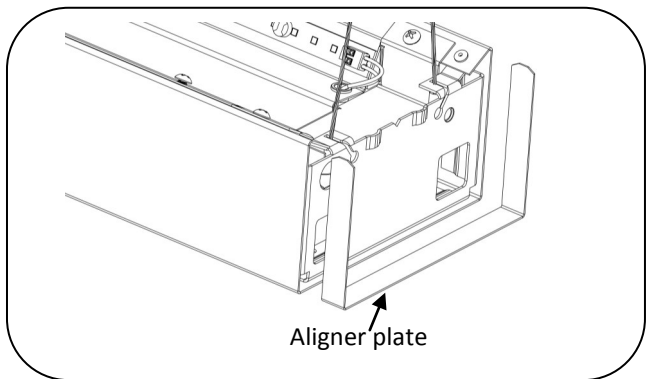
Install 1st fixture with two cables, then install the 2nd fixture with one cable at the opposite end of the joint.



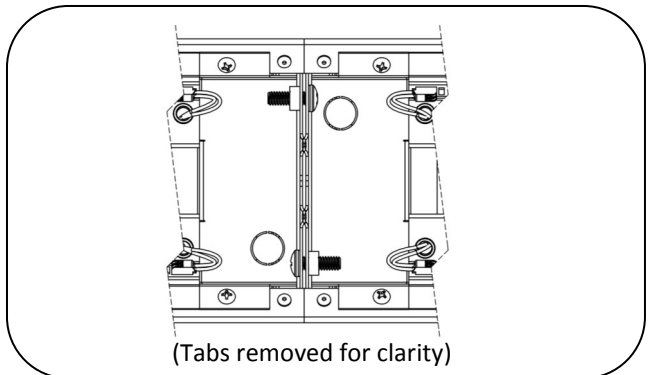
Detail image indicates the location of the threaded PEM nut (Right) and screw pass thru hole (LEFT). Two joiner screws and the aligner plate will connect the fixtures.



Insert the aligner plate in to the 2nd fixture and then push both fixtures together. Place the joiner screws through the pass thru holes and in to the threaded PEM nuts of the adjoining fixture. Fasten by tightening the joiner screws into the PEM nuts



Do not over tighten one joiner screw until the other joiner screw is seated tight.

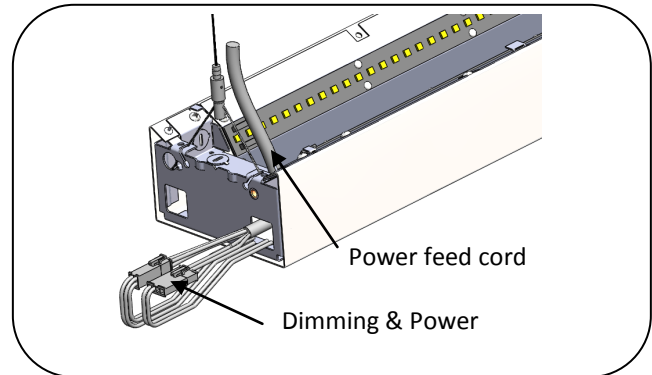


## Installation Instruction Sheet

### Linear Fixtures

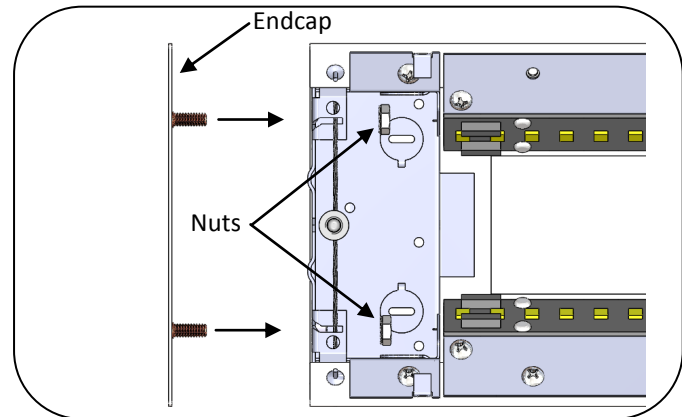
#### INSTALLATION INSTRUCTIONS FOR POWER FEED

Insert power cord through knockout on the first fixture at the male connector end. Plug in the wire connectors. Hook cable hanger onto fixture joiner.



#### ENDCAP INSTALLATION:

Place endcap studs through holes at the end of each fixture run and fasten with supplied nuts



| For special circuitry consult factory |                     |
|---------------------------------------|---------------------|
| LINE WIRE COLOR                       | CIRCUIT DESCRIPTION |
| BLK                                   | CIRCUIT A—HOT       |
| WHT                                   | CIRCUIT A – NEUTRAL |
| GRN                                   | GROUNDING           |
| VLT                                   | DIMMING CONTROL 1   |
| GRY                                   | DIMMING CONTROL 2   |

### General Wiring Diagram (with Dimming)

