

LIGHT SOURCE

Long life name brand LED chips and boards to ensure the highest of quality while providing even and smooth illumination throughout our luminaires.

Our luminaires are available in 2700K, 3000K, 3500K and 4000K color temperature as well as White Color Tuning (2700-6500K).

Optional 80CRI or 90CRI available in all CCT options.

LUMEN MAINTENANCE

The projected lumen maintenance of the name brand mid-powered LED's are projected to maintain 80% (L80) of their initial output for +80,000 hours.

CONSTRUCTION

The housings are constructed of (6063T5) extruded aluminum. Our internal joiner system is designed to the highest of standards to ensure our precision cut housings align and fit tightly without light leak. Our precision fitting end caps are constructed out of die cast aluminum and our steel reflectors are painted white.

FINISH

Polyester powder, low gloss textured paint finish applied after a multi-stage pretreatment. Standard luminaire finishes include white, silver, and black. Custom color options are available. (Consult Factory).

JOINER CONNECTION FOR CONTINUOUS RUNS

Canopy with power feed drop must be sealed with waterproof sealant by installer.

For more information reference the Installation Guide on our website at: <https://www.luxilluminaire.com/installation-instructions>

OPTICS

Snap in extruded frosted acrylic lens

DRIVERS

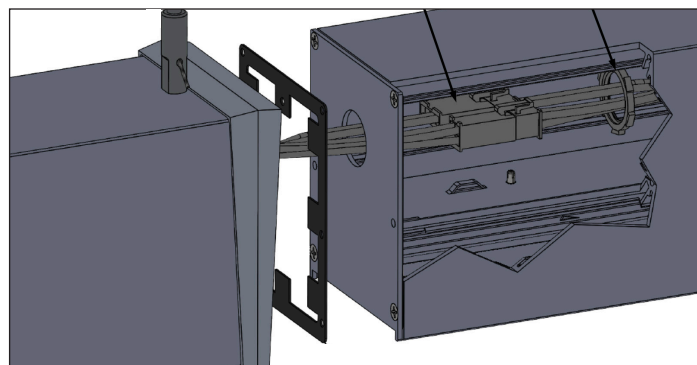
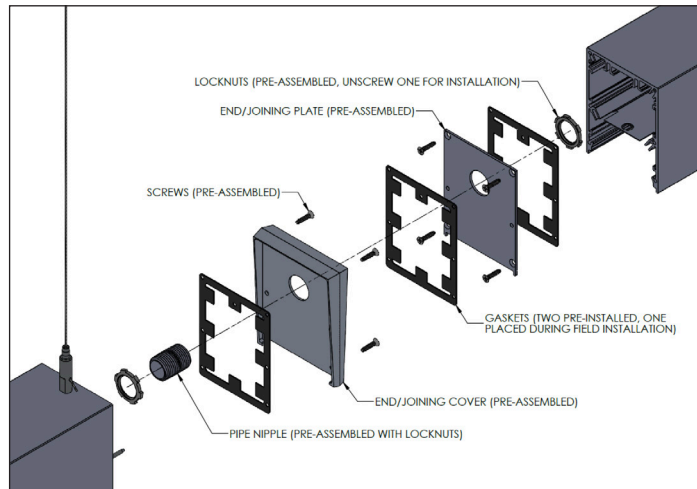
All of our luminaires come standard with 1% dimming and THD <20% utilizing 0-10v constant current protocol. 120v/277v is standard with the option of 347v. Driver ambient operating temperature -30°C to +50°C.

EMERGENCY

An integral factory installed 10 watt emergency battery pack. Emergency circuit and Night Light circuit options are available.

LUMINAIRE LENGTH

Our EOS 3.0 Pendant Direct WET luminaire series are available in 2', 3', 4', 5', 6', 7' and 8' individual lengths or continuous row configurations. Continuous row configurations are joined together on-site utilizing the joiner kits provided.



CONTINUOUS RUN ORDER GUIDES

Please use the following run guides for fixture ordering. If your product will require a submittal, our in-house Application Engineering Team will work closely with you on your project.

ALUMINUM PRODUCT ORDER GUIDE	
RUN LENGTH (ft)	RUN CONFIGURATION - SECTION LENGTHS
9	6' + 3'
10	6' + 4'
11	6' + 5'
12	6' + 6'
13	6' + 7'
14	8' + 6'
15	8' + 7'
16	8' + 8'
17	6' + 5' + 6'
18	6' + 6' + 6'
19	6' + 7' + 6'
20	8' + 4' + 8'
21	8' + 5' + 8'
22	8' + 6' + 8'
23	8' + 7' + 8'
24	8' + 8' + 8'
25	5' + 8' + 8' + 4'
26	4' + 6' + 6' + 6' + 4'
27	6' + 8' + 8' + 5'
28	6' + 8' + 8' + 6'
29	7' + 8' + 8' + 6'

*Standard Run Configurations Shown, Consult Factory for Custom Configurations.

ALUMINUM PRODUCT ORDER GUIDE	
RUN LENGTH (ft)	RUN CONFIGURATION - SECTION LENGTHS
30	6' + 6' + 6' + 6' + 6'
31	6' + 6' + 7' + 6' + 6'
32	8' + 8' + 8' + 8'
33	5' + 8' + 8' + 8' + 4'
34	6' + 8' + 8' + 8' + 4'
35	6' + 8' + 8' + 8' + 5'
36	6' + 8' + 8' + 8' + 6'
37	8' + 8' + 5' + 8' + 8'
38	8' + 8' + 6' + 8' + 8'
39	8' + 8' + 7' + 8' + 8'
40	8' + 8' + 8' + 8' + 8'
41	5' + 8' + 8' + 8' + 8' + 4'
42	6' + 8' + 8' + 8' + 8' + 4'
43	6' + 8' + 8' + 8' + 8' + 5'
44	6' + 8' + 8' + 8' + 8' + 6'
45	7' + 8' + 8' + 8' + 8' + 6'
46	3' + 8' + 8' + 8' + 8' + 8' + 3'
47	4' + 8' + 8' + 8' + 8' + 8' + 3'
48	8' + 8' + 8' + 8' + 8' + 8'
49	5' + 8' + 8' + 8' + 8' + 8' + 4'
50	6' + 8' + 8' + 8' + 8' + 8' + 4'

*Standard Run Configurations Shown, Consult Factory for Custom Configurations.

