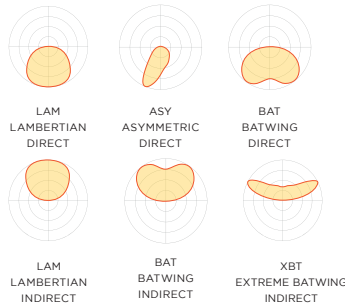
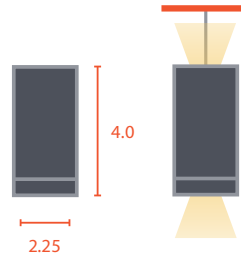


**STANDARD FINISHES**  
Black, White, & Silver



DIRECT LIGHT	UP TO 126 lm/W PERFORMANCE			
	INDIRECT LIGHT			
	375 lm/ft	500 lm/ft	750 lm/ft	1000 lm/ft
375 lm/ft	6.28	7.10	9.00	11.03
500 lm/ft	7.45	8.30	10.20	12.20
750 lm/ft	9.93	10.75	12.65	14.68
1000 lm/ft	12.45	13.28	15.18	17.20

Performance based on 4-foot Luminaire at 4000K @ 25-degrees C



LIGHT LOSS FACTOR		
CCT	CRI	%
4000K	84+	100%
3500K	84+	97%
3000K	84+	95.7%
2700K	84+	94.1%
4000K	92+	88.9%
3500K	92+	85.5%
3000K	92+	83.8%
2700K	92+	82.4%



## ORDER GUIDE

EOS 2.0-P-DI	A	B	C	D	E	F	G	H	I	J	K	L	M	N	O	P, Q (Multiple Selections)
EXAMPLE	LAM	1000	LAM	500	6	40K	8	1	UNV	SI	W	9C	24	WC, WF		

## OPTIONS

A. MODEL	B. DIRECT OPTICS	C. DIRECT DISTRIBUTION	D. INDIRECT OPTICS	E. INDIRECT DISTRIBUTION	F. LENGTH	G. COLOR TEMPERATURE
Q EOS 2.0-P-DI	Q LAM Lambertian Q ASY Asymmetric Q BAT Batwing	Q 375 375 lm/ft Q 500 500 lm/ft Q 750 750 lm/ft Q 1000 1000 lm/ft Q XXX Custom lm/ft	Q LAM Lambertian Q BAT Batwing Q XBT Extreme Batwing	Q 375 375 lm/ft Q 500 500 lm/ft Q 750 750 lm/ft Q 1000 1000 lm/ft Q XXX Custom lm/ft	Q 3 3 ft (36 in) Q 4 4 ft (48 in) Q 5 5 ft (60 in) Q 6 6 ft (72 in) Q 7 7 ft (84 in) Q 8 8 ft (96 in) Q XXX System Run PAT xSH Pattern	Q 27K 2700K Q 30K 3000K Q 35K 3500K Q 40K 4000K Q WCT White Color Tuning 2700K - 6500K

### NOTES

Asymmetric direction is determined by lens position. Field adjustable for right or left throw.	Consult factory for outputs between min and max.	Consult factory for outputs between min and max.	Refer to Pattern configuration guide below for nomenclature. Please see Pattern Guide on p.2 for further details.	WCT - max lm/ft is 1000 based on 80 CRI and 4000K. Other CCT's are available consult factory.
PAT	12X24	L	H	
W	X	Y	Z	

H. CRI	I. CIRCUIT	J. VOLTAGE	K. DRIVER	L. FINISH	M. MOUNTING
Q 8 80+ CRI Q 9 90+ CRI	Q 1 1-Circuit Q 2 2-Circuit	Q UNV 120-277v Q 347 347v	Q SI 1% Dimming (0-10v) Q LDE1 Lutron Hi-Lume 1% Fade to Black Q ELO 0.1% EldoLED Q DXL 1% Dexal	Q W White Q B Black Q S Silver Q CC Custom Colors	Q 9C 9/16 in Tee Clip Q 15C 15/16 in Tee Clip Q SC Screw Slot Tee Clip Q HC Hard Ceiling

90 CRI option has an R9 value greater than 60.	347 may not be available in all configurations.	AWN-R-W, AWNR-B, VDO, VRF, SPD, & CLM options supplied with DXL driver standard.	Consult factory for custom colors.(power feeds and canopies excluded)
--	---	--	---

## OPTIONS

N. SUSPENSION LENGTH	O. POWER FEEDS & CANOPIES	P. CONTROLS & FACTORY OPTIONS	Q. QUICKSHIP
Q 24 24 in Q 42 42 in Q 102 102 in Q 150 150 in	Q WF White Power Feed Q BF Black Power Feed Q SF Silver Power Feed Q WC White Canopy Q BC Black Canopy Q SC Silver Canopy	Q NONE Leave Blank Q AWNR-W Lutron Athena Wireless Node (RF-only) in White Q AWNR-B Lutron Athena Wireless Node (RF-only) in Black Q VDO Lutron Vive (RF/Daylight/Occ) Q VRF Lutron Vive RF Fixture Control SPD Osram SensiLUM Daylight/Harvest/Occ CLM Osram Connecting Light Module (CLM) DAY Wattstopper Daylight Sensor (FD-30)	Q QS10 QuickShip 10 - Day (Depletion Policy; Subject to Availability) RS4

Each individual suspension length is adjustable.	Select feed and canopy choice.	AWN-R-W, AWNR-B, VDO, VRF, SPD, & CLM options supplied with DXL driver standard. Drop lens is for direct distribution only; available only on individual units EB option only available for lengths greater than 4ft. May choose more than one option in this category.	Please see note on p.2 for further details regarding QuickShip.
--	--------------------------------	--	---

**LIGHT SOURCE**

Long life name brand LED chips and boards to ensure the highest of quality while providing even and smooth illumination throughout our luminaires.

Our luminaires are available in 2700K, 3000K, 3500K and 4000K color temperature as well as White Color Tuning (2700-6500K).

Optional 80CRI or 90CRI available in all CCT options.

**LUMEN MAINTENANCE**

The projected lumen maintenance of the name brand mid-powered LED's are projected to maintain 80% (L80) of their initial output for +80,000 hours.

**CONSTRUCTION**

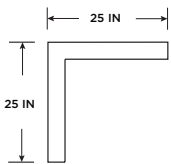
The housings are constructed of (6063T5) extruded aluminum. Our internal joiner system is designed to the highest of standards to ensure our precision cut housings align and fit tightly without light leak. Our precision fitting end caps are constructed out of die cast aluminum and our steel reflectors are painted white.

**FINISH**

Polyester powder, low gloss textured paint finish applied after a multi-stage pretreatment. Standard luminaire finishes include white, silver, and black. Custom color options are available. (Consult Factory).

**CORNERS**

Precision mitered and seam welded corners are fully illuminated.



**OPTICS**

Snap in extruded frosted acrylic lens

**DRIVERS**

All of our luminaires come standard with 1% dimming and THD <20% utilizing 0-10v constant current protocol. 12v/277v is standard with the option of 347v. Driver Ambient Operating Temperature -30°C to +50°C.

**EMERGENCY**

An integral factory installed 10 watt emergency battery pack. Emergency circuit and Night Light circuit options are available.

**LUMINAIRE LENGTH**

Our EOS 2.0 Pendant Direct/Indirect luminaire series are available in 3', 4', 5', 6', 7' and 8' individual lengths or continuous row configurations. Continuous row configurations are joined together on-site utilizing the joiner kits provided.

**LUMINAIRE WEIGHT**

The approximate weight of a four foot luminaire is 12 lbs Including end caps assembled.

**QUICKSHIP**



Indicates QuickShip option 10-day lead times.

Up to 500 linear feet or 100 individual luminaires. Consult Factory for larger projects.

**PLEASE NOTE:**

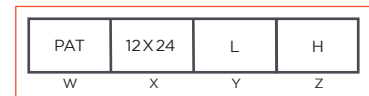
- 10-day lead times do not include weekends or holidays.
- A clean order must be received by 12:00 PM EST. All orders received after 12:00 PM EST will be entered the following day.
- Changing orders of any kind will require a new ESD.
- All QuickShip items must be on a separate PO.

**PATTERN GUIDE**

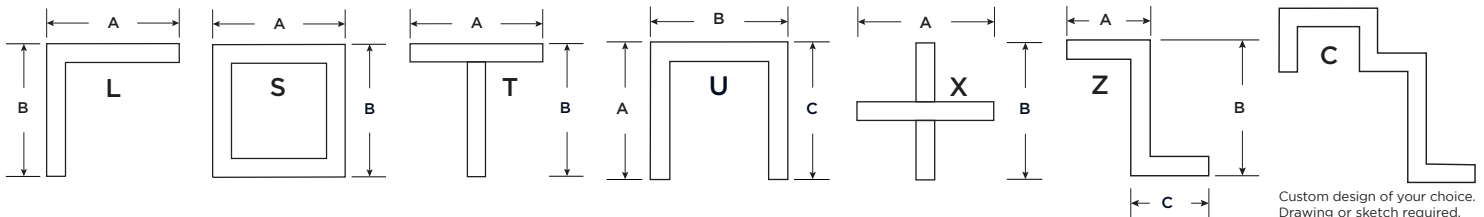
W. PATTERN		X. TOTAL FEET OF PATTERN		Y. PATTERN CODE		Z. PATTERN ORIENTATION	
Pattern	PAT	Enter length of each segment in pattern separated by an "x"	AxB AxBxC	L Pattern Square or Rectangle T Pattern U Pattern X Pattern Z Pattern Custom Pattern - Sketch or Drawing Required	L S T U X Z C	Horizontal Custom Pattern - Sketch or Drawing Required	H C

**NOTES**

Dimensions for Patterns are based on outside dimensions of the pattern.  
 Patterns in all cases will require a signed-off submittal prior to release of an order.  
 For Patterns created against walls, the layout will be created using inside wall dimensions from drawings received.



Above code gets entered in "F" LENGTH field of ordering guide.



Custom design of your choice. Drawing or sketch required.

## PATTERN GUIDE

V. Centro	W. CENTRO CONNECTOR	X. PATTERN DIMENSIONS	Y. CENTRO FINISH	Z. PATTERN ORIENTATION	
Centro CEN	C-135L C-120L C-90L C-90T C-90X C-120Y C-135Y	135 Degree 2 Link 120 Degree 2 Link 90 Degree 2 Link 90 Degree 3 Link 90 Degree 4 Link 120 Degree 3 Link 135 Degree 3 Link	AxB AxBxC AxBxCxD AxBxCxDxE Total Footage	W B S CC White Black Silver Custom Color	Custom Pattern - Sketch or Drawing Always Required <sup>C</sup>
<i>Run Lengths</i>					

## STANDARD SINGLE LENGTH FIXED CENTRO HUB PATTERN EXAMPLES



135L Centro Hub Fixed connector.

CEN	C-135L	4X4	B	C
V	W	X	Y	Z

**F**

Above code gets entered in "F" LENGTH field of ordering guide.



120L Centro Hub Fixed connector.

CEN	C-120L	4X4	B	C
V	W	X	Y	Z

**F**

Above code gets entered in "F" LENGTH field of ordering guide.



90L Centro Hub Fixed connector.

CEN	C-90L	4X4	B	C
V	W	X	Y	Z

**F**

Above code gets entered in "F" LENGTH field of ordering guide.



90T Centro Hub Fixed connector.

CEN	C-90T	3X3X3	B	C
V	W	X	Y	Z

**F**

Above code gets entered in "F" LENGTH field of ordering guide.



90X Centro Hub Fixed connector.

CEN	C-90X	4X4X4X4	B	C
V	W	X	Y	Z

**F**

Above code gets entered in "F" LENGTH field of ordering guide.



120Y Centro Hub Fixed connector.

CEN	C-120Y	4X4X4	B	C
V	W	X	Y	Z

**F**

Above code gets entered in "F" LENGTH field of ordering guide.



135Y Centro Hub Fixed connector.

CEN	C-135Y	3X3X3	B	C
V	W	X	Y	Z

**F**

Above code gets entered in "F" LENGTH field of ordering guide.

## CUSTOM LENGTH PATTERN EXAMPLES



CEN	C-90T(2) C-90L(4)	76	B	C
V	W	X	Y	Z

**F**

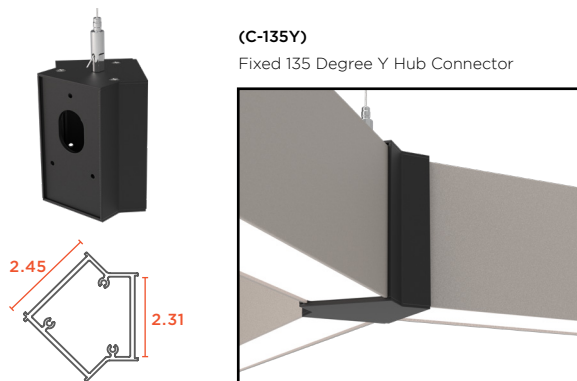
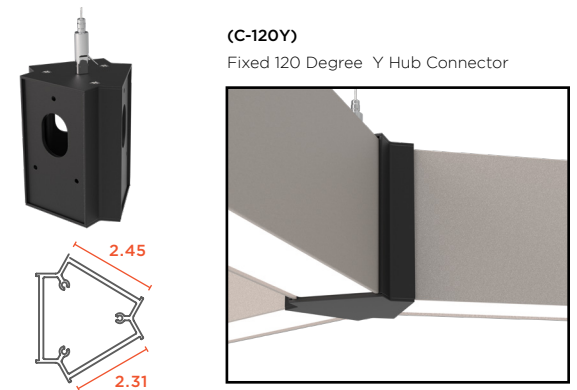
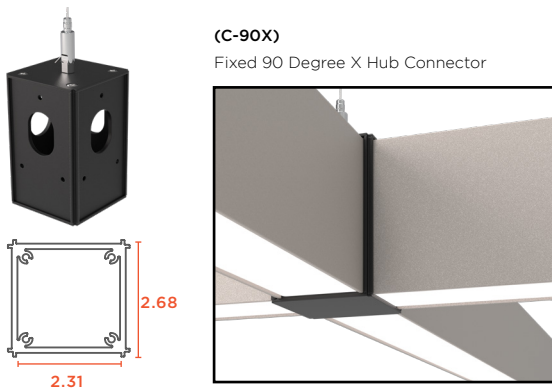
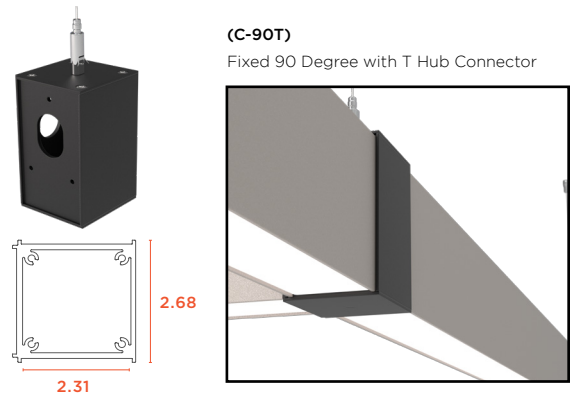
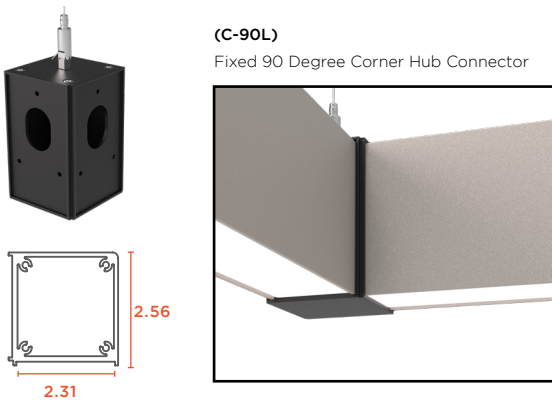
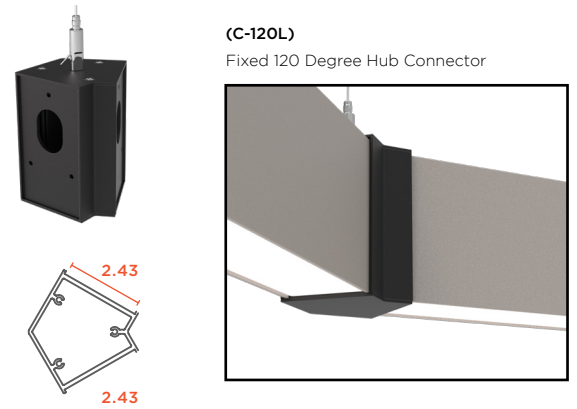
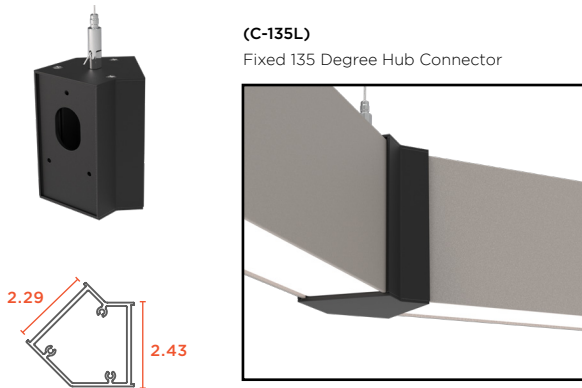
### NOTES

Customer to provide a drawing for all patterns with more than (1) pivot connector



**CENTRO HUB CONNECTORS**

Fixed non-illuminated, connectors allow for power pass through.



CONTINUOUS RUN ORDER GUIDES

Please use the following run guides for fixture ordering. If your product will require a submittal, our in-house Application Engineering Team will work closely with you on your project.

ALUMINUM PRODUCT ORDER GUIDE	
RUN LENGTH (ft)	RUN CONFIGURATION - SECTION LENGTHS
9	6' + 3'
10	6' + 4'
11	6' + 5'
12	6' + 6'
13	6' + 7'
14	8' + 6'
15	8' + 7'
16	8' + 8'
17	6' + 5' + 6'
18	6' + 6' + 6'
19	6' + 7' + 6'
20	8' + 4' + 8'
21	8' + 5' + 8'
22	8' + 6' + 8'
23	8' + 7' + 8'
24	8' + 8' + 8'
25	5' + 8' + 8' + 4'
26	4' + 6' + 6' + 6' + 4'
27	6' + 8' + 8' + 5'
28	6' + 8' + 8' + 6'
29	7' + 8' + 8' + 6'

\*Standard Run Configurations Shown, Consult Factory for Custom Configurations.

ALUMINUM PRODUCT ORDER GUIDE	
RUN LENGTH (ft)	RUN CONFIGURATION - SECTION LENGTHS
30	6' + 6' + 6' + 6' + 6'
31	6' + 6' + 7' + 6' + 6'
32	8' + 8' + 8' + 8'
33	5' + 8' + 8' + 8' + 4'
34	6' + 8' + 8' + 8' + 4'
35	6' + 8' + 8' + 8' + 5'
36	6' + 8' + 8' + 8' + 6'
37	8' + 8' + 5' + 8' + 8'
38	8' + 8' + 6' + 8' + 8'
39	8' + 8' + 7' + 8' + 8'
40	8' + 8' + 8' + 8' + 8'
41	5' + 8' + 8' + 8' + 8' + 4'
42	6' + 8' + 8' + 8' + 8' + 4'
43	6' + 8' + 8' + 8' + 8' + 5'
44	6' + 8' + 8' + 8' + 8' + 6'
45	7' + 8' + 8' + 8' + 8' + 6'
46	3' + 8' + 8' + 8' + 8' + 8' + 3'
47	4' + 8' + 8' + 8' + 8' + 8' + 3'
48	8' + 8' + 8' + 8' + 8' + 8'
49	5' + 8' + 8' + 8' + 8' + 8' + 4'
50	6' + 8' + 8' + 8' + 8' + 8' + 4'

\*Standard Run Configurations Shown, Consult Factory for Custom Configurations.

