

Day-Brite

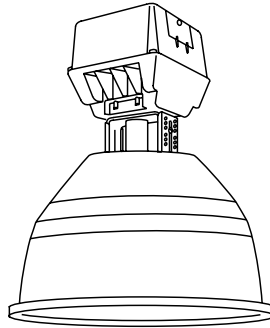
CFI

by Signify

Industrial

HBO high bay

Aluminum reflector
175-400W MH, 200-400W HPS,
175-450W PSMH



Project: _____
Location: _____
Cat.No: _____
Type: _____
Lamps: _____ Qty: _____
Notes: _____

Day-Brite / CFI HBO high bay features open, spun aluminum reflectors for maximum efficiency in general purpose retail, educational and industrial applications.

Ordering guide

Example: HBO400PMT-PSC A17

Ballast Assembly	Wattage	Lamp Source	Voltage	Options	Optical	Optical Options
HBO			—		—	
HBO	175 175 ⁴ 200 200 ³¹ 250 250 320 320 ³⁰ 350 350 ³⁰ 400 400 450 450 ³⁰	M Metal Halide S High Pressure Sodium P Pulse Start Metal Halide (PSC Ballast option must be specified to comply with EISA for 175W-400W)	12 120 20 208 24 240 27 277 34 347 48 480 2T 208/240/277 MT 120/208 240/277 TT 120/277 347 5T 120/208/240/277/480 ⁹⁹	CUL UL Listing to meet CSA standards WEB Pulse Start Electronic Ballast Consult factory for available voltages and ambient temperature rating OR Open Rated Socket (required for metal halide and pulse start metal halide lamps) (Excelsior "pink" socket) PSC Pulse Start CWA Ballast Q Quartz Standby QEM Quartz Emergency ⁴⁰ QTD Quartz Time Delay WDF Wired Double Fuse ⁴⁵ WSF Wired Single Fuse ⁴⁶ 65 65°C Ambient ⁴⁸ NFZ Non Food Zone	A16 Open 16" Aluminum Reflector A17 Open 17" Aluminum Reflector	WT Reflector finished inside and out with White Polyester Powder Coating

Accessories (order separately)

16/17BE Flat Tempered 16" Glass Bottom Enclosure
CH Cover Half for Power Hook (use with PB)
PB Power Box for Power Hook (use with CH)
HP12-3 3' Hook-Cord-Plug Assembly 120V
HP25-3 3' Hook-Cord-Plug Assembly 208-240V
HP27-3 3' Hook-Cord-Plug Assembly 277V
HP48-3 3' Hook-Cord-Plug Assembly 480V
HMR Suspension Hook Male
LMR Suspension Loop Male
SCB3 Ballast Retainer Chain 3'
WGN16/17 Wire Guard
(Refer to Section 18000 for additional accessories.)

Footnotes

⁴Not available in High Pressure Sodium
³⁰Pulse Start Metal Halide Only.
³¹Not available in standard Metal Halide.
⁴⁰Requires 120 volt secondary power supply.
⁴⁵Use with 208, 240, and 480 volt.
⁴⁶Use with 120, 277, and 347 volt.
⁹⁹Consult factory for availability.

General Notes

- All accessories are field installed.
- Mogul base lamp only.
- All options factory installed.
- Use "O"rated, protected metal halide lamps only.
- Ballast assembly and optical assembly to be ordered and shipped separately.
- For open luminaires, open rated lamp and excelsior socket "OR" option are required to meet National Electrical Code.

WARNING: Many Metal Halide lamps are rated for enclosed luminaires only. Some lamps are specifically rated for open luminaires and require an open rated socket (option code - "OR"). Refer to and follow the lamp manufacturer's warnings and instructions.



Standard Metal Halide
Between 175W and 400W
Not available in USA



HBO High bay

Aluminum reflector, 175-400W MH, 200-400WHPS, 175-450W PSMH

Application

- HBO high bay features open, spun aluminum reflectors for maximum efficiency in general purpose retail, educational and industrial applications.

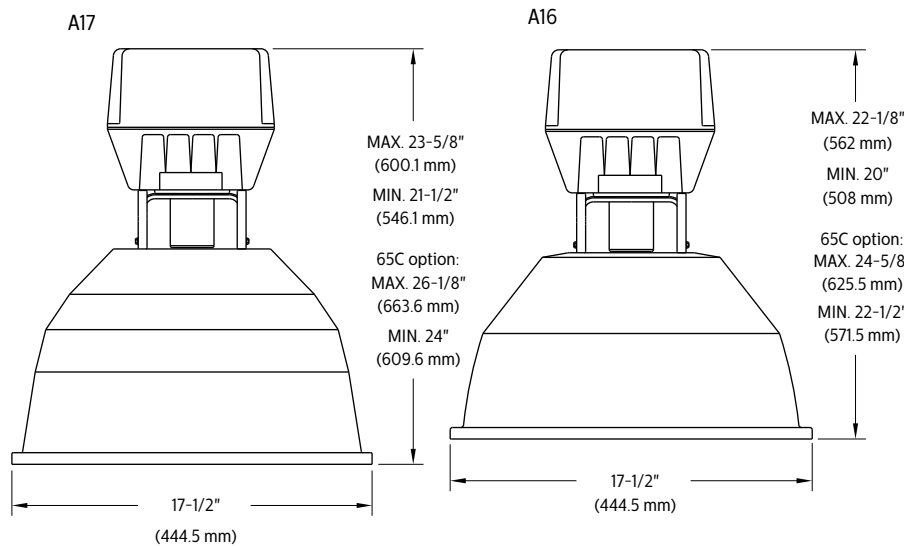
Construction/Finish

- UL 1598 Listed suitable for damp location and 55°C ambient for all lamp wattages listed with magnetic ballast. Consult factory for ambient temperature rating for electronic ballast (WEB option).
- 3/4" threaded cast aluminum nut and hub for easy, positive mounting.

- Large wiring access with captive retainer screw.
- Heavy wall, two piece die cast aluminum housing with white polyester powder finish.
- Day-Brite "Slant 2" ballast mounting for cooler operation. Ballast has high temperature class H insulation and a minimum starting temperature of -40°C (-40°F) for HPS and Pulse Start MH or -30°C (-20°F) for MH

- Heavy gauge yoke provides positive mounting of reflector to ballast assembly and field adjustable light distribution patterns.
- Precision spun heavy gauge aluminum reflector with clear anodized finish.

Dimensions



Energy Data

HIGH PRESSURE SODIUM

CWA BALLAST INPUT WATTS
200 watt-240 watts
250 watt-295 watts
310 watt-365 watts
400 watt-464 watts

METAL HALIDE

BALLAST INPUT WATTS		
	CWA	WEB
175 watt	210 watts	-
200 watt	232 watts	213 watts
250 watt	295 watts	263 watts
320 watt	368 watts	-
350 watt	400 watts	363 watts
400 watt	458 watts	413 watts
450 watt	508 watts	465 watts

HBO High bay

Aluminum reflector, 175-400W MH, 200-400WHPS, 175-450W PSMH

HBO 400W MH A16/POSITION 3																							
MEDIUM SPREAD S/MH = 1.4				TEST NO. 18587																			
DISTRIBUTION CURVE		COEFFICIENTS OF UTILIZATION						AVERAGE BRIGHTNESS				ZONAL SUMMARY				CANDLEPOWER							
		EFFECTIVE FLOOR CAVITY REFLECTANCE 20 PER (pfc=0.20)																					
		CEIL 80 70 50 30 10																					
		WALL 70 50 30 10 70 50 30 10 50 30 10 50 30 10																					
		RCR																					
		0 96 96 96 96 94 94 94 89 89 89 85 85 85 82 82 82																					
		1 90 87 84 81 87 85 82 80 81 79 77 78 76 75 75 73 72																					
		2 83 77 72 69 81 76 71 68 73 69 66 70 67 64 67 65 63																					
		3 76 69 63 58 74 67 62 58 65 60 57 63 59 55 60 57 54																					
		4 70 61 55 50 68 60 54 50 58 53 49 56 52 48 54 51 47																					
		5 65 55 48 43 63 54 48 43 52 47 43 51 46 42 49 45 41																					
6 60 50 43 38 58 49 42 38 47 42 37 46 41 37 44 40 37																							
7 55 45 38 34 54 44 38 33 43 37 33 42 37 33 40 36 32																							
8 51 41 34 30 50 40 34 30 39 34 29 38 33 29 37 32 29																							
9 48 37 31 27 47 37 31 27 36 30 26 35 30 26 34 29 26																							
10 45 34 28 24 44 34 28 24 33 28 24 32 27 24 32 27 24																							
				ZONE		END		45		CROSS		Degrees		Lumens		% Lamp		% Fixture		Angle		Avg. Candela	
				45		79873		82262		77461		(0-30)		10059		25.1		31.0		0		11141	
				55		63647		63965		62422		(0-40)		16316		40.8		50.3		5		10543	
				65		16180		14403		12106		(0-60)		30158		75.4		93.0		15		12025	
				75		6051		5512		4124		(90-90)		31918		79.8		98.4		25		12154	
				85		3015		2031		2154		(90-180)		32442		81.1		100.0		35		9605	
				45		10530		145		369													
				55		6775		155		471													
				65		1121		165		25													
				75		252		175		26													
				85		39																	
COMPARATIVE YEARLY LIGHTING ENERGY COST PER 1000 LUMENS																							
= \$3.38 BASED ON 3000 HRS. AND \$.08 PER KWH.																							
LER=71																							
These photometric results were obtained in the Day-Brite Lighting Laboratory which is NVLAP accredited by the National Institute of Standards and Technology.																							

ADDITIONAL TEST NUMBERS

A16 400 WATT		METAL HALIDE	
SOCKET	S/MH	TEST NUMBER	
POSITION 1	1.0	18589	
POSITION 2	1.2	18588	
POSITION 3	1.3	18587	
POSITION 4	1.7	18586	
POSITION 5	1.7	18585	

A17 400 WATT		HPS	
SOCKET	S/MH	TEST NUMBER	
POSITION 1	0.8	18492	
POSITION 2	1.2	18491	
POSITION 3	1.5	18490	
POSITION 4	2.4	18489	
POSITION 5	2.7	18488	
POSITION 6	3.0	18487	

A17 400 WATT		METAL HALIDE	
SOCKET	S/MH	TEST NUMBER	
POSITION 1	1.0	18486	
POSITION 2	1.3	18485	
POSITION 3	1.6	18484	
POSITION 4	2.2	18483	
POSITION 5	2.4	18482	
POSITION 6	2.5	18481	



Some luminaires use fluorescent or high intensity discharge (HID) lamps that contain small amounts of mercury. Such lamps are labeled, "Contain Mercury" and/or the symbol "HG". Lamps that contain mercury must be disposed of in accordance with local requirements. Information regarding lamp recycling and disposal can be found at www.lamprecycle.org

