

Day-Brite

CFI

by  Signify

443581588890

FLUX PANEL

FLUX PANEL SUSPENSION BRACKET

CAUTION: THE INSTALLATION AND SERVICING OF THIS PRODUCT SHOULD BE PERFORMED BY A QUALIFIED ELECTRICIAN OR SERVICE PERSONNEL

ATTENTION : L'INSTALLATION ET L'ENTRETIEN DE CE PRODUIT DOIVENT ÊTRE EFFECTUÉS PAR UN ÉLECTRICIEN OU UN MEMBRE DU PERSONNEL QUALIFIÉ.



1. Unpack suspension kit and make sure all parts are accounted for. (2 suspension brackets, 12 screws, 2 cross cables, and cable gripper)

2. Unscrew (6) T-grid hooks, **Figure 1.1**, and discard each hook including the (2) screws from each.

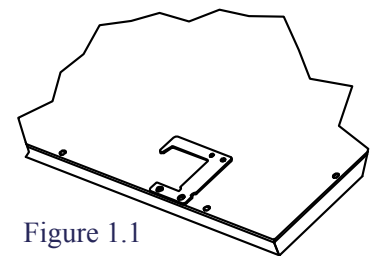


Figure 1.1

3. Place the (2) suspension brackets along the length of the side aligning the holes.

4. Screw the (12) screws included in the kit in the empty holes. **Figure 1.2**

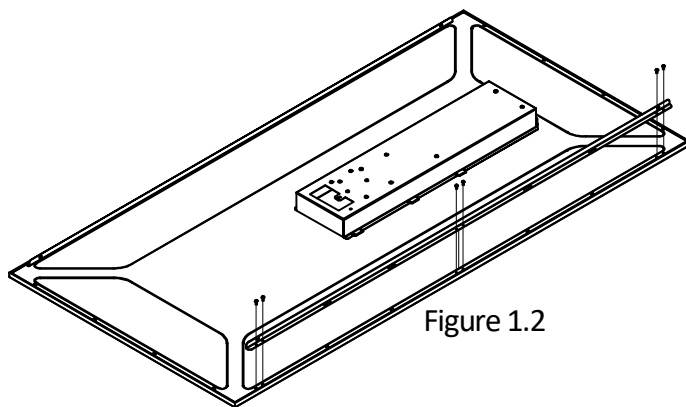


Figure 1.2

5. Attach (2) cross cables and cable gripper to both ends of the luminaire by inserting the cross cable toggles through hanger holes on the suspension bracket previously installed. **Figure 1.3**

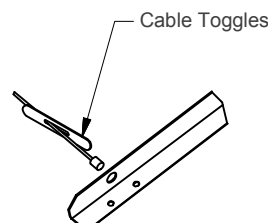
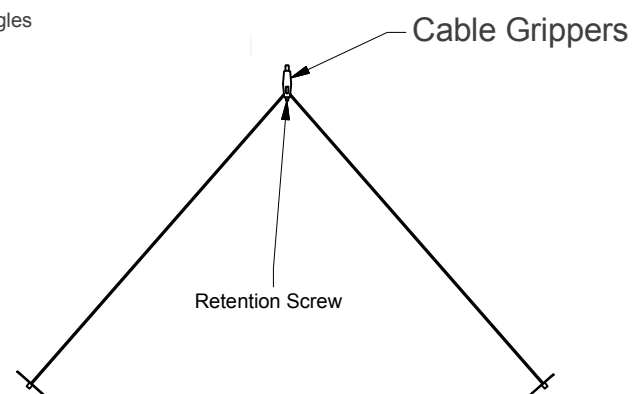


Figure 1.3



6. Lock cable grippers in place midway between hanging clips by inserting the retention screw into the bottom of the gripper and tightening loosely. Luminaire can be leveled once it is in place by sliding cross cables to appropriate balance point. Once luminaire is leveled tighten retention screw to lock grippers in place.

CAUTION: Electrical luminaires are designed for permanent installation in ordinary (Non-Hazardous) locations in accordance with the National Electrical Code and all applicable local codes. Do not use in areas of limited ventilation or in high ambient enclosures. The lamp and luminaire operate at high temperatures, contact with combustible materials can cause fire and personal contact can cause severe burns.

ATTENTION: Ce luminaire a été conçu pour une installation permanente dans un emplacement régulier (non dangereux) et en conformité avec le Code électrique canadien et codes locaux applicables. Ne jamais installer dans un endroit où la ventilation est limitée ou dans des boîtiers où la température ambiante est très élevée. La lampe et le luminaire fonctionnent à des températures élevées, un contact avec des matériaux combustibles peut engendrer un incendie et un contact corporel peut causer de sévères brûlures.

Day-Brite

CFI

by  Signify

443581588890

FLUX PANEL

FLUX PANEL SUSPENSION BRACKET

CAUTION: THE INSTALLATION AND SERVICING OF THIS PRODUCT SHOULD BE PERFORMED BY A QUALIFIED ELECTRICIAN OR SERVICE PERSONNEL

ATTENTION : L'INSTALLATION ET L'ENTRETIEN DE CE PRODUIT DOIVENT ÊTRE EFFECTUÉS PAR UN ÉLECTRICIEN OU UN MEMBRE DU PERSONNEL QUALIFIÉ.

POWER-FEED END OF LUMINAIRE

STEP 1:

Attach bracket and stud to customer supplied junction box.
Attach green ground screw to bracket.

STEP 2:

Support the luminaire approximately 2' below mounting surface.
Once luminaire is supported pass end of power cord through power feed hole in canopy.

STEP 3:

Make wiring connections to cord leads.

STEP 4:

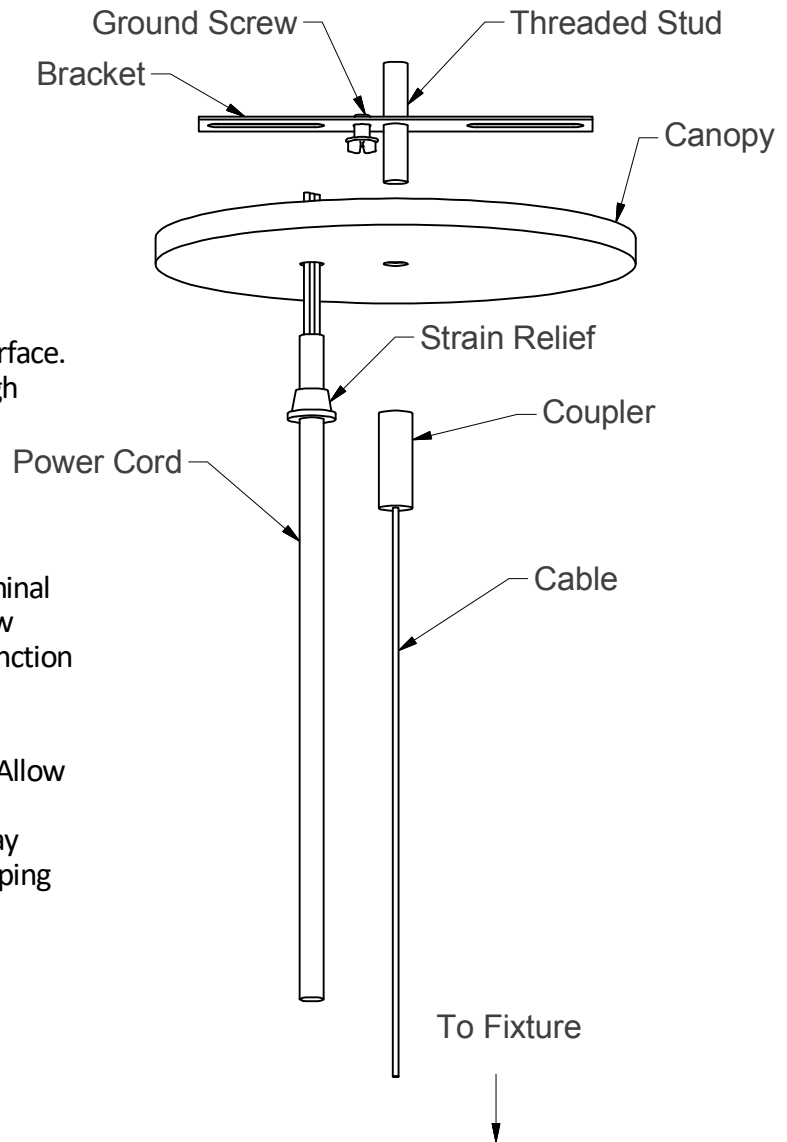
Insert cable into two piece coupler ensuring that cable terminal sits in coupler. Slide power feed canopy over stud and screw coupler to stud. Use outer coupler ring to lock canopy to junction box.

STEP 5:

Attach strain relief to cord and insert into canopy opening. Allow approximately 6" of cord above strain relief.

NOTE: For splice inspection the canopy can be dropped away from junction box by loosening outer coupler ring and dropping canopy away from ceiling.

ATTACHMENT OF CABLES TO CROSS CABLE GRIPPERS



CAUTION: Electrical luminaires are designed for permanent installation in ordinary (Non-Hazardous) locations in accordance with the National Electrical Code and all applicable local codes. Do not use in areas of limited ventilation or in high ambient enclosures. The lamp and luminaire operate at high temperatures, contact with combustible materials can cause fire and personal contact can cause severe burns.

Signify

©2019 Signify Holding. All rights reserved. This document may be subject to change. No representation or warranty as to the accuracy or completeness of the information included herein is given and any liability for any action in reliance thereon is disclaimed. All trademarks are owned by Signify Holding or their respective owners.

Signify North America Corporation
200 Franklin Square Drive,
Somerset, NJ 08873
Telephone 855-486-2216

Signify Canada Ltd.
281 Hillmount Road,
Markham, ON, Canada L6C 2S3
Telephone 800-668-9008