

Day-Brite CFI

by 

Recessed

EvoGrid 2x4

with tunable white technology
3900/4300/4900/5600/6500 lm



Project: _____
 Location: _____
 Cat.No: _____
 Type: _____
 Lamps: _____ Qty: _____
 Notes: _____

Day-Brite / CFI EvoGrid LED recessed utilizes highly reliable and efficient Philips LED platform boards and dimmable driver enabling market leading performance in its category. Its soft opal diffuser with large luminous area minimizes apparent brightness compared to other basket luminaires and provides general lighting perfect for a wide variety of applications. Tunable white light allows color temperature flexibility between 2700K and 6500K CCT.

Ordering guide

Example: 2EVG39L8TW-4-D-UNV-DTW

Width	Family	Ceiling Type	Air Function	Lumens	Color	Length	Center Diffuser	Voltage	Driver	Options
2	EV	G			8TW	4	D	UNV	DTW	
2 2'	EV EvoGrid	G Grid	blank Static	39L 3900 nominal delivered lumens 43L 4300 nominal delivered lumens 49L 4900 nominal delivered lumens 56L 5600 nominal delivered lumens 65L 6500 nominal delivered lumens	8TW 80 CRI, 2700K thru 6500K white light tuning	4 4'	D Diffuse (opal)	UNV Universal Voltage, 120-277 volt	DTW Dual channel tunable white	EMLED Integral emergency, 1100lm nominal, 6500K color circuit only F1/D 3/8" twin flex, 3 wire 18 gauge 6' for dimmable luminaires F2/7W 3/8" single flex, 7 wire 18 gauge 6' for dimmable luminaires GLR Fusing, fast blow DSC Quick driver disconnect

Accessories (order separately)

- **FMA24** – 2'x4' "F" mounting frame for NEMA "F" mounting
- **EVD4L** – EvoGrid 4' replacement lens



2EV EvoGrid recessed LED 2x4

with tunable white technology, 3900/4300/4900/5600/6500 lumens

Application

- A highly efficient, visually comfortable, architecturally styled recessed LED luminaire designed with a minimalistic strategy to achieve sustainable objectives.
- Low profile configuration is only 2-3/4" deep, requiring minimal plenum space.
- Soft opal diffuser with large luminous area minimizes apparent brightness and provides high visual comfort perfect for a wide variety of general lighting applications like offices, schools, retail, or healthcare.
- Multiple lumen packages over a wide range to provide significant application flexibility over light levels and/or luminaire spacing.
- Directs a controlled amount of light to the higher angles in the room to balance the brightness of the surfaces and eliminate "cave effect" while creating the impression of a larger, brighter space without glare.
- Excellent color rendering with a CRI of 80.
- Designed for use with standard Grid (NEMA "G") or Narrow Grid (NEMA "NFG") ceiling T-bars. Drywall or plaster requirements can be accommodated by using an FMA24 "F" mounting frame (sold separately.)
- Continuous row mount option (CRM) includes wireway covers on each end and on one side of housing.

Construction/Finish

- Uncomplicated design is 2-3/4" in depth and only requires a few parts outside of the electrical system and hardware, creating several benefits:
 - Less material required
 - Less packaging required
 - Reduced weight
 - Less energy required for construction and assembly
 - More luminaires can be shipped per truck to reduce fuel use and emissions
- Luminaire finish is matte white polyester for a high quality, durable finish.
- T-bar grid clips are integral to body.

Electrical

- Must order compatible Philips Lighting control system.
- LED board is easily accessible from below without tools. Single LED board is replaceable if needed via plug-in connectors to ensure long service life.
- LED driver is accessible from above.
- Five year limited luminaire warranty includes LED boards and driver (emergency driver and batteries have a three year warranty in models so equipped). Visit www.philips.com/warranties for complete warranty information.
- TM-21 predicted L70 lumen maintenance up to 60,000 hours.
- cETLus listed to UL and CSA standards, suitable for damp locations.

Enclosure

- Opal diffuser provides soft, comfortable lighting while maintaining high efficiency.
- Diffuser requires no frames or fasteners and can be easily removed from below without tools if needed.

General Notes

- All options factory installed.
- All accessories are field installed.
- Many luminaire components, such as reflectors, refractors, lenses, sockets, lampholders, and LEDs are made from various types of plastics which can be adversely affected by airborne contaminants. If sulfur based chemicals, petroleum based products, cleaning solutions, or other contaminants are expected in the intended area of use, consult factory for compatibility.

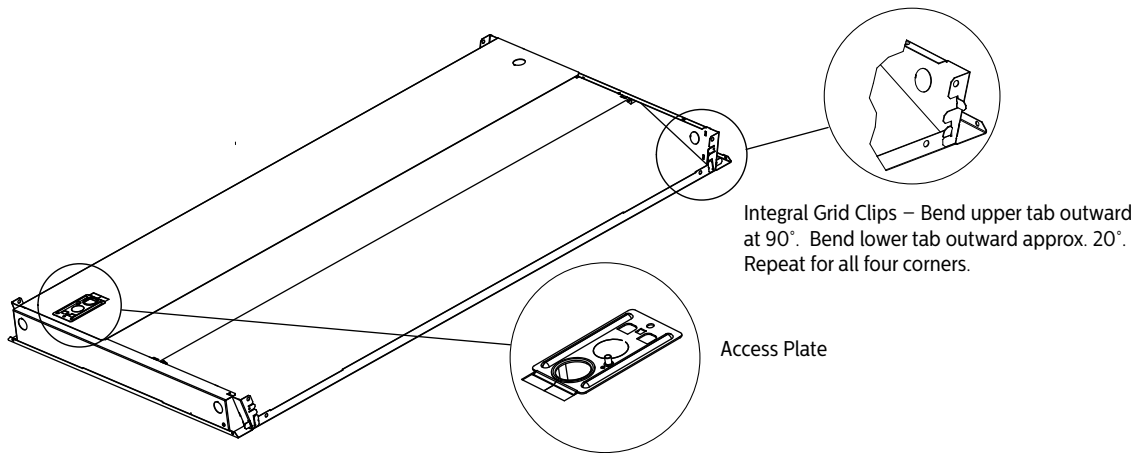
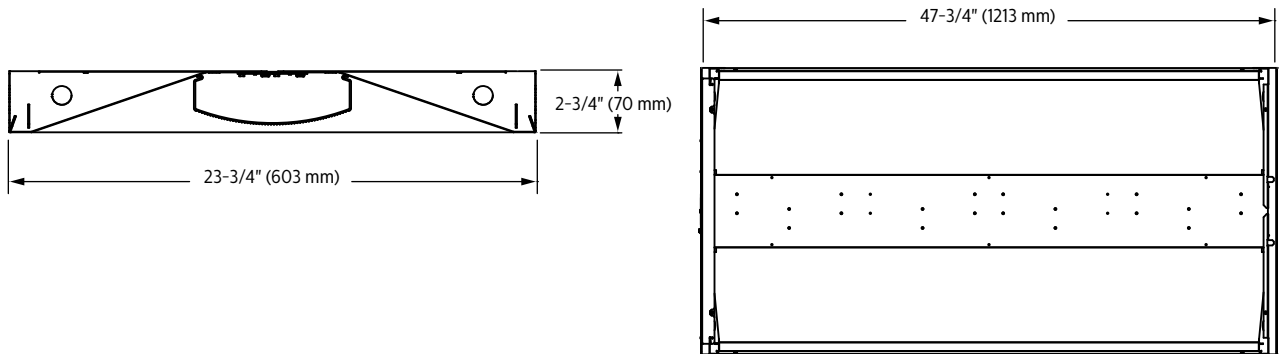
Controls

- Luminaires are not sold individually and are only compatible with load controllers, sensors, user interfaces and front end software from Philips. Philips controls platform allows for more flexibility with customized lighting scenes and behaviors as well as scalability of the tunable white solution into a more extensive lighting network management system. To learn more about the Philips controls solution please visit our tunable white page or <http://www.lighting-products.philips.com/our-brands/philips-controls/dynalite.html>

2EV EvoGrid recessed LED 2x4

with tunable white technology, 3900/4300/4900/5600/6500 lumens

Dimensions



2EV EvoGrid recessed LED 2x4

with tunable white technology, 3900/4300/4900/5600/6500 lumens

Electrical Specifications

Input Voltage	120V				277V			
Nominal CCT	2700K				2700K			
Nominal Lumens	3900	4300	4900	5600	3900	4300	4900	5600
Commissioned State								
Power (W)	41.8	47.0	55.9	65.7	41.5	46.4	55.0	64.3
Current (A)	0.4	0.4	0.5	0.6	0.2	0.2	0.2	0.3
Power Factor	1.0	1.0	1.0	1.0	0.9	0.9	0.9	0.9
THD (%)	14.0	13.0	11.0	10.0	17.0	16.5	16.0	14.5
Off State Power (W)	0.6	0.6	0.6	0.6	0.9	0.9	0.9	0.9
Non-Commissioned State								
Power (W)	78.0	87.0	102.0	116.0	77.0	86.0	101.0	113.0
Current (A)	0.7	0.7	0.9	1.0	0.3	0.3	0.4	0.4

Photometry

2x4 EvoGrid recessed LED with tunable white, 4300 nominal delivered lumens, 2700K CCT

LER – 110

Catalog No.	2EVG43L8TW-4-D-UNV-DTW	Candlepower				Light Distribution			Average Luminance			
		Angle	End	45	Cross	Degrees	Lumens	% Luminaire	Angle	End	45°	Cross
Test No.	36529	0	1602	1602	1602	0-30	1221	27.0	45	6988	7435	7754
S/MH	1.2	5	1576	1594	1600	0-40	1977	43.7	55	6474	7266	7886
Lamp Type	LED	15	1502	1525	1538	0-60	3465	76.5	65	5501	7420	8357
Lumens	4527	25	1361	1392	1412	0-90	4526	100.0	75	4621	7358	8453
Input Watts	39	35	1168	1209	1238	0-180	4527	100.0	85	3074	6753	7255
CCT	2700K	45	948	1009	1052							
		55	712	800	868							
		65	446	602	678							
		75	229	365	420							
		85	51	113	121							
Comparative yearly lighting energy cost per 1000 lumens – \$2.18 based on 3000 hrs. and 5.08 pwr KWH.												
The photometric results were obtained in the Day-Brite laboratory which is NVLAP accredited by the National Institute of Standards and Technology.												
Photometric values based on test performed in compliance with LM-79.												
						Coefficients of Utilization						
						EFFECTIVE FLOOR CAVITY REFLECTANCE 20 PER (pfc=0.20)						
						pcc			80			
						pw			70 50 30			
						RCR			70 50 30			
						0			115 115 115			
						1			108 103 98			
						2			97 90 81			
						3			89 78 69			
						4			81 68 59			
						5			75 61 53			
						6			68 56 46			
						7			64 51 41			
						8			59 46 38			
						9			56 41 34			
						10			52 39 30			

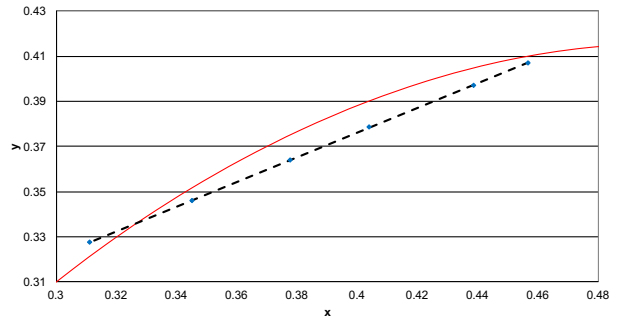
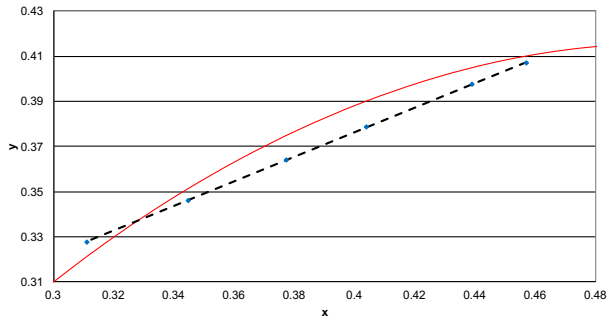
2EV EvoGrid recessed LED 2x4

with tunable white technology, 3900/4300/4900/5600/6500 lumens

Color information

2x4 EvoGrid 3900lm	2700K	3000K	3500K	4000K	5000K	6500K
Flux	3790	3798	3805	3885	3811	3919
Power	41.4	42.9	40.7	40.2	38.2	35.4
Efficacy	91.5	88.6	93.5	96.8	99.8	110.7
CCT	2716	2915	3431	3990	5000	6606
CRI	83	84	87	87	87	84
R9	18	23	33	37	32	16
x	0.4568	0.4387	0.4037	0.3774	0.3446	0.3110
y	0.4071	0.3974	0.3784	0.3641	0.3462	0.3278
Duv	-0.0010	-0.0029	-0.0051	-0.0051	-0.0026	0.0034

2x4 EvoGrid 4300lm	2700K	3000K	3500K	4000K	5000K	6500K
Flux	4247	4257	4259	4346	4254	4349
Power	46.5	47.8	45.2	44.4	42.2	39.4
Efficacy	91.2	89.0	94.3	97.9	100.8	110.3
CCT	2717	2916	3427	3980	4984	6610
CRI	83	84	86	87	87	84
R9	18	23	33	37	34	16
x	0.4567	0.4386	0.4039	0.3777	0.3450	0.3110
y	0.4070	0.3973	0.3784	0.3642	0.3462	0.3275
Duv	-0.0011	-0.0029	-0.0052	-0.0052	-0.0027	0.0033



2x4 EvoGrid 4900lm	2700K	3000K	3500K	4000K	5000K	6500K
Flux	4969	5017	4983	5079	4955	5030
Power	55.0	56.2	52.4	51.3	48.7	45.8
Efficacy	90.3	89.3	95.1	99.1	101.9	109.8
CCT	2719	2932	3424	3972	4971	6625
CRI	83	84	86	87	87	84
R9	18	23	32	37	34	16
x	0.4564	0.4372	0.4040	0.3780	0.3454	0.3108
y	0.4068	0.3965	0.3784	0.3641	0.3461	0.3271
Duv	-0.0011	-0.0031	-0.0052	-0.0053	-0.0029	0.0032

2x4 EvoGrid 5600lm	2700K	3000K	3500K	4000K	5000K	6500K
Flux	5805	5877	5833	5936	5780	5813
Power	65.6	66.2	61.2	59.7	56.2	53.7
Efficacy	88.5	88.8	95.4	99.5	102.9	108.3
CCT	2722	2934	3423	3965	4962	6654
CRI	83	84	86	87	87	84
R9	17	23	32	36	34	16
x	0.4561	0.4370	0.4039	0.3781	0.3456	0.3104
y	0.4066	0.3962	0.3781	0.3639	0.3459	0.3264
Duv	-0.0012	-0.0032	-0.0053	-0.0055	-0.0031	0.0030

