

Day-Brite CFI

by  Signify

Recessed

EvoGrid 2x2

with tunable white technology
3200/3900/4300 lm



Project: _____
 Location: _____
 Cat.No: _____
 Type: _____
 Lamps: _____ Qty: _____
 Notes: _____

Day-Brite / CFI EvoGrid LED recessed utilizes highly reliable and efficient Philips LED platform boards and dimmable driver enabling market leading performance in its category. Its soft opal diffuser with large luminous area minimizes apparent brightness compared to other basket luminaires and provides general lighting perfect for a wide variety of applications. Tunable white light allows color temperature flexibility between 2700K and 6500K CCT.

Ordering guide

Example: 2EVG32L8TW-2-D-UNV-DTW

Width	Family	Ceiling Type	Air Function	Lumens	Color	Length	Center Diffuser	Voltage	Driver	Options
2	EV	G			8TW	2	D	UNV	DTW	
2 2'	EV EvoGrid	G Grid	blank Static	32L 3200 nominal delivered lumens 39L 3900 nominal delivered lumens 43L 3500 nominal delivered lumens	8TW 80 CRI, 2700K thru 6500K white light tuning	2 2'	D Diffuse (opal)	UNV Universal Voltage, 120-277 volt	DTW Dual channel tunable white	EMLED Internal emergency, 1100lm nominal, 6500K color circuit only F1/D 3/8" twin flex, 3 wire 18 gauge 6' for dimmable luminaires F2/7W 3/8" single flex, 7 wire 18 gauge 6' for dimmable luminaires GLR Fusing, fast blow DSC Quick driver disconnect

Accessories (order separately)

- **FMA22** – 2'x2' "F" mounting frame for NEMA "F" mounting
- **EVD2L** – EvoGrid 2' replacement lens



2EV EvoGrid recessed LED 2x2

with tunable white technology, 3200/3900/4300 lm

Application

- A highly efficient, visually comfortable, architecturally styled recessed LED luminaire designed with a minimalistic strategy to achieve sustainable objectives.
- Low profile configuration is only 2-3/4" deep, requiring minimal plenum space
- Soft opal diffuser with large luminous area minimizes apparent brightness and provides high visual comfort perfect for a wide variety of general lighting applications like offices, schools, retail, or healthcare.
- Multiple lumen packages over a wide range to provide significant application flexibility over light levels and/or luminaire spacing.
- Directs a controlled amount of light to the higher angles in the room to balance the brightness of the surfaces and eliminate "cave effect" while creating the impression of a larger, brighter space without glare.
- Excellent color rendering with a CRI of 80.
- Designed for use with standard Grid (NEMA "G") or Narrow Grid (NEMA "NFG") ceiling T-bars. Drywall or plaster requirements can be accommodated by using an FMA24 "F" mounting frame (sold separately.)
- Continuous row mount option (CRM) includes wireway covers on each end and on one side of housing.

Construction/Finish

- Uncomplicated design is 2-3/4" in depth and only requires a few parts outside of the electrical system and hardware, creating several benefits:
 - Less material required
 - Less packaging required
 - Reduced weight
 - Less energy required for construction and assembly
 - More luminaires can be shipped per truck to reduce fuel use and emissions
- Luminaire finish is matte white polyester for a high quality, durable finish.
- T-bar grid clips are integral to body.

Electrical

- Must order compatible Philips Lighting control system.
- LED board is easily accessible from below without tools. Single LED board is replaceable if needed via plug-in connectors to ensure long service life.
- LED driver is accessible from above.
- Five year limited luminaire warranty includes LED boards and driver (emergency driver and batteries have a three year warranty in models so equipped.) Visit www.philips.com/warranties for complete warranty information.
- TM-21 predicted L70 lumen maintenance up to 60,000 hours.
- cETLus listed to UL and CSA standards, suitable for damp locations.

Enclosure

- Opal diffuser provides soft, comfortable lighting while maintaining high efficiency.
- Diffuser requires no frames or fasteners and can be easily removed from below without tools if needed.

General Notes

- All options factory installed.
- All accessories are field installed.
- Many luminaire components, such as reflectors, refractors, lenses, sockets, lampholders, and LEDs are made from various types of plastics which can be adversely affected by airborne contaminants. If sulfur based chemicals, petroleum based products, cleaning solutions, or other contaminants are expected in the intended area of use, consult factory for compatibility.

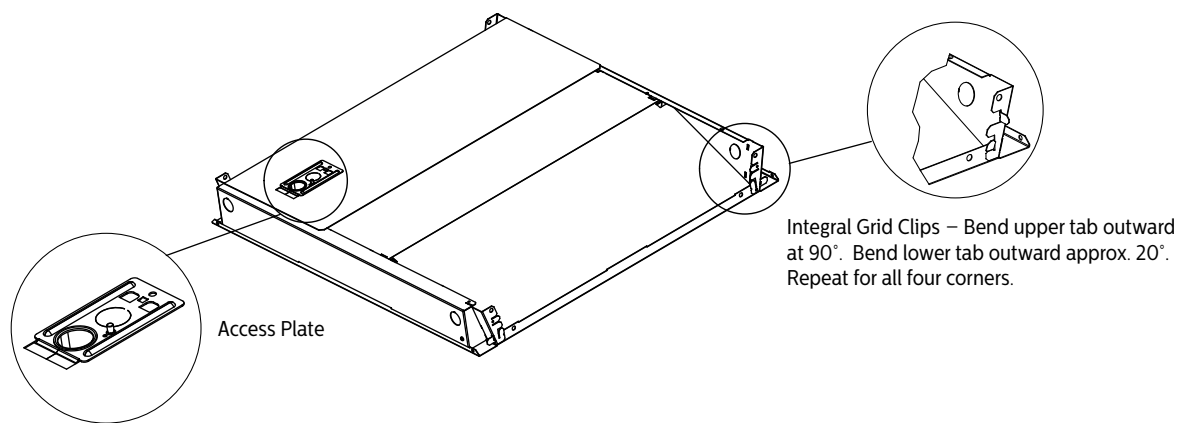
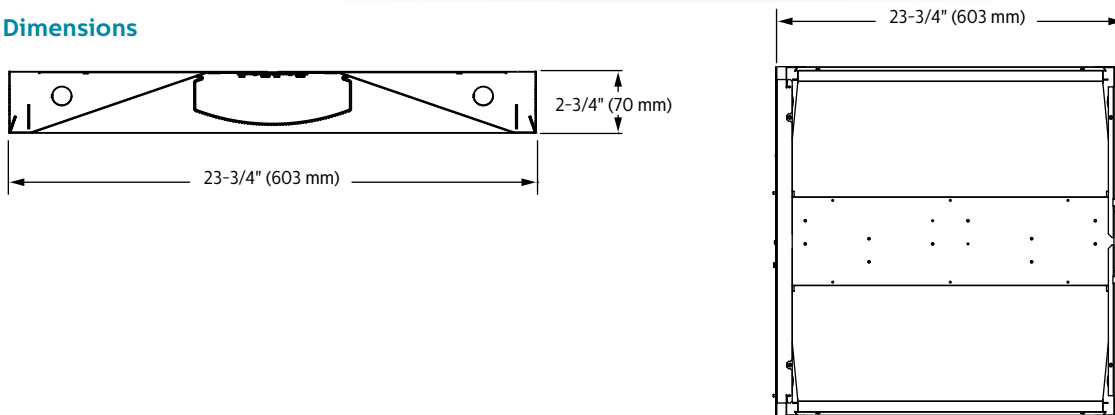
Controls

- Luminaires are not sold individually and are only compatible with load controllers, sensors, user interfaces and front end software from Philips. Philips controls platform allows for more flexibility with customized lighting scenes and behaviors as well as scalability of the tunable white solution into a more extensive lighting network management system. To learn more about the Philips controls solution please visit our tunable white page or <http://www.lighting-products.philips.com/our-brands/philips-controls/dynalite.html>

2EV EvoGrid recessed LED 2x2

with tunable white technology, 3200/3900/4300 lm

Dimensions



2EV EvoGrid recessed LED 2x2

with tunable white technology, 3200/3900/4300 lm

Electrical Specifications

Input Voltage	120V			277V		
Nominal CCT	2700K			2700K		
Nominal Lumens	3200lm	3900lm	4300lm	3200lm	3900lm	4300lm
Commissioned State						
Power (W)	36.5	44.3	50.0	36.3	44.0	49.5
Current (A)	0.31	0.38	0.42	0.16	0.18	0.2
Power Factor	0.98	0.99	0.99	0.85	0.88	0.90
THD (%)	15	14	12	18	17	16
Off State Power (W)	0.6	0.6	0.6	0.9	0.9	0.9
Non-Commissioned State						
Power (W)	67.0	83.0	92.0	66.0	82.0	91.0
Current (A)	0.56	0.70	0.78	0.26	0.32	0.35

Photometry

2x2 EvoGrid recessed LED with tunable white, 3200 nominal delivered lumens, 2700K CCT

LER – 92

Catalog No.	2EVG32L8TW-2-D-UNV-DTW	Candlepower				Light Distribution			Average Luminance					
Test No.	36253	Angle	End	45	Cross	Degrees	Lumens	% Luminaire	Angle	End	45°	Cross		
S/MH	1.2	0	1202	1202	1202	0-30	910	27.6	45	10012	10740	11346		
Lamp Type	LED	5	1188	1197	1200	0-40	1466	44.4	55	9100	10281	11412		
Lumens	3298	15	1128	1141	1151	0-60	2533	76.8	65	8163	10310	12007		
Input Watts	36	25	1012	1034	1051	0-90	3298	100.0	75	7102	10651	12854		
CCT	2700K	35	855	890	917	0-180	3298	100.0	85	5694	9175	10778		
		45	679	728	770									
		55	501	566	628									
		65	331	418	487									
		75	176	264	319									
		85	48	77	90									
Comparative yearly lighting energy cost per 1000 lumens – \$2.61 based on 3000 hrs. and \$.08 pwr KWH.														
The photometric results were obtained in the Day-Brite laboratory which is NVLAP accredited by the National Institute of Standards and Technology.														
Photometric values based on test performed in compliance with LM-79.														
						Coefficients of Utilization								
						EFFECTIVE FLOOR CAVITY REFLECTANCE 20 PER (pfc=0.20)								
						pcc	80			70			50	
						pw	70	50	30	70	50	30	50	30
						RCR								
						0	118	118	118	115	115	115	111	111
						1	108	103	98	105	101	96	96	93
						2	97	90	82	95	88	81	83	79
						3	89	79	69	86	77	68	73	67
						4	81	69	60	80	68	59	66	58
						5	75	61	53	72	60	53	58	51
						6	69	56	46	68	55	46	53	46
						7	65	51	41	63	50	41	48	40
						8	59	46	38	58	46	38	44	36
						9	56	42	34	55	41	34	40	34
						10	53	39	32	51	39	30	38	30

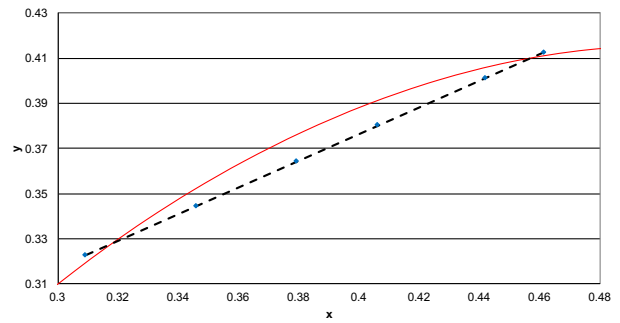
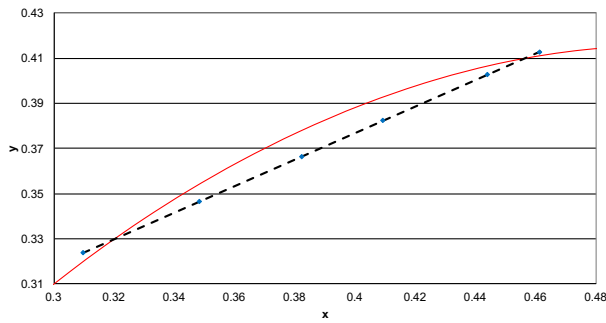
2EV EvoGrid recessed LED 2x2

with tunable white technology, 3200/3900/4300 lm

Color information

2x2 EvoGrid 3200lm	2700K	3000K	3500K	4000K	5000K	6500K
Flux	3348	3340	3310	3345	3227	3183
Power	35.9	37.5	35.2	34.3	32.4	29.2
Efficacy	93.4	89.1	93.9	97.6	99.6	109.1
CCT	2697	2876	3344	3868	4865	6726
CRI	82	84	86	87	88	85
R9	15	20	30	37	38	22
x	0.4613	0.4437	0.4092	0.3823	0.3481	0.3095
y	0.4128	0.4026	0.3824	0.3666	0.3464	0.3238
Duv	0.0007	-0.0014	-0.0045	-0.0054	-0.0039	0.0021

2x2 EvoGrid 3900lm	2700K	3000K	3500K	4000K	5000K	6500K
Flux	4009	4043	4078	4178	4094	4088
Power	43.7	45.1	42.6	42.0	40.2	37.7
Efficacy	91.8	89.7	95.7	99.5	102.0	108.4
CCT	2699	2897	3395	3939	4943	6762
CRI	82	84	86	88	88	85
R9	14	20	31	37	38	23
x	0.4611	0.4418	0.4061	0.3792	0.3459	0.3091
y	0.4126	0.4014	0.3803	0.3644	0.3446	0.3228
Duv	0.0006	-0.0017	-0.0048	-0.0055	-0.0039	0.0019



2x2 EvoGrid 4300lm	2700K	3000K	3500K	4000K	5000K	6500K
Flux	4436	4474	4497	4591	4469	4413
Power	49.1	50.2	47.0	46.0	43.7	41.1
Efficacy	90.3	89.2	95.7	99.8	102.4	107.5
CCT	2700	2895	3382	3916	4913	6776
CRI	82	84	86	87	88	85
R9	14	20	31	37	38	23
x	0.4609	0.4419	0.4068	0.3801	0.3467	0.3089
y	0.4124	0.4013	0.3806	0.3648	0.3449	0.3224
Duv	0.0006	-0.0017	-0.0048	-0.0056	-0.0041	0.0018

