

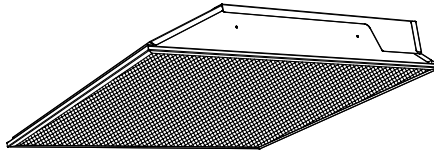
Day-Brite CFI

by  Signify

Recessed

DayLED troffer 2x2

2300, 2700, 3400 or
3800 lumens



Project: _____
 Location: _____
 Cat.No: _____
 Type: _____
 Lamps: _____ Qty: _____
 Notes: _____

The Day-Brite / CFI DayLED troffer offers general lighting distribution excellent for ambient illumination. It features a sealed, maintenance free, low profile housing, along with a frameless design that maximizes its luminous aperture and provides a clean, attractive ceiling appearance.

Ordering guide

Example: 2LTG27L840-2-21-UNV-DIM

Width	Family	Ceiling Type	Lumen Package	Color Temp.	Length	Lens	Voltage	Driver	Options
2	LT	G		—	2	—	—	—	
2 2'	LT DayLED troffer	G Grid	23L 2300 nominal delivered lumens 27L 2700 nominal delivered lumens 34L 3400 nominal delivered lumens 38L 3800 nominal delivered lumens	840 80 CRI, 4000K 835 80 CRI, 3500K	2 2'	21 Pattern 12, .125" nominal 12 K-12, .156" nominal 19 K-19, .156" nominal See sheet 420-SR for other options	UNV Universal Voltage 120-277V 347 347V	DIM 0-10V dimming SDIM Step dimming to 40% input power	F1 3/8" flex, 3 wire 18 gauge 6' F2 3/8" flex, 4 wire 18 gauge 6' F1/D 3/8" twin flex, 3 wire 18 gauge 6' for dimmable luminaires F2/SW 3/8" single flex, 5 wire 18 gauge 6' for dimmable luminaires GLR Fusing, fast blow DSC Quick driver disconnect

Accessories (order separately)

- **FMA22** 2x2" "F" mounting frame for NEMA "F" mounting



2LT DayLED troffer 2x2

2300, 2700, 3400 or 3800 lumens

Application

- High efficacy long life solid state lighting platform.
- General lighting distribution is excellent for ambient lighting.
- Lumen packages range from 2,300 to 3,800 lumens, providing flexibility to optimize light levels for a specific application.
- High CRI source provides excellent color rendering.
- LEDs are an excellent source for use with controls since frequent switching does not affect the life of the light source.
- Lighting power densities of 0.75 Watts/square foot or less are possible while maintaining recommended light levels.

Construction/Finish

- Lower housing includes smooth edges for safe, easy handling.

- Housing is multi-stage phosphate treated for maximum corrosion resistance and finish coat is high reflectance baked white enamel.
- Sealed housing prevents the entry of dirt and bugs into the luminaire which eliminates the need for internal cleaning and reduces maintenance.
- T-bar clips are included.
- Suitable for use in clean room application.

Electrical

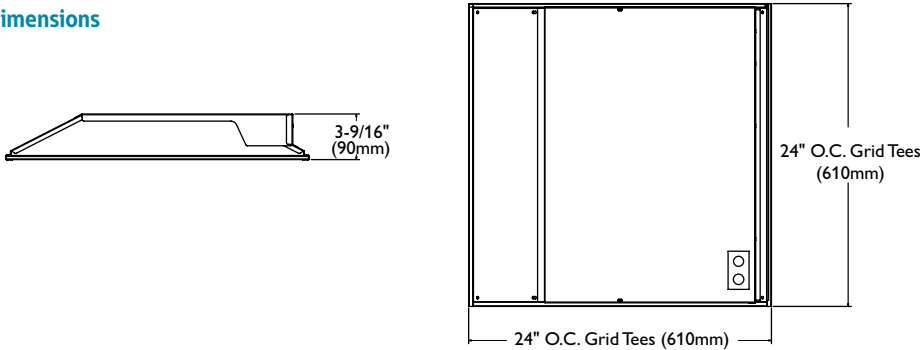
- Driver and LED boards are accessible from above. LED boards are individually replaceable if required.
- ETL listed to UL standards, suitable for damp locations.
- Five-year luminaire warranty including LED boards and driver.

- High efficiency LEDs have 50,000 hour rated life (defined as 70% lumen maintenance.)
- Combinations are available providing up to 93 delivered lumens per Watt.
- Rated for clean room use – meets ISO14644-1 Class 5 (equivalent to Federal Standard No. 209E Class 100).
- Listed for used in insulated ceilings (Type IC).

Enclosure

- Standard sealed configuration does not include a door frame since cleaning and relamping are not required.
- Frameless design maximizes luminous aperture and provides a clean appearance.
- A variety of lenses are available to tailor the luminaire to the application.
- Contact factory for applications requiring a door frame.

Dimensions



Energy Data

Model	Initial Delivered Lumens at 25°C Ambient	Input Power	Lumens Per Watt
2LTG23L840-2-21	2253	26W	87LPW
2LTG27L840-2-21	2665	30W	89LPW
2LTG34L840-2-21	3367	40W	84LPW
2LTG38L840-2-21	3795	46W	82LPW

Fluorescent Configuration	Approx. Total Delivered Lumens	DayLED Equivalent*
2 lamp T8 3IU6	3,500	2LTG34L840
2 lamp T8 3IU1	3,900	2LTG38L840
3 lamp T8 3IU1	5,500	n/a max. lumens would be 2LTG38L840
2 lamp T12 4OU6	2,800	2LTG27L840
3 lamp T12 4OU3	3,800	2LTG38L840

Fluorescent Configuration	Approx. Total Delivered Lumens	DayLED Equivalent
2 lamp T8 17W	2,000	2LTG23L840
3 lamp T8 17W	2,850	2LTG27L840
4 lamp T8 17W	3,650	2LTG34L840
2 lamp CF40	4,800	n/a, max. lumens would be 2LTG38L840
3 lamp CF40	6,900	n/a, max. lumens would be 2LTG38L840

*DayLED equivalent will provide similar delivered lumens and light levels. Analysis to determine appropriate light levels for the space is highly recommended.

2LT DayLED troffer 2x2

2300, 2700, 3400 or 3800 lumens

DayLED troffer 2x2, 2300 nominal delivered lumens, standard lens

LER – 87

Catalog No. 2LTG23L840-2-21 Test No. 29485 S/MH 1.2 Lamp Type 25WLED Lumens/Lamp 2253 Input Watts 26 Comparative yearly lighting energy cost per 1000 lumens – \$2.76 based on 3000 hrs. and \$.08 pwr KWH. The photometric results were obtained in the Day-Brite laboratory which is NVLAP accredited by the National Institute of Standards and Technology. Photometric values based on test performed in compliance with LM-79.	Candlepower				Light Distribution			Average Luminance									
	Angle	End	45	Cross	Degrees	Lumens	% Luminaire	Angle	End	45°	Cross						
	0	993	993	993	0-30	755	33.5	45	1806	1730	1901						
	5	988	985	989	0-40	1208	53.6	55	1357	1270	1393						
	10	972	967	976	0-60	1929	85.6	65	949	766	939						
	15	945	944	953	0-90	2253	100.0	75	688	526	815						
	20	905	908	918				85	445	286	547						
	25	856	856	870	Coefficients of Utilization												
	30	792	794	814	EFFECTIVE FLOOR CAVITY REFLECTANCE 20 PER (pfc=0.20)												
	35	719	723	744	pcc	80			70			50					
	40	633	635	657	pw	70	50	30	70	50	30	50	30				
	45	534	535	562	RCR												
	50	434	439	457	0	118	118	118	115	115	115	111	111				
	55	341	339	350	1	110	105	102	107	103	100	98	95				
	60	259	242	257	2	101	93	86	97	91	85	88	82				
	65	189	166	187	3	93	82	76	90	81	75	79	72				
	70	136	111	144	4	84	73	66	82	72	65	70	64				
75	97	84	115	5	79	67	58	77	66	57	64	56					
80	68	62	86	6	72	60	52	70	59	52	57	51					
85	35	28	43	7	68	55	46	67	55	46	53	46					
				8	64	51	42	61	50	41	48	41					
				9	59	46	39	57	46	39	45	38					
				10	56	42	35	55	42	35	41	34					

DayLED troffer 2x2, 2700 nominal delivered lumens, standard lens

LER – 89

Catalog No. 2LTG27L840-2-21 Test No. 29479 S/MH 1.2 Lamp Type 30WLED Lumens/Lamp 2665 Input Watts 30 Comparative yearly lighting energy cost per 1000 lumens – \$2.70 based on 3000 hrs. and \$.08 pwr KWH. The photometric results were obtained in the Day-Brite laboratory which is NVLAP accredited by the National Institute of Standards and Technology. Photometric values based on test performed in compliance with LM-79.	Candlepower				Light Distribution			Average Luminance									
	Angle	End	45	Cross	Degrees	Lumens	% Luminaire	Angle	End	45°	Cross						
	0	1170	1170	1170	0-30	829	33.5	45	2111	2054	2250						
	5	1166	1164	1167	0-40	1426	53.5	55	1568	1521	1704						
	10	1145	1144	1152	0-60	2283	85.7	65	1110	933	1145						
	15	1111	1115	1125	0-90	2665	100.0	75	943	558	844						
	20	1065	1071	1088				85	623	409	508						
	25	998	1013	1037	Coefficients of Utilization												
	30	927	939	967	EFFECTIVE FLOOR CAVITY REFLECTANCE 20 PER (pfc=0.20)												
	35	841	851	887	pcc	80			70			50					
	40	735	744	784	pw	70	50	30	70	50	30	50	30				
	45	624	635	665	RCR												
	50	510	523	550	0	118	118	118	115	115	115	111	111				
	55	394	406	428	1	110	105	102	107	103	100	98	95				
	60	296	299	316	2	101	93	86	97	91	85	88	82				
	65	221	202	228	3	93	82	76	90	81	75	79	72				
	70	169	133	163	4	84	73	66	82	72	65	70	64				
75	133	89	119	5	79	67	58	77	66	57	64	56					
80	97	66	80	6	72	60	52	70	59	52	57	51					
85	49	40	40	7	68	55	46	67	55	46	53	46					
				8	64	51	42	61	50	41	48	41					
				9	59	46	39	57	46	39	45	38					
				10	56	42	35	55	42	35	41	34					

2LT DayLED troffer 2x2

2300, 2700, 3400 or 3800 lumens

DayLED troffer 2x2, 3400 nominal delivered lumens, standard lens

LER – 84

Catalog No. 2LTG34L840-2-21 Test No. 29481 S/MH 1.2 Lamp Type 38WLED Lumens/Lamp 3367 Input Watts 40 Comparative yearly lighting energy cost per 1000 lumens – \$2.86 based on 3000 hrs. and \$.08 pwr KWH. The photometric results were obtained in the Day-Brite laboratory which is NVLAP accredited by the National Institute of Standards and Technology. Photometric values based on test performed in compliance with LM-79.	Candlepower				Light Distribution			Average Luminance			
	Angle 0 5 10 15 20 25 30 35 40 45 50 55 60 65 70 75 80 85	End 1484 1475 1450 1412 1349 1277 1183 1074 938 793 656 521 392 284 204 142 98 51	45 1484 1474 1448 1428 1377 1282 1188 1116 987 840 684 516 379 283 217 172 127 66	Cross 1484 1482 1463 1428 1377 1301 1215 1116 987 840 684 516 379 283 217 172 127 66	Degrees 0-30 0-40 0-60 0-90	Lumens 1130 1805 2887 3368	% Luminaire 33.5 53.6 85.7 100.0	Angle 45 55 65 75 85	End 2683 2074 1426 1007 648	45° 2597 1899 1164 702 511	Cross 2842 2054 1421 1219 839

Coefficients of Utilization

EFFECTIVE FLOOR CAVITY REFLECTANCE 20 PER (pfc=0.20)

pcc	80			70			50		
pw	70	50	30	70	50	30	50	30	
RCR									
0	118	118	118	115	115	115	111	111	
1	110	105	102	107	103	100	98	95	
2	101	93	86	97	92	85	88	82	
3	93	82	76	90	81	75	79	72	
4	85	73	66	82	72	66	70	64	
5	79	67	58	77	66	57	64	56	
6	72	60	52	71	59	52	57	51	
7	68	55	46	67	55	46	53	46	
8	64	51	42	61	50	41	48	41	
9	59	46	39	57	46	39	45	38	
10	56	42	35	55	42	35	41	34	

DayLED troffer 2x2, 3800 nominal delivered lumens, standard lens

LER – 82

Catalog No. 2LTG38L840-2-21 Test No. 29483 S/MH 1.2 Lamp Type 45WLED Lumens/Lamp 3795 Input Watts 46 Comparative yearly lighting energy cost per 1000 lumens – \$2.89 based on 3000 hrs. and \$.08 pwr KWH. The photometric results were obtained in the Day-Brite laboratory which is NVLAP accredited by the National Institute of Standards and Technology. Photometric values based on test performed in compliance with LM-79.	Candlepower				Light Distribution			Average Luminance			
	Angle 0 5 10 15 20 25 30 35 40 45 50 55 60 65 70 75 80 85	End 1664 1660 1632 1584 1513 1426 1316 1198 1053 886 718 566 422 312 242 187 136 72	45 1664 1657 1636 1596 1545 1471 1375 1261 1116 947 785 603 454 329 233 168 115 64	Cross 1664 1657 1636 1596 1545 1471 1375 1261 1116 947 785 603 454 329 233 168 115 64	Degrees 0-30 0-40 0-60 0-90	Lumens 1267 2026 3247 3796	% Luminaire 33.4 53.4 85.5 100.0	Angle 45 55 65 75 85	End 2997 2253 1567 1326 915	45° 2917 2180 1353 833 603	Cross 3203 2400 1652 1191 814

Coefficients of Utilization

EFFECTIVE FLOOR CAVITY REFLECTANCE 20 PER (pfc=0.20)

pcc	80			70			50		
pw	70	50	30	70	50	30	50	30	
RCR									
0	118	118	118	115	115	115	111	111	
1	110	105	102	107	103	100	98	95	
2	101	93	86	97	91	85	88	82	
3	93	82	75	90	81	73	79	72	
4	84	73	66	82	72	65	70	64	
5	79	67	58	77	66	57	64	56	
6	72	60	52	70	59	52	57	51	
7	68	55	46	66	55	46	53	46	
8	64	51	42	61	50	41	48	41	
9	59	46	39	57	46	39	45	38	
10	56	42	35	55	42	34	41	34	

