

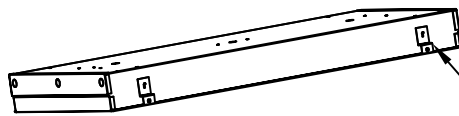
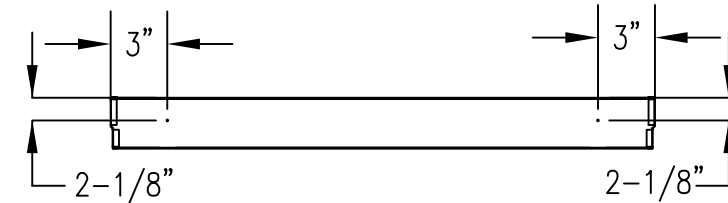
INSTALLATION INSTRUCTIONS CRG SERIES

CAUTION: THE INSTALLATION AND SERVICING OF THIS PRODUCT SHOULD BE PERFORMED BY A QUALIFIED ELECTRICIAN OR SERVICE PERSONNEL
ATTENTION : L'INSTALLATION ET L'ENTRETIEN DE CE PRODUIT DOIVENT ÊTRE EFFECTUÉS PAR UN ÉLECTRICIEN OU UN MEMBRE DU PERSONNEL QUALIFIÉ.

INSTALLATION INSTRUCTIONS

- READ ALL INSTRUCTION SHEETS AND ALL FIXTURE LABELS TO UNDERSTAND CORRECT INSTALLATION REQUIREMENTS
- FIXTURE IS DESIGNED FOR USE WITH 1 INCH T-BAR GRID SYSTEMS WITH A VERTICAL GRID THICKNESS OF LESS THAN 1/4" AND A MAXIMUM HEIGHT OF 2 INCHES.
- DISCONNECT POWER TO MAIN CIRCUITS BEFORE WIRING FIXTURE.
- REMOVE DOOR TO ACCESS THE INSIDE OF THE FIXTURE.
- SEE FIGURE 1 FOR SEALING FIXTURE TO GRID "T" BAR.
- IF T-GRID MOUNTING BRACKETS ARE USED FOR INSTALLATION, SEE FIGURE 2 FOR MOUNTING THE T-GRID BRACKETS TO THE HOUSING.
- IF T-GRID MOUNTING BRACKETS ARE NOT USED FOR MOUNTING, COVER HOLES (IF PROVIDED) IN HOUSING WITH FACTORY SUPPLIED SCREWS OR SILICONE.
- CENTER FIXTURE IN CEILING GRID AND SECURE TO APPROPRIATE CEILING STRUCTURE USING INCLUDED T-GRID MOUNTING BRACKETS (IF APPLICABLE) AND CABLES (SUPPLIED BY OTHERS).
- CONNECT FIXTURE LEADS TO POWER SUPPLY USING CONNECTORS (NOT SUPPLIED).
- CLOSE DOOR TO HOUSING (SEE FIGURE 3) AND SECURE WITH FACTORY SUPPLIED CLOSING SCREWS.

FIGURE 2 IF T-GRID MOUNTING BRACKET HOLES ARE NOT PROVIDED, DRILL $\frac{1}{8}$ " HOLE AS SHOWN TEMPLATE SUPPLIED UPON REQUEST



ATTACHED T-GRID BRACKETS TO HOUSING WITH FACTORY SUPPLIED SCREWS.

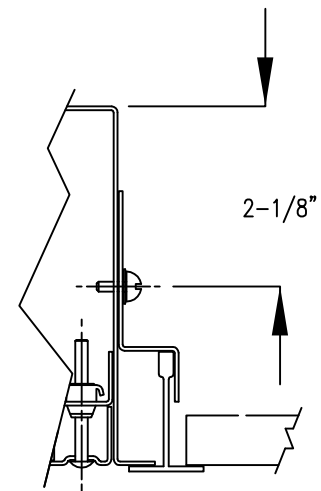


FIGURE 3

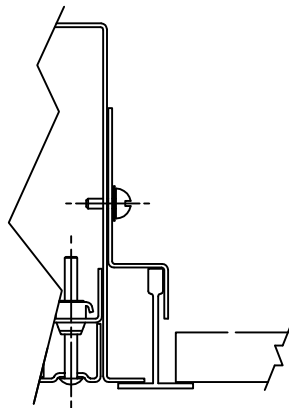
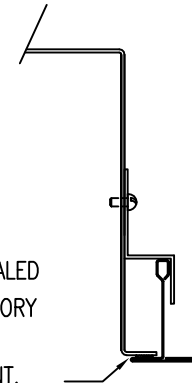


FIGURE 1



FIXTURE SHOULD BE SEALED TO GRID "T" WITH FACTORY SUPPLIED GASKET OR CLEAR SILICONE SEALANT.

CAUTION: Electrical luminaires are designed for permanent installation in ordinary (Non-Hazardous) locations in accordance with the National Electrical Code and all applicable local codes. Do not use in areas of limited ventilation or in high ambient enclosures. The lamp and luminaire operate at high temperatures, contact with combustible materials can cause fire and personal contact can cause severe burns.

ATTENTION: Ce luminaire a été conçu pour une installation permanente dans un emplacement régulier (non dangereux) et en conformité avec le Code électrique canadien et codes locaux applicables. Ne jamais installer dans un endroit où la ventilation est limitée ou dans des boîtiers où la température ambiante est très élevée. La lampe et le luminaire fonctionnent à des températures élevées, un contact avec des matériaux combustibles peut engendrer un incendie et un contact corporel peut causer de sévères brûlures.

PHILIPS

Philips Lighting North
America Corporation
200 Franklin Square Drive
Somerset, NJ 08873, USA
Phone: 855-486-2216
philips.com/luminaires

Philips Lighting Canada Ltd.
281 Hillmount Road
Markham ON, Canada L6C 2S3
Phone: 800-668-9008
philips.com/luminaires

727856102 APRIL, 2013
12NC:443580019090