

SUBJECT:

PARAPLUS (PP), COFFAIRE (CF),
MINI-BEAM (MB), HP90 (H9)

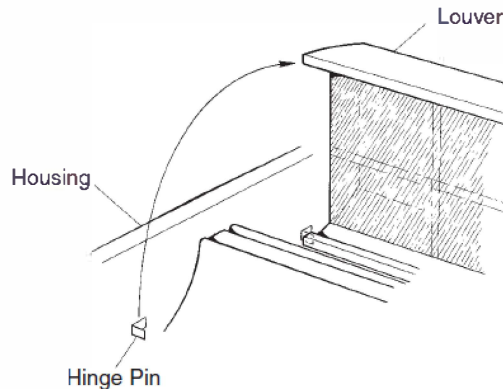
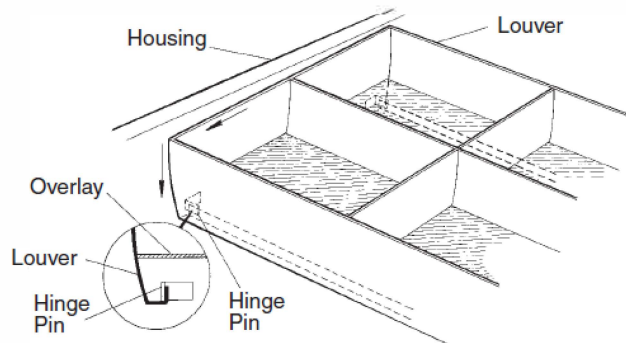
INSTRUCTION
SHEET

Day-Brite
CFI

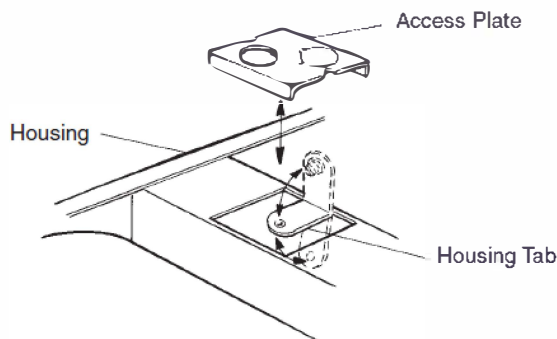
CAUTION: THE INSTALLATION AND SERVICING OF THIS PRODUCT SHOULD BE PERFORMED BY A QUALIFIED ELECTRICIAN OR SERVICE PERSONNEL

- 1 **IMPORTANT:** For Paraplus remove the Louver before installing fixture into ceiling system (by others). To remove the Louver, depress one side of the Louver to clear the Hinge Pin and

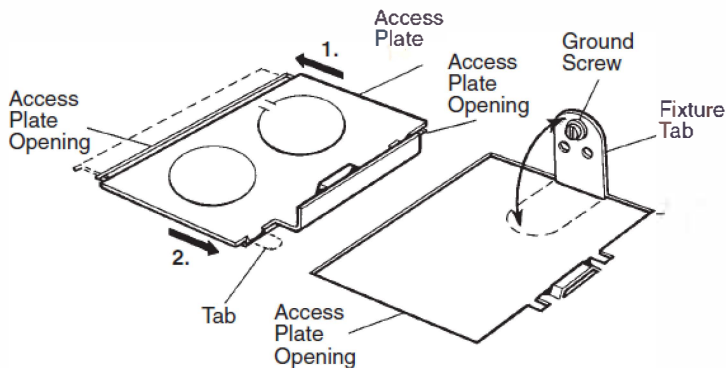
pull the Louver towards you. Rotate the Louver upwards and remove from the Hinge Pins on the opposite side of the Housing.



- 2 **Access Plate for CF/PP**
Remove Access Plate (snaps in and out of position). Bend Housing Tab up to attach ground screw to green screw on the Housing Tab. Then bend Housing Tab down into the Housing as shown. Install Access Plate.



- 3 **Access Plate for Mini-Beam (MB).**
Remove Access Plate by sliding Access Plate in the direction of Arrow 1. To remove, lift up and slide in the direction of Arrow 2. Bend Housing Tab up out of Housing and make ground and ballast connections. Bend Housing Tab back to original position. Replace the Access Plate by reversing removal procedure.



Signify Corporation North America
200 Franklin Square Drive
Somerset, NJ 08873 Phone:
855-486-2216
www.day-brite.com

Signify Canada Ltd./Signify Canada Ltée.
281 Hillmount Road Markham
ON, Canada L6C 2S3 Phone:
800-668-9008
www.cfi-lighting.com

12NC: 442100256420
728252001 05/10/2018
(ENGLISH)

SUBJECT:

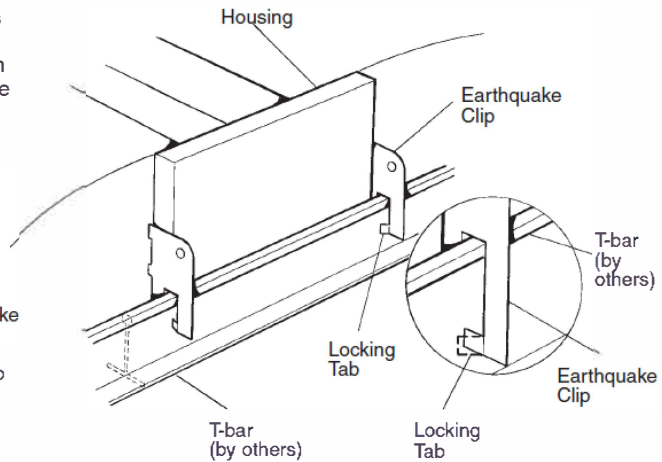
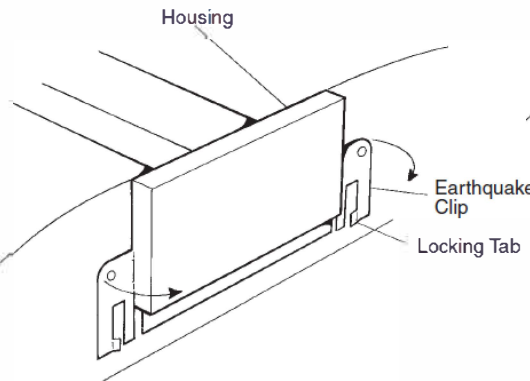
PARAPLUS (PP), COFFAIRE (CF),
MINI-BEAM (MB), HP90 (H9)

INSTRUCTION SHEET

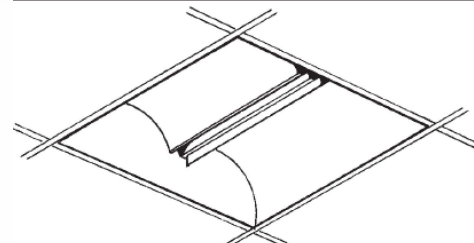
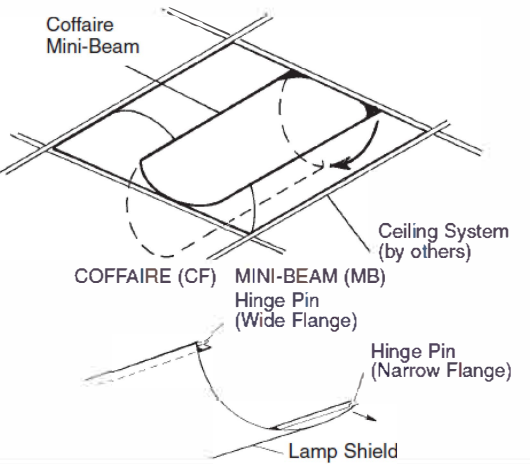
Day-Brite CFI

CAUTION: THE INSTALLATION AND SERVICING OF THIS PRODUCT SHOULD BE PERFORMED BY A QUALIFIED ELECTRICIAN OR SERVICE PERSONNEL

- ④ To install fixture into the ceiling system (by others), bend Earthquake Clips out 90 degrees from Housing End. Install fixture into ceiling system. Secure the fixture to the ceiling system by bending the Locking Tabs on the Earthquake Clips towards the T-bar.

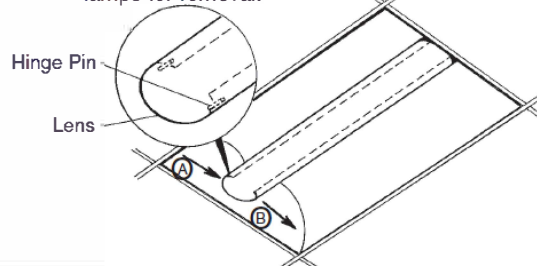


- ⑤ Install fixture into Ceiling System (by others). For Coffaire (CF) and Mini-Beam (MB), open Lamp Shield by gripping Narrow Flange of Lamp Shield and pull Lamp Shield towards you, letting the opposite side of the Lamp Shield rest on the Hinge Pins (Wide Flange).



HP90 Lens Removal

Push Lens to one side (A), and pull Lens off Hinge Pins (B) and downward. Unlink Lens from all Hinge Pins (both ends of fixture) clearing the lamps for removal.



- ⑥ For Mini-Beam Ballast Access Cover Compartment. Ballast is accessed by removing the ceiling tile adjacent to the Mini-Beam. Remove Screw at end of Ballast Access Cover and slide Ballast Access Cover towards Housing End. Lift Ballast Access Cover for easy access to Ballast. To replace Ballast Access Cover reverse the procedure.

