



**Lightolier 3D Printed Cylinder Pendants, PD Series** allows for thousands of different combinations, tailored to seamlessly match any indoor environment. Create dynamic new decorative styles for your projects by selecting from a variety of polycarbonate materials, visually rich surface textures, unique and creative shapes. Unleash your inner creator and select from the many options these cylinder pendants have to offer.

Project: \_\_\_\_\_  
 Location: \_\_\_\_\_  
 Cat.No: \_\_\_\_\_  
 Type: \_\_\_\_\_  
 Qty: \_\_\_\_\_  
 Notes: \_\_\_\_\_

### Fixture

example: 3DP CY WHST LC S DI WH BK E26 PAR38

Series	Colors	Textures	Mounting options				Socket	Bulb
			Method	Style	Colors	Cable colors		
<b>3DPCY</b>								
3DP CY PD Series	<b>Satin colors</b> WHST White (9003) SIST Silver BKST Black (9004)	LC Layered Coarse WO Woven Oval	S Surface	CO Conical canopy DI Disk canopy	WH White mount BK Black mount SI Silver mount	WH White BK Black	E26 E26 GU24 GU24	N No Bulb PAR38 PAR38 LED
			T Track	L Lightolier	WH White BK Black		<b>Note:</b> For GU24 selection, order bulb separately.	

**Note:** Different colors, textures and custom logo options are available upon request.

### Features

- 1. Customizable:** choose from a wide variety of colors, textures, shapes and styles. Over 170K options!
- 2. Sustainable:** 3D Printed products produce less carbon emissions when compared to traditional, conventional luminaires.
- 3. Local production:** Printed & assembled in Littlestown, PA.
- 4. Quick delivery:** Created on demand and shipped in weeks.

### Electrical

- 1. Dimming:** All configurations are dependent on LED Lamps.
- 2. Maximum Wattage:** 15W
- 3. Track Mount:** Standard Lightolier track adapter option. Cable length and adapter wiring to be adjusted and wired at the time of install.
- 4. Photometrics:** Dependant on type of lamp used. Check lamp's spec sheet for details. For additional lamp photometric files, please view the 3D Printed Tailored Lighting configurator website (linked below).

### Labels

cULus Listed, 5 year warranty, IP20 & RoHS

### Buy American Act of 1933 (BAA)

This product is manufactured in one of our US factories and, as of the date of this document, this product was considered a commercially available off-the-shelf (COTS) item meeting the requirements of the BAA. This BAA designation hereunder does not address (i) the applicability of, or availability of a waiver under, the Trade Agreements Act, or (ii) the "Buy America" domestic content requirements imposed on states, localities, and other non-federal entities as a condition of receiving funds administered by the Department of Transportation or other federal agencies. Prior to ordering, please visit [www.signify.com/baa](http://www.signify.com/baa) to view a current list of BAA-compliant products to confirm this product's current compliance.



Unleash your inner creator

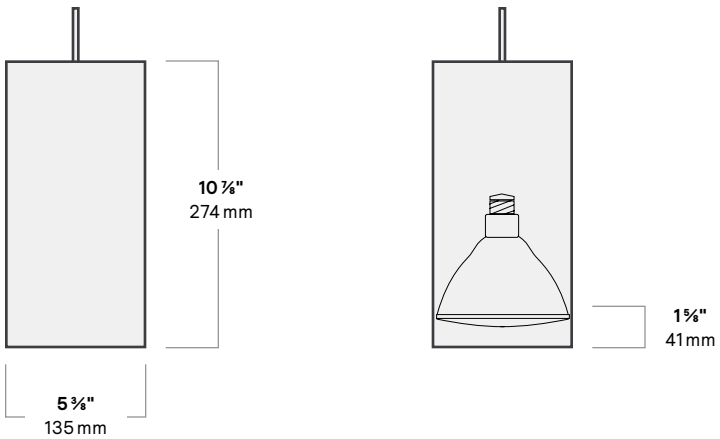
To configure your custom 3D printed luminaire, scan this QR Code with your smartphone's camera or visit us at: <https://www.3dprinted.lighting.lightolier.com/en/us/PD-Series/>



# PD Series

## 3D Cylinder Pendants

### Dimensions



### Colors & Textures



© 2022 Signify Holding. All rights reserved. The information provided herein is subject to change, without notice. Signify does not give any representation or warranty as to the accuracy or completeness of the information included herein and shall not be liable for any action in reliance thereon. The information presented in this document is not intended as any commercial offer and does not form part of any quotation or contract, unless otherwise agreed by Signify.

Signify North America Corporation  
400 Crossing Blvd, Suite 600  
Bridgewater, NJ 08807  
Telephone: 855-486-2216

Signify Canada Ltd.  
281 Hillmount Road,  
Markham, ON, Canada L6C 2S3  
Telephone: 800-668-9008

All trademarks are owned by Signify Holding or their respective owners.