

HADCO

by  Signify

CXF

CXF14 & CXF15

TOP MOUNT FIXTURES

IMPORTANT: FOR YOUR PROTECTION, YOU MUST CAREFULLY READ ALL WARNINGS AND INSTRUCTIONS IN THEIR ENTIRETY PRIOR TO INSTALLATION, OPERATION, SERVICE OR MAINTENANCE. FAILURE TO DO SO CAN RESULT IN DEATH, PERSONAL INJURY AND PROPERTY DAMAGE. If you do not understand these warnings and instructions, or if additional information is desired, please contact Signify, Lumec. TSC@signify.com phone 1-833-744-6439.



- Installation, service and maintenance of luminaires must be performed by a qualified professional and in accordance with all federal, state and local laws, regulations and electrical codes. This professional should be familiar with the construction and operation of this product and any hazards involved. If not qualified, do not attempt installation, service or maintenance.
- To reduce the risk of death, personal injury or property damage from fire, electric shock, falling parts, cuts, abrasions and other hazards, please read all warnings and instructions included with the luminaire, on the luminaire's packaging and affixed to the luminaire itself.
- Maintenance of the luminaires should be performed by person(s) familiar with the luminaire's construction and operation and any hazards involved.



WARNING

RISK OF FIRE, ELECTRIC SHOCK OR PERSONAL INJURY

- Disconnect or turn off power before attempting any installation, service or maintenance.
- Verify that supply voltage is correct by referencing the luminaire label information.
- Make all electrical and ground connections in accordance with the National Electrical Code (NEC) and any other applicable laws, regulations or codes.
- All wiring connections should be capped with UL-approved wire connectors.



WARNING

RISK OF FIRE OR PERSONAL INJURY

- Keep combustible materials away from LED/lamp & lens
- Do not operate in close proximity to persons, combustible materials or substances affected by heat or drying.



WARNING

RISK OF FIRE, ELECTRIC SHOCK OR PERSONAL INJURY

- Wear gloves and safety glasses at all times when removing luminaire from carton, installing, servicing or performing maintenance.
- Avoid direct eye exposure to the light source while it is on.



WARNING

RISK OF FIRE, ELECTRIC SHOCK OR PERSONAL INJURY

- Allow Led/lamp & lens to cool before handling.
- Do not touch enclosure or light source
- Do not exceed maximum wattage marked on luminaire label.
- Follow all manufacturer's warnings, recommendations, instructions and restrictions for driver type, burning position, mounting locations and replacement.



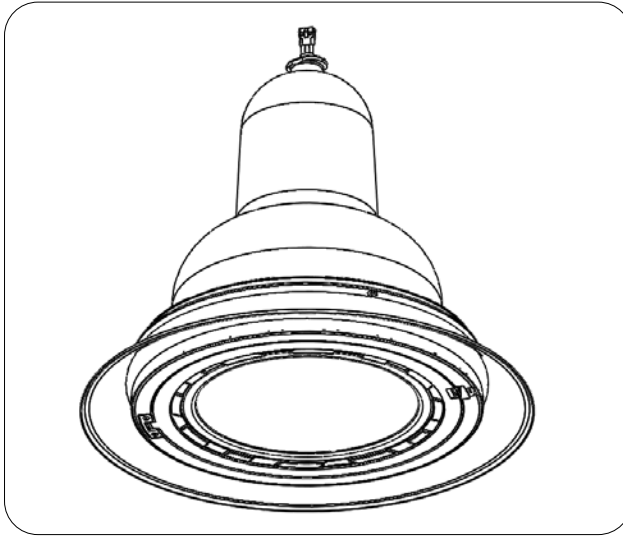
CAUTION

RISK OF PRODUCT DAMAGE

- Never connect luminaires and/or components under load with supply voltage turned on.
 - Do not mount or support these luminaires in a manner that can cut the outer jacket or damage wire insulation.
 - Do not restrict fixture ventilation. Allow for some volume of airspace around luminaire. Avoid covering luminaire with insulation, foam or other material that will prevent convection or conduction cooling.
 - Do not exceed luminaire maximum ambient temperature.
 - Do not modify the luminaire.
 - Only use luminaire in its intended application and location.
 - Led products are polarity sensitive. Ensure proper polarity before installation.
 - Electrostatic Discharge (ESD) can damage LED. Personal grounding equipment must be worn during all installation and servicing of the luminaire.
 - Do not touch individual electrical components as this can cause ESD, shorten LED life, or impact LED performance.
 - Some components inside the luminaire may not be serviceable. In the unlikely event your luminaire may require service, stop using it immediately and contact Signify.
 - Always read the luminaires complete installation instructions prior to installation for any additional luminaire specific warnings.
 - In the case of HID or Fluorescent luminaires, regular re-lamping is required to keep luminaire operating within safe limits
 - **Do not install damaged product.** Handling and installing damaged products can potentially increase the risks mentioned In case of damage and/or missing parts upon arrival of the luminaire.
 - These instructions do not purport to cover all details or variations in equipment nor to provide every possible contingency to meet in connection with installation, operation or maintenance.
 - Please see luminaire specific Installation and Maintenance Instruction for additional warnings or any applicable FCC or regulatory statements. Failure to follow any of these Instructions could void luminaires warranties.
- Luminaire Maintenance**
- Regular luminaire maintenance programs are recommended.
 - It is recommended to clean the outside of the luminaire and the refractor/lens.
 - Frequency of cleaning will depend on ambient dirt level and minimum light output which is acceptable to user.
 - If clean water is not sufficient for cleaning, use a neutral, synthetic, not-scratching and not-abrasive cleaning substance.
 - Never use alkaline and/or acetous cleaning substances.
 - Make sure that the cleaning substance is carefully removed by rinsing with lots of clean water.
 - Signify recommends using a cleaning solution that has a PH between 5 and 8.
 - Recycle: For information on how to recycle electronic products and components, please visit www.epa.gov.

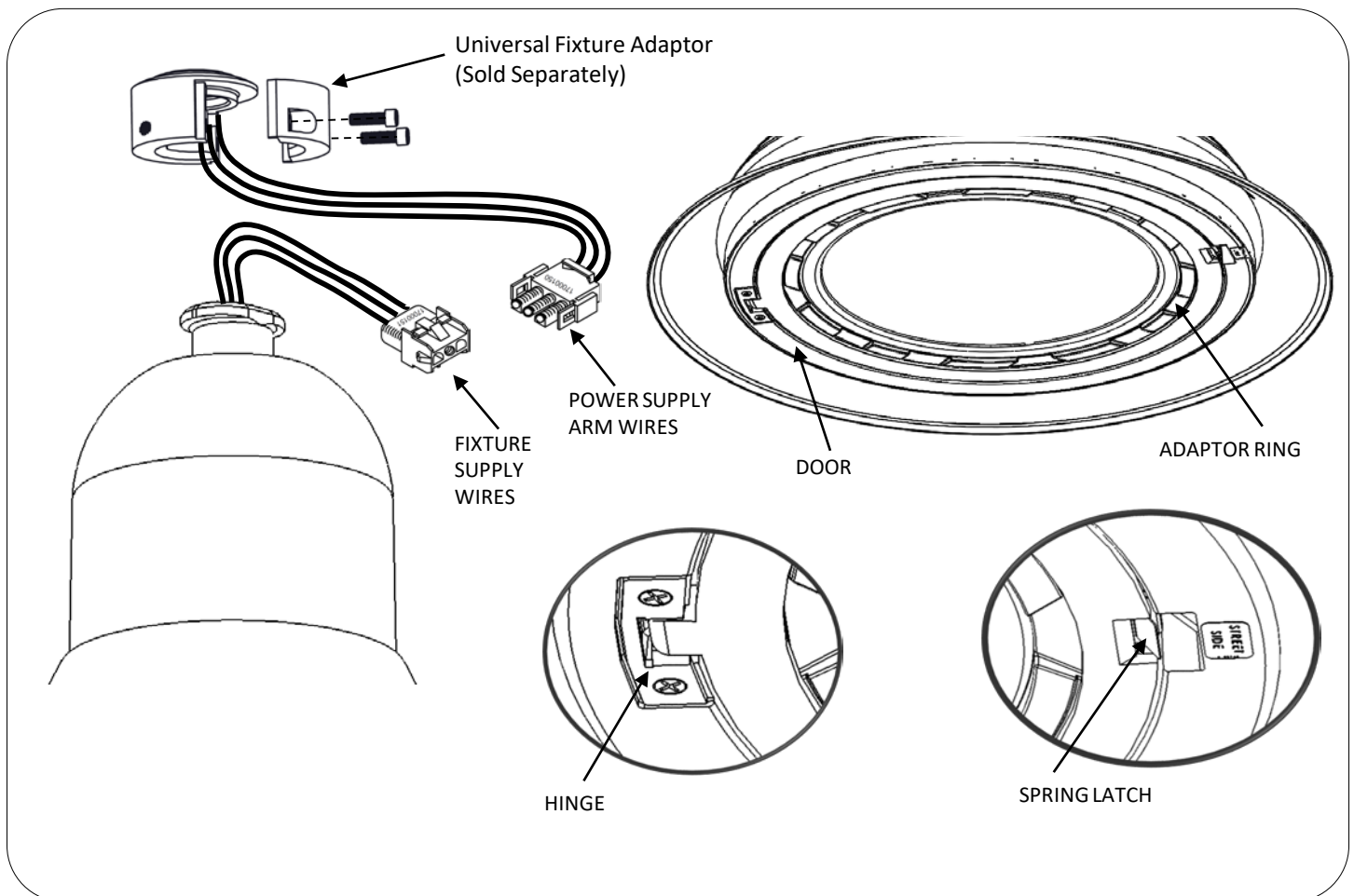
CXF14 & CXF15 Installation Instructions

Instructions for top mount fixtures



FOR INSTALLATION

1. The fixture is designed to hang from the Universal Fixture Adapter.
2. To hang the fixture, first connect the power supply quick-connect on the fixture to the quick-connect on the arm.
3. Then hang the fixture per the instructions supplied with your Adapter.
4. Be sure the fixture is straight and securely attached before proceeding.
5. Remove protected blue film from lens. Connect the power and test the fixture for proper operation.
6. After the installation is complete, deliver this instruction manual to the owner.



This fixture is intended for installation in accordance with the National Electrical Code and local code specifications. Failure to adhere to these codes and instructions may result in serious injury and/or damage to the ballast and void the warranty. These instructions do not purport to cover all details or variations in equipment, nor to provide for every possible contingency related to installation, operation, maintenance, or mounting situation. Should specific problems occur that are not addressed by these instructions, contact your Sales Representative or distributor for assistance. Retain these instructions for future reference.

CXF14 & CXF15 Installation Instructions

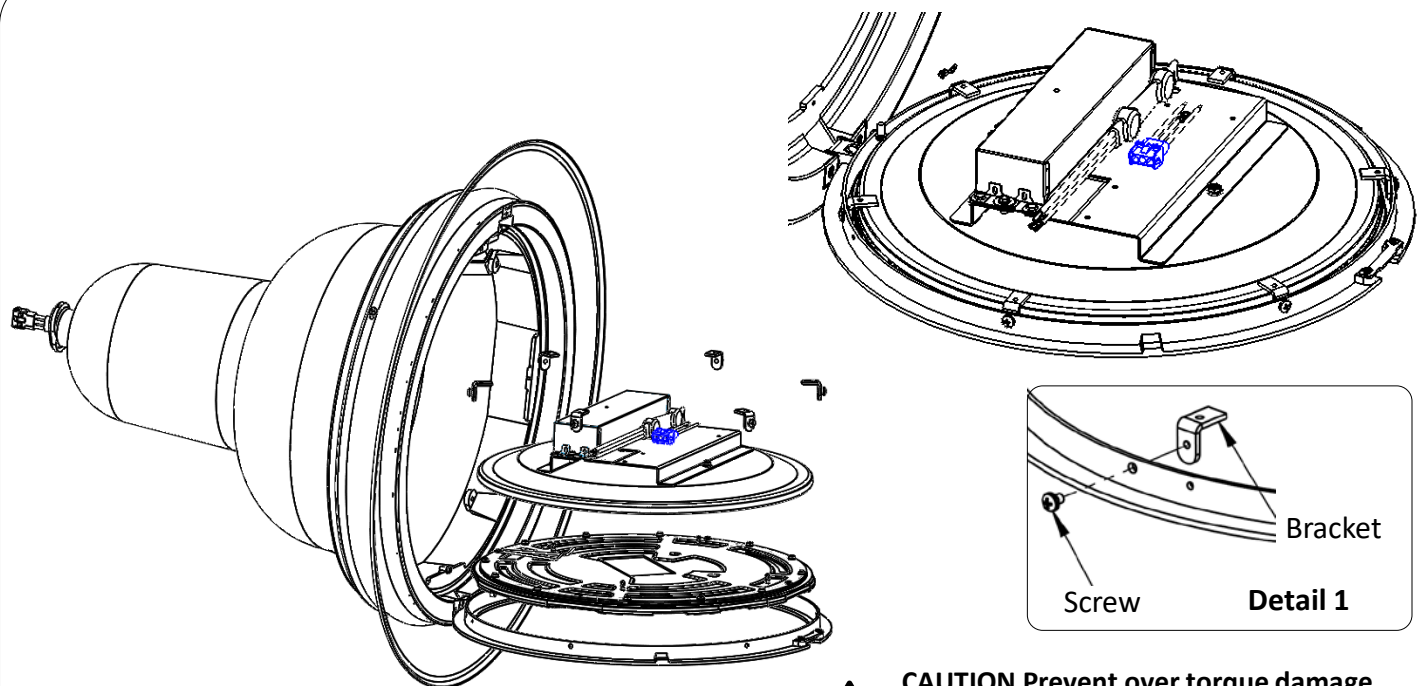
Instructions for top mount fixtures

TO REPLACE EDGELIT

1. It is a good idea to clean the fixture when doing this process. Avoid using harsh solvents or abrasives while cleaning fixture.
2. Open the lens door by pushing the spring latch away from the fixture.
3. Unscrew the "L" brackets (detail 1) from the door frame and remove the cover.
4. Remove and dispose of it in a responsible manner.
5. Install new Edgelit, referring to wire passage to ensure the correct orientation.
6. Place the cover with driver on top of Edgelit and secure the "L" brackets.
7. Close by pushing lens door up. Ensure that spring latch engages completely.
8. Remove protected blue film from lens.

DISCLAIMER

While we believe these instructions to be accurate at the time of publication, Hadco reserves the right to make changes to this fixture and/or components. The contractor should follow local and national electrical codes where required. For any further information please contact Hadco customer service.



CAUTION Prevent over torque damage
Do not over torque nuts and bolts

Signify