

DESCRIPTION

The next generation of lighting is here with the architecturally inspired Divide™ series powered by WaveStream™ LED. The broad offering of efficient LED products include a complete family of recessed, linear suspended, surface, and wall mounted luminaires. The Divide's modern, ultra-shallow design is complemented with functionally engineered features for practical use. High performing Accu-Aim™ optics allow for maximum energy savings while achieving desired light levels. Available in 1x4, 2x2 and 2x4 sizes, the Corelite Divide Recessed Series is ideal for open offices, private offices, retail, healthcare and educational facilities.

SPECIFICATION FEATURES

Construction

Flat panel construction measures just 1" deep combined with integral center gear tray for total fixture depth of 2-1/4". Housing is extruded aluminum and die-formed 20 gauge cold rolled steel. Integral gear tray measures 3-3/8" wide and accommodates electronic driver and optional emergency devices. Fixture weight = 14.0 lbs.

Optics

Optical grade acrylic embedded with patented Accu-Aim™ micro-optics for optimal distribution, low glare, and high performance. Specular (WS) or diffuse (WD) optical patterns are available to achieve the right

look for any application. See page 3 Photometric data for optical performance.

Finish

Fixture housings and back reflector are high reflectance white using electrostatically applied polyester powder coat paint. Optional antimicrobial paint (AM option) resists bacterial growth on exposed painted surfaces.

Electrical

LED light engines located on outer edge of fixture for ideal thermal management and increased product life. Projected life is 100,000 hours at 87% lumen output. LEDs are

available in 3000K, 3500K or 4000K with a typical CRI ≥ 85. Standard drivers are 0-10 volt continuous dimming that work with any 0-10V control/dimmer. Or, specify Digital Addressable Lighting Interface (DALI) drivers; for use with Fifth Light controls. See Ordering Information for details.

Mounting

Universal flange design works with most lay-in ceiling types. Integral Pry-out tabs secure luminaire to ceiling grid from above. Fixture offers tie-in locations for tie-wire on all corners. Consult local code for appropriate tie-wire recommendations. See Technical Notes section for drywall frame kit and surface mount kit options.

Compliance

Components are UL recognized and luminaires are cULus listed for 25°C ambient environments, damp location listed, and RoHS compliant. DesignLights Consortium™ Qualified and classified for DLC Standard and DLC Premium, refer to www.designlights.org for details.

Warranty

Five-year warranty.



DIVIDE - DRI

WaveStream™ LED

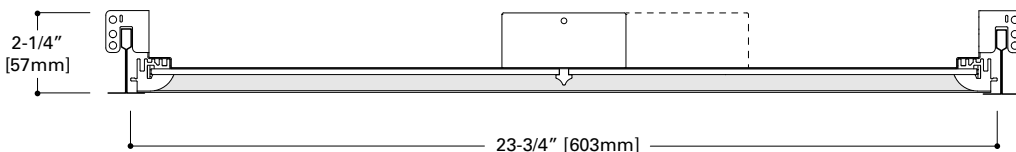
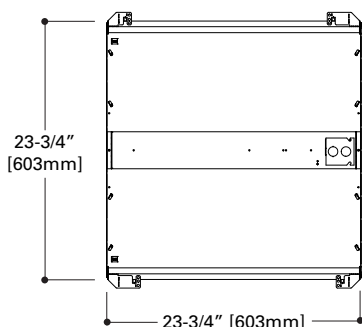
2' x 2' Recessed
2-1/4" Depth

CERTIFICATION DATA
cULus - 1598
Damp Location Listed
IC Rated
ROHS Compliant
DesignLights Consortium™ Qualified

LumaWatt Pro
Wireless sensing & control system | **enlighted**



powered by **fifthlight** technology



ORDERING INFORMATION

Sample Number: DRI-WS-3L35-UNV-22-T1-STD-SVPD1-EL14W-CP

Series ⁽¹⁾⁽²⁾	Optics	Light Level (2x2 Nominal delivered lumens)	Color Temperature	Input Voltage	Size
DRI = Divide Recessed	WS = WaveStream Specular Optic WD = WaveStream Diffuse Optic	1 = Light Level 1 (2000 Lms, 16W) 2 = Light Level 2 (2500 Lms, 20W) 3 = Light Level 3 (3000 Lms, 24W) 4 = Light Level 4 (3500 Lms, 29W) 5 = Light Level 5 (4000 Lms, 34W) 6 = Light Level 6 (4500 Lms, 39W)	L30 = LED 3000K L35 = LED 3500K L40 = LED 4000K	UNV = Universal (120V-277V) 347 = 347V ⁽³⁾	22 = 2' x 2'
Ceiling Type	Driver Type	Integral Sensor (Optional)	Emergency (Optional)	Options	
T1 = 1" T-Bar, Slot Grid, and 9/16" Tegular ⁽⁴⁾	STD = Standard 0-10V (10%-100%) HCD = 0-10V (1%-100%) STP = Step Dimming (Bi-Level, 50%) ⁽⁶⁾ 5LT = Fifth Light DALI (10%-100%) ⁽⁵⁾ 5LTHD = Fifth Light DALI (1%-100%) ⁽⁵⁾ SR = Sensor Ready (5%-100%)	SVPD1 = Integrated Occupancy/Daylight Sensor for Local Control ⁽⁷⁾⁽¹²⁾ SWPD1 = WaveLinX Wireless Integral Sensor ⁽⁸⁾⁽¹²⁾ LWIPD1 = Lumawatt Pro Wireless Integral Sensor ⁽⁹⁾⁽¹²⁾	EL14W = 14-watt 120V-277V Integral EM Battery Pack ⁽¹⁰⁾ RRU = UL924 Bypass Relay ⁽¹¹⁾	AM = Anti-microbial Coating CP = Chicago Plenum W6 = 6' Whip Flex W12 = 12' Whip Flex	

See page 2 for technical notes

TECHNICAL NOTES

1. DesignLights Consortium™ Qualified and classified for DLC Standard and DLC Premium, refer to www.designlights.org for details.
2. Dimming wires come standard in all LED fixtures but can be capped in the field for standard switched operation.
3. Integral 347V electronic driver with STD 0-10V option only. Factory supplied remote transformer for all other driver/dimming options.
4. "T1" ceiling type is compatible with Metalux DF Series Drywall Frame Kits and Metalux Universal Surface Mount Kits, ordered separately from Metalux. For 2x2 drywall frame kit, order part **#DF-22-W**. For 2x2 surface mount kit, order part **#SK-22-WS**.
5. Must be used in conjunction with a DALI control system. For a complete listing of Fifth Light Technology products and other solutions from Cooper Lighting Solutions, visit www.cooperlighting.com.
6. 2x2: STP driver not available in Light Levels 1, 2, 3, and 4.
7. SV sensor works only with 0-10V drivers and is factory prewired to the driver for stand-alone control. Order part **#SHH-01** for Programming Remote and part **#SHH-02** for Personal Control Remote.
8. SW sensor works only with STD and HCD 0-10V drivers. Designed for use with the WaveLinX Wireless Connected Lighting system. For complete WaveLinX wireless solutions, visit www.cooperlighting.com
9. LWI sensor option requires the use of the SR driver. Must be used in conjunction with a LumaWatt Pro control system. For complete LumaWatt Pro wireless solutions, visit www.cooperlighting.com
10. Integral emergency battery pack is 14W maximum, 90 minute output. A test switch/indicator button can be tested safely from the ground using a laser pointer, while the patented EZ Key prevents accidental discharge of the battery during construction. For approximate delivered lumens multiply the lumens per watt of the desired fixture by the wattage of the emergency battery pack (100 lm/W x 14=1400 lumens)
11. Used to bypass local control during outage. Must be used in conjunction with UL 1008 device (provided by others).
12. When luminaire is used on an emergency circuit, integrated sensors require the RRU Emergency Option to disable sensor control during emergency operation.

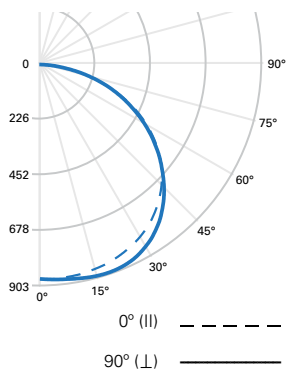
LUMEN MAINTENANCE

Ambient Temperature	TM-21 Lumen Maintenance (100,000 hours)	Theoretical L70 (Hours)
25°C	>87%	256,000

ENERGY AND PERFORMANCE DATA

2x2 – Divide Light Level Outputs and Distributions (3500K)				
Series	Light Level	Delivered Lumens	Wattage	Efficacy (LPW)
DRI-WS	1	1978	16.0	124
	2	2487	20.0	124
	3	2990	24.4	123
	4	3501	28.9	121
	5	4020	33.9	119
	6	4528	39.0	116
DRI-WD	1	1993	16.0	125
	2	2506	20.0	125
	3	3013	24.4	123
	4	3527	28.9	122
	5	4050	33.9	119
	6	4561	39.0	117

PHOTOMETRICS



FILE NAME: DRI-WS-3L35-UNV-22-T1-STD.IES

LAMP: (LD2) LED 3500K

LUMENS: 2990 Lm

WATTS: 24.4 W

EFFICACY: 123 Lm/W

TEST NO.: P189118

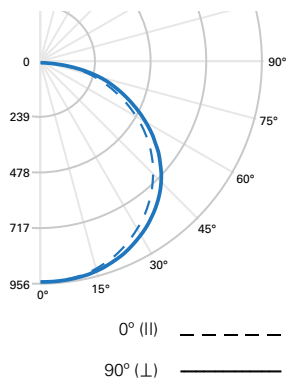
SC: (||) 1.37, (⊥) 1.43

ZONAL LUMENS SUMMARY

Zone	Lumens	% Fixture
0°-30°	736	24.6
0°-40°	1242	41.5
0°-60°	2293	76.7
0°-90°	2990	100

LUMINANCE DATA (cd/m²)

Vertical Angle	0°	45°	90°
45°	3298	3336	3402
55°	3328	3281	3374
65°	3247	3146	3336
75°	2941	2796	3127
85°	2216	1785	1908



FILE NAME: DRI-WD-3L35-UNV-22-T1-STD.IES

LAMP: (LD2) LED 3500K

LUMENS: 3013 Lm

WATTS: 24.4 W

EFFICACY: 124 Lm/W

TEST NO.: P189086

SC: (||) 1.28, (⊥) 1.31

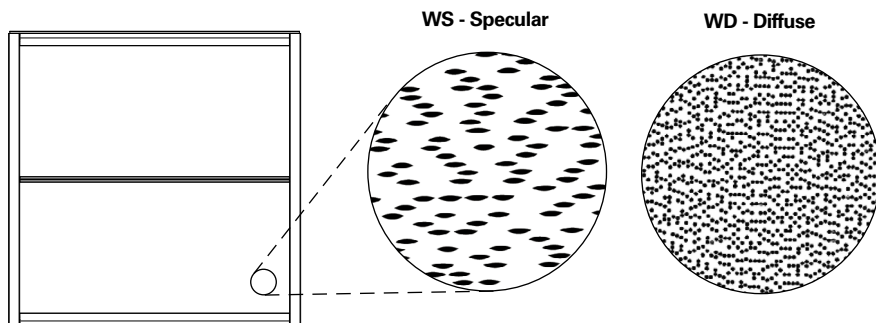
ZONAL LUMENS SUMMARY

Zone	Lumens	% Fixture
0°-30°	751	24.9
0°-40°	1245	41.3
0°-60°	2281	75.7
0°-90°	3013	100

LUMINANCE DATA (cd/m²)

Vertical Angle	0°	45°	90°
45°	3207	3253	3359
55°	3206	3281	3449
65°	3121	3222	3527
75°	2962	3065	3563
85°	2278	2031	2278

WAVESTREAM ACCU-AIM OPTIC PATTERNS



SVPD1 INTEGRATED SENSOR

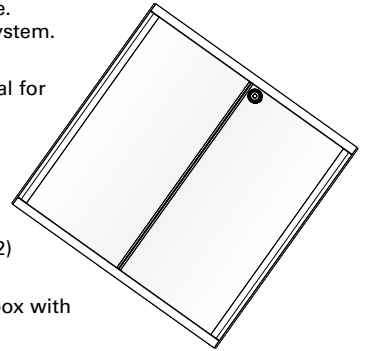
The Divide with Integrated Sensor technology provides automatic energy savings without sacrificing performance. Traditionally, these types of energy savings required coordination between the luminaire and a lighting control system. The Divide delivers superior lighting with integrated occupancy and daylighting controls.

Capture the benefits of traditional lighting controls, without complicated coverage planning or special wiring. Ideal for new construction or retrofit, the Divide delivers automatic ON to an energy saving light level, while ensuring lighting is turned OFF when the space is unoccupied.

The integral daylight sensor reduces the need for special daylight zone planning. The luminaire will automatically adjust the light level based on reflected light beneath the sensor in a closed loop method.

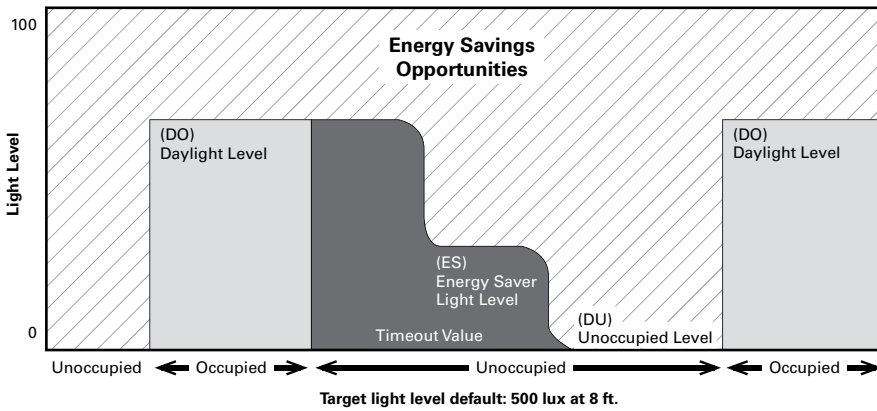
Occupied daylight light levels and unoccupied light levels can be adjusted using the integrated sensor programming remote (Catalog Number: ISHH-01). The integrated sensor personal remote (Catalog Number: ISHH-02) provides code compliant manual raise, lower, ON, OFF control.

The Divide with Integrated Sensor is easy to install with no special wiring and ensures energy savings out-of-the-box with default control settings.

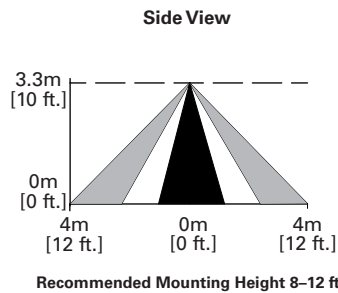
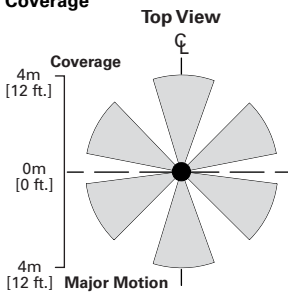


How it works:

- As the user enters the space controlled by the integral sensor, the lighting turns ON to the default daylight level.
- Lighting will remain at that the daylight level until the space is unoccupied. This will start the occupancy timeout period (default 20 minutes).
- If the space remains unoccupied for half of the timeout period, the lighting will automatically reduce to the Energy Saver light level. This adjustable light level is typically half of the occupied daylight level.
- At the end of the timeout period the lighting will go to the unoccupied light level. This adjustable light level uses the OFF default setting.



Coverage



Optional Remote Controls



ISHH-01 Programming Remote



ISHH-02 Personal Control Remote