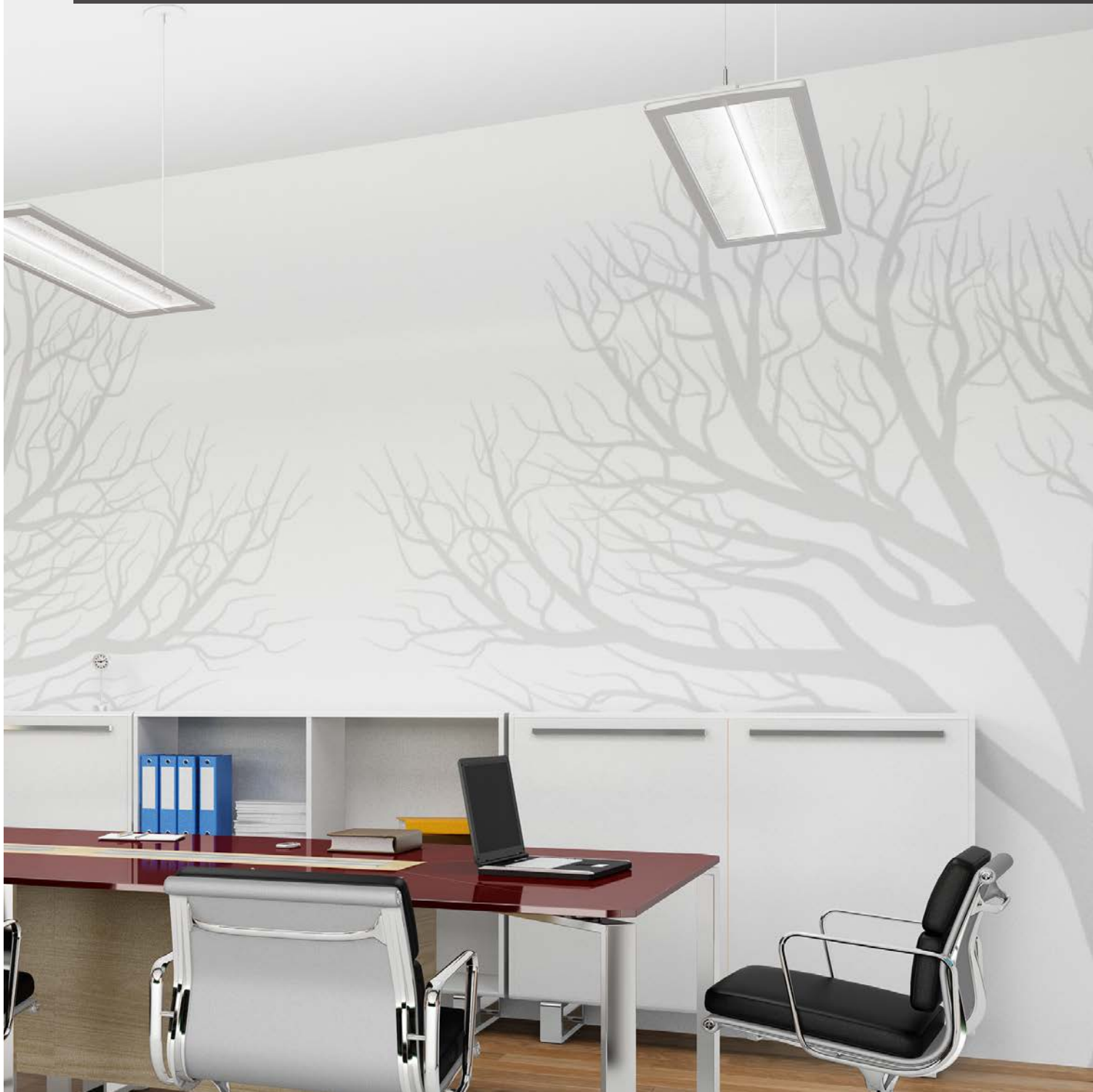


**DIVIDE**  
LED Recessed, Suspended, & Wall Luminaire

**Corelite™**





## Make every space iconic

Introducing the Corelite Divide series, a full breadth product family of architecturally inspired affordable LED luminaires featuring WaveStream™. WaveStream™ technology merges perfectly with Corelite luminaires due to the inherent advantages in LPW, optical control, and low profile design capabilities. With a complete family offering of recessed, suspended, surface, and wall, the Divide series gives the designer unsurpassed capabilities to create imaginative and profound lighting environments.

**DIVIDE**



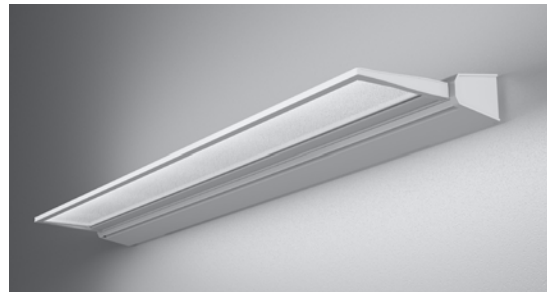
Recessed



Suspended



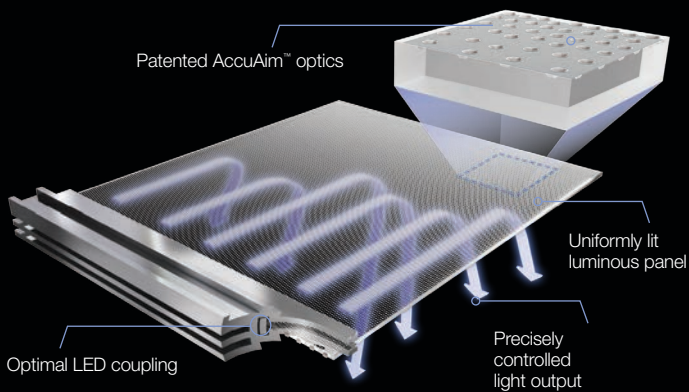
Surface



Wall

# WaveStream™ LED

*Taking Control of Light.*



## How the WaveStream™ System Works

WaveStream™ LED technology starts with an optical acrylic panel aligned with LEDs. AccuAim™ micro-optics are molded into optical grade acrylic to create a uniform low glare luminous appearance while shaping the most efficient light pathway to the work or room surface. Simply put, light can now be bent, dispersed, and directed from virtually any fixture, in any application. A technological breakthrough in lighting, WaveStream™ offers superior optical control, beautifully delivered.



## Micro Optical Design

AccuAim™ micro optics take lighting control to the next level. In the past, fixtures have required deep metal reflectors to achieve desired lighting results. With advanced manufacturing processes, miniature optical shapes have been precisely molded into a 3mm sheet of optical grade acrylic. The key benefits are drastically reduced fixture profiles and improved optical efficiency and optical control compared to lighting systems of yesterday.

# WaveStream™ is powerful; however, more gears are required to realize maximum energy savings

The technology gears of control intelligence, LED technology, and luminaire design work in perfect unison to drive system optimization.

**DIVIDE**



## LED Technology

LED technology is expected to experience significant performance growth (more light per watt) until the end of this decade. At the same time, the cost of this technology is expected to decline at a similar year-over-year rate. LED is firmly positioned as the lighting technology of today and the future. By incorporating today's most advanced LED technology and integrated control solutions, WaveStream™ luminaires represent the most unique and advanced LED lighting systems available.



## Luminaire Design

Successfully harnessing the power of WaveStream™ requires advanced luminaire design. The design teams at Eaton's Cooper Lighting business have been constructed to align with the technologies of today. Expert teams of mechanical, optical, industrial, and thermal engineers have actively collaborated to develop never before seen luminaire designs with increased luminaire efficiency and decreased wattage consumption. In addition to design, it is Eaton's philosophy to provide the most reliable and extensively tested luminaires in the industry.



## DALI & Controls

True system efficiency, and the power of WaveStream™, is fully realized when combined with DALI technology provided by Fifthlight. The benefit of DALI (Digitally Addressable Lighting Interface) drivers is the ability to easily control luminaires individually or in groups. Integrated control intelligence allows each luminaire to be precisely tuned to its specific environment maximizing energy efficiency and return on investment. Additionally, minimal control wires significantly decrease system installation complexity while being infinitely configurable without the need for additional wiring.

## Recessed 2x4



### Open Office Recessed Calculation Summary (30'L x 30'W x 8'H)

Catalog Number	DRI-WS-1L40-1D-UNV-T1-24
Number 16' of Luminaires	9
Watts/ 4' Luminaire	32.4 Watts
Lumens/ 4' Luminaire	3491
Horizontal Light Level	30 FC*
Spacing	10' x12' On Center
<b>Lighting Power Density</b>	<b>0.324 W/SFT</b>
% Better Than IECC 2012	68%

### Ultra low profile recessed series with matching family aesthetics

The strikingly beautiful recessed series adds elegance and sophistication to any space. The 2.5" profile makes it ideal for low clearance plenums, while the high performance distribution allows for wider spacing thus reducing the amount of luminaires needed.

\*All Calculations were performed utilizing a 0.8 Ceiling Reflectance, 0.5 Wall Reflectance, 0.2 Floor Reflectance, and a 0.91 Light Loss Factor. All light levels were calculated at 30" above finished floor. All IECC calculations were performed using the space by space method from IECC 2012.

Suspended

DIVIDE



## Divide suspended series offer great quality of light with unprecedented watts per square foot

The Divide's unique LED design makes a big statement while providing direct/indirect soft ambient illumination to all surfaces. The power of WaveStream™ optics and the latest LED technology allow for strikingly low watts per square foot.

### Open Office Suspended Calculation Summary (30'L x 60'W x 10'H)

Catalog Number	DSI-WS-1L40-1D-UNV-AC48-16
Number 16' of Luminaires	3
Watts/ 4' Luminaire	32 Watts
Lumens/ 4' Luminaire	3459
Horizontal Light Level	30 FC*
Spacing	18' On Center
<b>Lighting Power Density</b>	<b>0.214 W/SFT</b>
% Better Than IECC 2012	79%

\*All Calculations were performed utilizing a 0.8 Ceiling Reflectance, 0.5 Wall Reflectance, 0.2 Floor Reflectance, and a 0.91 Light Loss Factor. All light levels were calculated at 30" above finished floor. All IECC calculations were performed using the space by space method from IECC 2012.



Data Center/Stack Calculation Summary (40'L x 20'W x 10'H)	
Catalog Number	DSI-WS-2L35-1D-UNV-SU-JB-8
Number 8' of Luminaires	4
Watts/ 4' Luminaire	45.3 Watts
Lumens/ 4' Luminaire	4622
Horizontal Light Level	63 FC*
Vertical Light Level	37 FC*
Spacing	32' Row Centered
<b>Lighting Power Density</b>	<b>0.454 W/SFT</b>
% Better Than IECC 2012	73%

### Linear surface mount option adds design flexibility in the building environment

The Divide surface mount enhances spatial perception by providing direct and indirect lighting to the environment while allowing for high performance linear lighting in hard ceiling applications.

\*All Calculations were performed utilizing a 0.8 Ceiling Reflectance, 0.5 Wall Reflectance, 0.2 Floor Reflectance, and a 0.91 Light Loss Factor. All light levels were calculated at 30" above finished floor. All IECC calculations were performed using the space by space method from IECC 2012.



Wall

DIVIDE



### The Divide wall is the perfect stairwell luminaire

Stairways, corridors, and transition areas represent a significant portion of building spaces. The Divide wall mount is the ideal solution due to its asymmetric direct and indirect lighting distribution, long life, and low energy consumption. The Divide wall also accommodates common requirements such as integral battery backup and sensors.

Stair Calculation Summary (12'L x 16'W x 10'H)	
Catalog Number	DWI-WA-2L35-1D-UNV-SU-WA-4
Number of Luminaires	2 per level
Watts/Luminaire	23.1 Watts
Luminaire Lumens	2205
Light Level (on tread)	5.8 FC
Spacing	6' On Center
<b>Lighting Power Density</b>	<b>0.241 W/SFT</b>
% Better Than IECC 2012	66%

\*All Calculations were performed utilizing a 0.8 Ceiling Reflectance, 0.5 Wall Reflectance, 0.2 Floor Reflectance, and a 0.91 Light Loss Factor. All light levels were calculated at each stair tread. All IECC calculations were performed using the space by space method from IECC 2012.

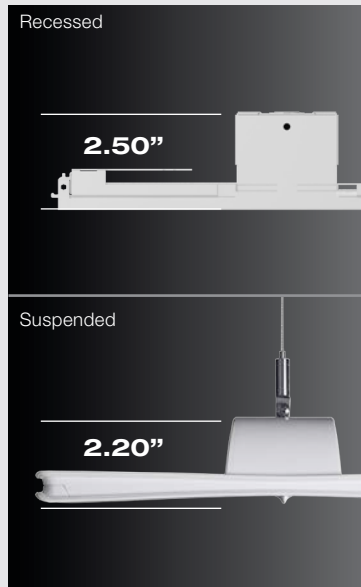
# KEY FEATURES

The Divide series upholds the Corelite legacy of functionality and installation ease. With numerous standard options from integral battery packs to onboard occupancy and photo sensors, it's the extensive breadth of unique features that sets the Divide series apart.



## FifthLight DALI

Integrated control intelligence with the Fifthlight DALI driver allows each luminaire to be precisely tuned to its specific environment maximizing energy efficiency and return on investment. The benefit of DALI (Digitally Addressable Lighting Interface) is the ability to control individual luminaires independently or in groups.



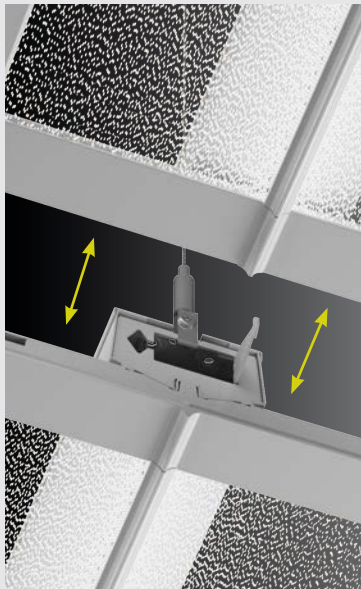
## Low Profile

The incredibly low profile of the Divide series allows for ease of ceiling coordination while providing a low glare and fully luminous solution. The low profile is still maintained while using the center spine to hold drivers, battery packs, and through wiring.



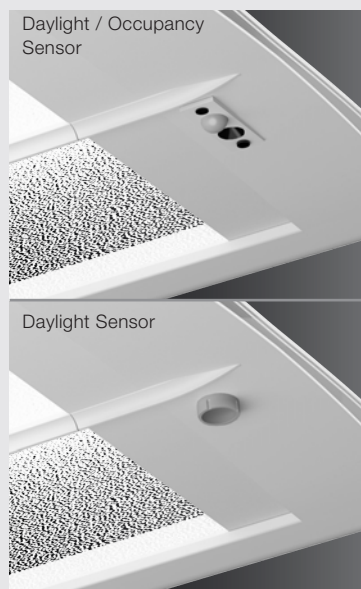
## Integral Battery

The battery is elegantly integrated directly into the center channel using the lowest profile battery available.



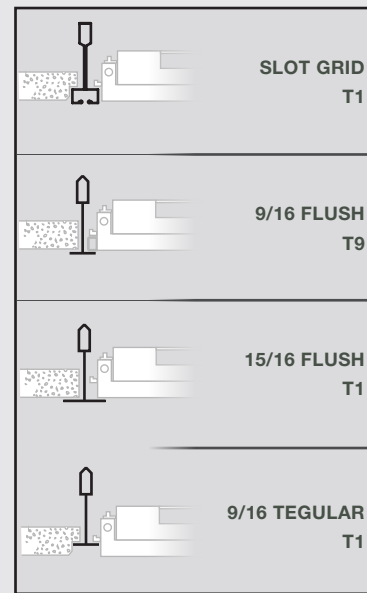
**Simplified Installation**

Every fixture is designed with unique and functional installation features such as the Quick-Tab Alignment for precision joining and fast installation.



**Integral Sensors**

Save energy by utilizing integral sensors in every Divide Series luminaire. This option provides integral daylight harvesting and/or occupancy sensor with onboard commissioning to provide immediate energy saving benefits.



**Universal Flange**

Whatever your ceiling grid style, the Corelite Divide recessed series has been uniquely engineered for precise integration with four standard "T" interfaces. The clean and flush finishes to typical architectural ceilings play a small but important role in the finished building environment.

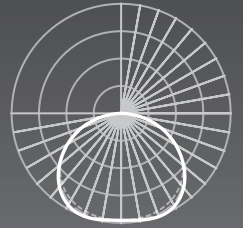


**Recessed LED Luminaire**  
General Lighting Applications



**DIVIDE DRI 2x2**

Light Level 1	23.6W	2250 lms*
Light Level 2	27.7W	2650 lms*
Light Level 3	34.1W	3250 lms*
Light Level 4	45.8W	4200 lms*
Light Level 5	59.5W	5450 lms*



**DIVIDE DRI - 2x4**

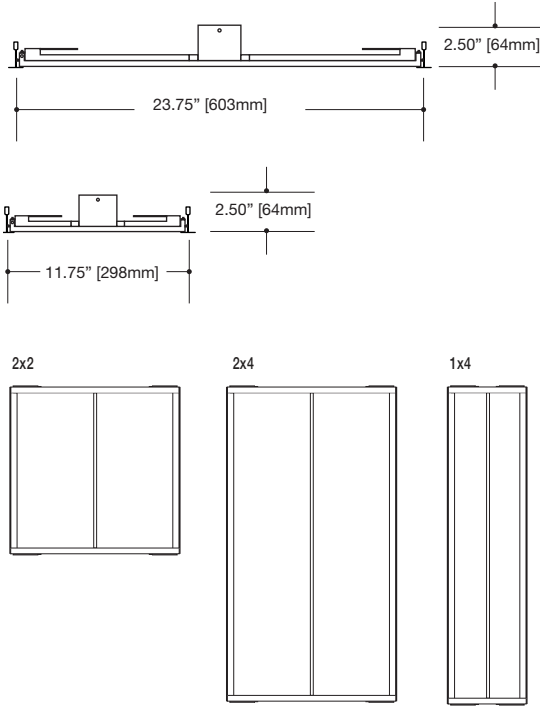
Light Level 1	32.4W	3450 lms*
Light Level 2	45.2W	4150 lms*
Light Level 3	56.8W	5550 lms*
Light Level 4	74.2W	7100 lms*
Light Level 5	93.7W	8650 lms*



**DIVIDE DRI - 1x4**

Light Level 1	32.4W	3300 lms*
Light Level 2	45.2W	3950 lms*
Light Level 3	56.8W	5300 lms*
Light Level 4	74.2W	6700 lms*
Light Level 5	93.7W	8200 lms*

\*Nominal lumens. Actual Lumen Levels vary depending upon color temperature and fixture size. Consult your representative for additional information.



**Construction** Die-formed 20 gauge cold rolled steel housing and 22 Gauge pre-paint gear tray. Extruded Aluminum heat sinks located on the outer edge of luminaire. **Lens** Lens is an optically coupled 4mm optical grade acrylic with AccuAim™ injection molded optical pattern. **Electrical** Cooper LED modules available in 3000, 3500 or 4000k with a CRI ≥ 82. Modules are driven using universal voltage constant current LED drivers. Fixture and modules certified to UL and cUL standards. 0-10V dimming control is standard. **Finish** Fixtures finished with high reflectance white electrostatically applied polyester powder coat paint. **Mounting** Standard flange works with most lay-in ceiling types. Integral pry-out tabs secure luminaire to ceiling grid. Fixture offers tie-in locations for tie-wire on all corners, consult local code for appropriate tie-wire recommendations.

**Concealed Ceiling Note:** Divide Recessed Series may be installed into inaccessible ceilings (sheet rock, wood panel, etc.) with the Metalux DFW series drywall frame-in kit, ordered separately. Specify "CC" for the Corelite Ceiling Type. 1x4-Metalux #DF-14W-U. 2x4-Metalux #DF-24W-U. 2x2- Metalux #DF-22W-U.

**NOTES**

1. Only one battery pack per fixture. 2x4 and 1x4: Battery is not available in Light Level 5.
2. Dimming wires come standard with all fixtures. Controls wires can be capped in the field for standard switched circuit operation.
3. This option accommodates 120V/220/240/277V at 50/60Hz.
4. 347V is achieved using a remote mounted transformer.
5. See universal surface mount installation instructions for further surface mount kit information.
6. 2x2: Fifthlight DALI driver not available in Light Levels 1 and 2.
7. Lutron Driver not available in Light Levels 4 and 5.
8. Sensor must be combined with 0-10V dimming driver.
9. MWS not available in all wiring configurations. Consult your representative for available options and whip lengths.

**RECESSED ORDERING**

**SERIES**

**DRI** Divide Recessed / Integral Driver

**OPTICS**

**WS** WaveStream™

**LIGHT LEVEL**

<b>1</b>	Light level 1	<b>4</b>	Light level 4
<b>2</b>	Light level 2	<b>5</b>	Light level 5
<b>3</b>	Light level 3		

**COLOR TEMPERATURE**

<b>L30</b>	LED 3000K
<b>L35</b>	LED 3500K
<b>L40</b>	LED 4000K

**NUMBER OF CIRCUITS**

**1** 1 circuit

**WIRING**

<b>B</b>	Battery Pack <sup>1</sup>	<b>E</b>	Emergency
<b>C</b>	Standard Circuit <sup>2</sup>	<b>T</b>	Nightlight
<b>D</b>	Dimming <sup>2</sup>	<b>Y</b>	Daylight

**VOLTAGE**

<b>120</b>	120V
<b>277</b>	277V
<b>UNV</b>	Universal 120V-277V <sup>3</sup>
<b>347</b>	347V <sup>4</sup>

**SIZE**

<b>22</b>	2' X 2'
<b>24</b>	2' X 4'
<b>14</b>	1' X 4'

**CEILING TYPE**

<b>T1</b>	1" Grid, Slot Grid, 9/16" Tegular
<b>T9</b>	9/16" T-bar
<b>CC</b>	Concealed Ceiling
<b>SU</b>	Surface Mount <sup>5</sup>

**DRIVER OPTIONS**

<b>5LT</b>	FifthLight DALI Driver <sup>6</sup>
<b>LUT</b>	Lutron Driver <sup>7</sup>
<b>BLANK</b>	Standard 0-10V Driver

**INTEGRAL CONTROL OPTIONS**

<b>DS</b>	Day-Sense integral daylight sensor <sup>8</sup>
<b>2S</b>	2Sense integral daylight/occupancy sensor <sup>8</sup>
<b>BLANK</b>	None

**OPTIONS**

<b>NY</b>	New York City Construction	<b>MWS</b>	Modular Wiring Systems Whip or Connector <sup>9</sup>
<b>W6</b>	6' Whip Flex		
<b>W12</b>	12' Whip Flex		

**ORDERING EXAMPLE**

**DRI-WS-3L35-1D-UNV-22-T1**

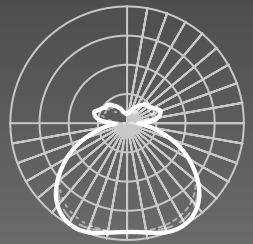


**Suspended LED Luminaire**  
 General Lighting Applications  
 25% UP / 75% DOWN

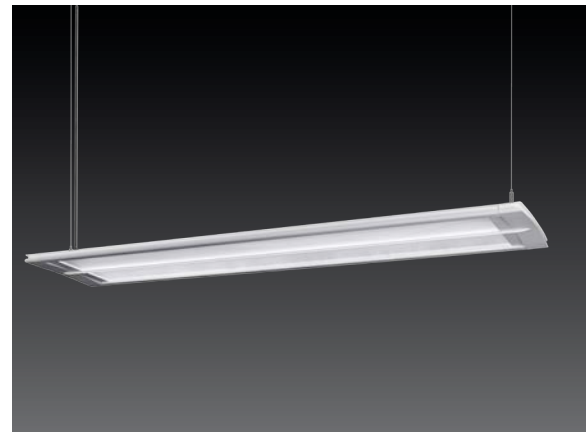


**DIVIDE DSI SUSPENDED 4'**

Light Level 1	31.8W	3300 lms*
Light Level 2	45.4W	4650 lms*
Light Level 3	56.9W	5600 lms*
Light Level 4	74.4W	7150 lms*
Light Level 5	94.4W	8750 lms*

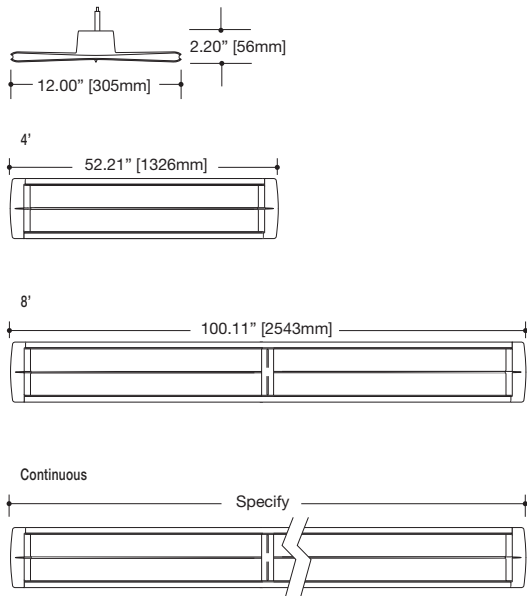


DSI - End View



DSI - 4' Suspended

\*Nominal lumens. Actual Lumen Levels vary depending upon color temperature and fixture size. Consult your representative for additional information.



**Construction** Die-formed 20 gauge cold rolled steel housing and 22 Gauge pre-paint gear tray. Extruded Aluminum heat sinks located on the outer edge of luminaire. **Lens** Lens is an optically coupled 4mm optical grade acrylic with AccuAim™ injection molded optical pattern. **Top Cover** Dust Cover (DC) is a high transmission clear formed acrylic. Frosted Cover (FC) is a frosted formed acrylic to reduce uplight and increase downlight. Solid Cover (SC) is 22 Gauge high reflectance white cold rolled steel for 100% downlight. **Electrical** Cooper LED modules available in 3000, 3500 or 4000k with a CRI ≥ 82. Modules are driven using universal voltage constant current LED drivers. Fixture and modules certified to UL and CUL standards. 0-10V dimming control is standard. **Finish** Fixtures finished with high reflectance white electrostatically applied polyester powder coat paint. **Mounting** Standard aircraft cable mounts on 4'-0" and 8'-0" centers. Refer to Installation instructions for various ceiling interface details. **Endcaps** Endcaps are diecast magnesium alloy for low weight and precision detail.

NOTES

1. Only one battery pack per 4' fixture. Battery is not available in Light Level 5.
2. Dimming wires come standard with all fixtures. Controls wires can be capped in the field for standard switched circuit operation.
3. This option accommodates 120/220/240/277V at 50/60Hz.
4. 347V is achieved using a remote mounted transformer.
5. Continuously mounted standard row configurations over 8' consist of 4' and 8' sections.
6. Lutron Driver not available in Light Levels 4 and 5.
7. Sensor must be combined with 0-10V dimming driver.
8. Top cover options cannot be combined with any other top cover options.

SUSPENDED ORDERING

SERIES

**DSI** Divide Suspended / Integral Driver

OPTICS

**WS** WaveStream™

LIGHT LEVEL

<b>1</b>	Light level 1	<b>4</b>	Light level 4
<b>2</b>	Light level 2	<b>5</b>	Light level 5
<b>3</b>	Light level 3		

COLOR TEMPERATURE

<b>L30</b>	LED 3000K	<b>L40</b>	LED 4000K
<b>L35</b>	LED 3500K		

NUMBER OF CIRCUITS

**1** 1 circuit

WIRING

<b>B</b>	Battery Pack <sup>1</sup>	<b>E</b>	Emergency
<b>C</b>	Standard Circuit <sup>2</sup>	<b>T</b>	Nightlight
<b>D</b>	Dimming <sup>2</sup>	<b>Y</b>	Daylight

VOLTAGE

<b>120</b>	120V	<b>UNV</b>	Universal 120V-277V <sup>3</sup>
<b>277</b>	277V	<b>347</b>	347V <sup>4</sup>

SUSPENSION

**A** Aircraft cable

POWER FEED

**C** Straight cord  
**K** Curly cord

SUSPENSION LENGTH

<b>48</b>	48"	<b>300</b>	300"
<b>120</b>	120"	<b>360</b>	360"
<b>240</b>	240"	<b>XX</b>	Specify length <sup>5</sup>

CEILING TYPE

<b>T1</b>	1" Grid, Slot Grid, 9/16" Tegular	<b>ST</b>	Structure
<b>T9</b>	9/16" T-bar	<b>JB</b>	4" Octagonal J-Box
<b>TS</b>	Slotted T-Bar		

LENGTH

**4** 4'  
**8** 8'  
**XX** Specify length

DRIVER OPTIONS

<b>5LT</b>	FifthLight DALI Driver	<b>BLANK</b>	Standard 0-10V Driver
<b>LUT</b>	Lutron Driver <sup>6</sup>		

INTEGRAL CONTROL OPTIONS

**DS** Day-Sense integral daylight sensor <sup>7</sup>  
**2S** 2Sense integral daylight/occupancy sensor <sup>7</sup>  
**OS** Integral Occupancy Sensor  
**BLANK** None

TOP COVER OPTIONS <sup>8</sup>

<b>DC</b>	Dust cover	<b>SC</b>	Solid white cover
<b>FC</b>	Frosted cover	<b>BLANK</b>	No cover

FINISH

<b>BLANK</b>	White	<b>CC</b>	Custom color
<b>S</b>	Silver		

ORDERING EXAMPLE

**DSI-WS-1L35-1D-AC48-T1-4**

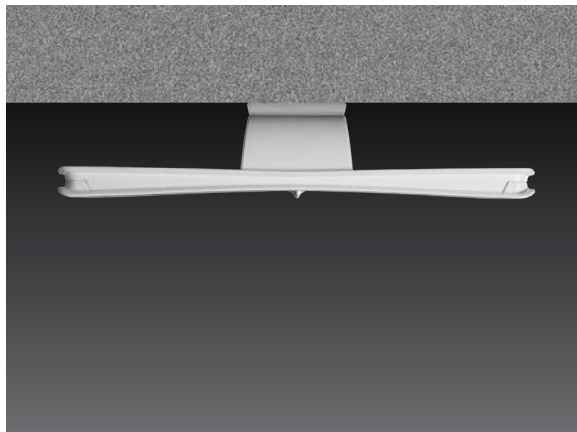
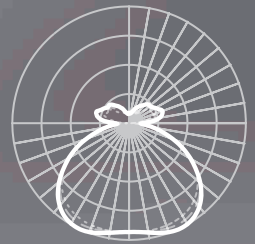


Surface LED Luminaire  
 General Lighting Applications  
 25% UP / 75% DOWN

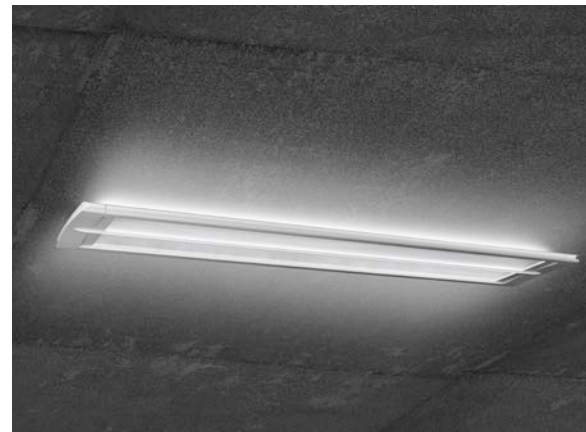


**DIVIDE DSI SURFACE 4'**

Light Level 1	31.8W	3300 lms*
Light Level 2	45.4W	4650 lms*
Light Level 3	56.9W	5600 lms*
Light Level 4	74.4W	7150 lms*
Light Level 5	94.4W	8750 lms*



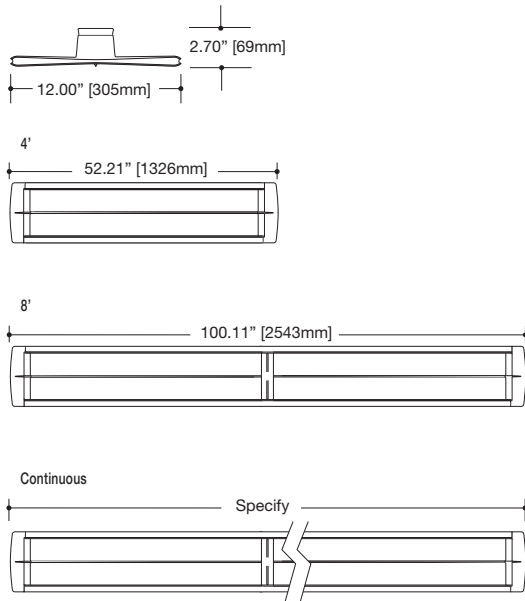
DSI - End View



DSI - 4' Surface

\*Nominal lumens. Actual Lumen Levels vary depending upon color temperature and fixture size. Consult your representative for additional information.





**Construction** Die-formed 20 gauge cold rolled steel housing and 22 Gauge pre-paint gear tray. Extruded Aluminum heat sinks located on the outer edge of luminaire. **Lens** Lens is an optically coupled 4mm optical grade acrylic with AccuAim™ injection molded optical pattern. **Top Cover** Dust Cover (DC) is a high transmission clear formed acrylic. Frosted Cover (FC) is a frosted formed acrylic to reduce uplight and increase downlight. Solid Cover (SC) is 22 Gauge high reflectance white cold rolled steel for 100% downlight. **Electrical** Cooper LED modules available in 3000, 3500 or 4000k with a CRI ≥ 82. Modules are driven using universal voltage constant current LED drivers. Fixture and modules certified to UL and CUL standards. 0-10V dimming control is standard. **Finish** Fixtures finished with high reflectance white electrostatically applied polyester powder coat paint. **Mounting** Luminaire mounts to surface rail system for controlled straight rows. Refer to Installation instructions for various ceiling interface details. Fixture can mount horizontally or vertically on wall. **Endcaps** Endcaps are diecast magnesium alloy for low weight and precision detail.

NOTES

1. Only one battery pack per 4' fixture. Battery is not available in Light Level 5.
2. Dimming wires come standard with all fixtures. Controls wires can be capped in the field for standard switched circuit operation.
3. This option accommodates 120/220/240/277V at 50/60Hz.
4. 347V is achieved using a remote mounted transformer.
5. J-box provided by others. See installation details for further information. Fixture can be surface mounted to the ceiling or wall in the horizontal or vertical orientation.
6. Continuously mounted standard row configurations over 8' consist of 4' and 8' sections.
7. Lutron Driver not available in Light Levels 4 and 5.
8. Sensor must be combined with 0-10V dimming driver.
9. Top cover options cannot be combined with any other top cover options.

SURFACE ORDERING

SERIES

**DSI** Divide Surface / Integral Driver

OPTICS

**WS** WaveStream™

LIGHT LEVEL

<b>1</b>	Light level 1	<b>4</b>	Light level 4
<b>2</b>	Light level 2	<b>5</b>	Light level 5
<b>3</b>	Light level 3		

COLOR TEMPERATURE

<b>L30</b>	LED 3000K	<b>L40</b>	LED 4000K
<b>L35</b>	LED 3500K		

NUMBER OF CIRCUITS

**1** 1 circuit

WIRING

<b>B</b>	Battery Pack <sup>1</sup>	<b>E</b>	Emergency
<b>C</b>	Standard Circuit <sup>2</sup>	<b>T</b>	Nightlight
<b>D</b>	Dimming <sup>2</sup>	<b>Y</b>	Daylight

VOLTAGE

<b>120</b>	120V	<b>UNV</b>	Universal 120V-277V <sup>3</sup>
<b>277</b>	277V	<b>347</b>	347V <sup>4</sup>

CEILING / WALL TYPE

**SU-JB** Wall / Ceiling Mount <sup>5</sup>

LENGTH

<b>4</b>	4'	<b>XX</b>	Specify Length <sup>6</sup>
<b>8</b>	8'		

DRIVER OPTIONS

<b>5LT</b>	FifthLight DALI Driver	<b>BLANK</b>	Standard 0-10V Driver
<b>LUT</b>	Lutron Driver <sup>7</sup>		

INTEGRAL CONTROL OPTIONS

<b>DS</b>	Day-Sense integral daylight sensor <sup>8</sup>
<b>2S</b>	2Sense integral daylight/occupancy sensor <sup>8</sup>
<b>BLANK</b>	None

TOP COVER OPTIONS <sup>9</sup>

<b>DC</b>	Dust cover	<b>SC</b>	Solid white cover
<b>FC</b>	Frosted cover	<b>BLANK</b>	No cover

FINISH

<b>BLANK</b>	White	<b>CC</b>	Custom color
<b>S</b>	Silver		

ORDERING EXAMPLE

**DSI-WS-1L35-1D-UNV-SU-JB-4**

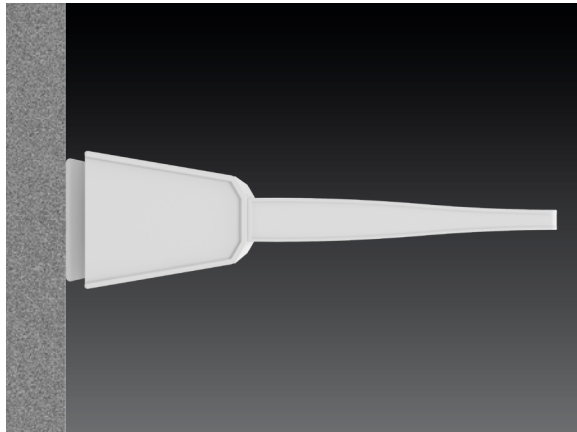
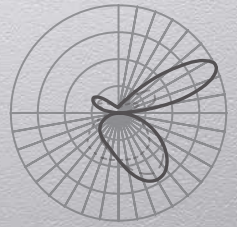


**Wall Mount LED Luminaire**  
 General Lighting Applications  
 43% UP / 57% DOWN

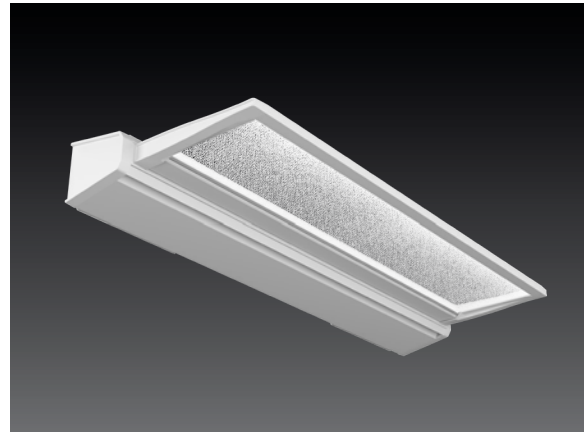


**DIVIDE DWI WALL 4'**

Light Level 1	16.3W	1500 lms*
Light Level 2	23.1W	2200 lms*
Light Level 3	27.4W	2600 lms*
Light Level 4	36.1W	3400 lms*
Light Level 5	45.9W	4200 lms*
Light Level 6	58.0W	5200 lms*



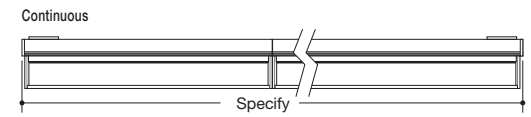
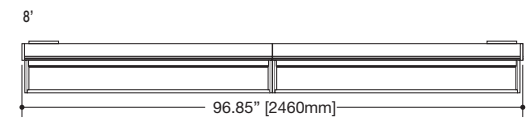
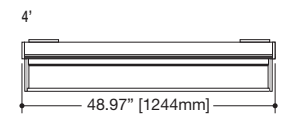
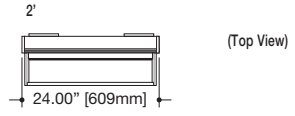
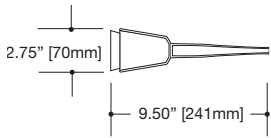
**DWI - Profile**



**DIVIDE DWI WALL 2'**

Light Level 1	8.1W	800 lms*
Light Level 2	12.1W	1100 lms*
Light Level 3	14.1W	1300 lms*
Light Level 4	18.0W	1700 lms*
Light Level 5	23.0W	2100 lms*

\*Nominal lumens. Actual Lumen Levels vary depending upon color temperature and fixture size. Consult your representative for additional information.



**Construction** Die-formed 20 gauge cold rolled steel housing and 22 Gauge pre-paint gear tray. Extruded Aluminum heat sinks located on the inner edge of luminaire. **Lens** Lens is an optically coupled 4mm optical grade acrylic with AccuAim™ injection molded optical pattern. **Top Cover** Dust Cover (DC) is a high transmission clear formed acrylic. Frosted Cover (FC) is a frosted formed acrylic to reduce uplight and increase downlight. Solid Cover (SC) is 22 Gauge high reflectance white cold rolled steel for 100% downlight. **Electrical** Cooper LED modules available in 3000, 3500 or 4000k with a CRI ≥ 82. Modules are driven using universal voltage constant current LED drivers. Fixture and modules certified to UL and CUL standards. 0-10V dimming control is standard. **Finish** Fixtures finished with high reflectance white electrostatically applied polyester powder coat paint. **Mounting** Luminaire mounts to wall bracket every 4'-0" or 8'-0". Refer to Installation instructions for various ceiling interface details. **Endcaps** End caps are diecast Aluminum.

- NOTES**
- Light Level 6 not available in 2' length.
  - Only one battery pack per fixture. Battery pack not available in 2' length.
  - Dimming wires come standard with all fixtures. Controls wires can be capped in the field for standard switched circuit operation.
  - This option accommodates 120/220/240/277V at 50/60Hz.
  - 347V is achieved using a remote mounted transformer.
  - Continuously mounted standard row configurations over 8' consist of 4' and 8' sections.
  - 4' and 8' Sections: Lutron Driver not available in Light Level 5 & 6
  - 2': Fifthlight DALI driver not available. 4' and 8': Fifthlight DALI driver not available in Light Levels 1, 2, and 3.
  - Sensor must be combined with 0-10V dimming driver.
  - Top cover options cannot be combined with any other top cover options.

## WALL ORDERING

### SERIES

**DWI** Divide Wall Mount LED

### OPTICS

**WA** WaveStream™ Asymmetric

### LIGHT LEVEL

<b>1</b>	Light level 1	<b>4</b>	Light level 4
<b>2</b>	Light level 2	<b>5</b>	Light level 5
<b>3</b>	Light level 3	<b>6</b>	Light level 6 <sup>1</sup>

### COLOR TEMPERATURE

<b>L30</b>	LED 3000K	<b>L40</b>	LED 4000K
<b>L35</b>	LED 3500K		

### NUMBER OF CIRCUITS

**1** 1 circuit

### WIRING

<b>B</b>	Battery Pack <sup>2</sup>	<b>E</b>	Emergency
<b>C</b>	Standard Circuit <sup>3</sup>	<b>T</b>	Nightlight
<b>D</b>	Dimming <sup>3</sup>	<b>Y</b>	Daylight

### VOLTAGE

<b>120</b>	120V	<b>UNV</b>	Universal 120V-277V <sup>4</sup>
<b>277</b>	277V	<b>347</b>	347V <sup>5</sup>

### CEILING / WALL TYPE

**SU-WA** Wall Mount

### LENGTH

<b>2</b>	2'	<b>8</b>	8'
<b>4</b>	4'	<b>XX</b>	Specify Length <sup>6</sup>

### DRIVER OPTIONS

<b>5LT</b>	FifthLight DALI Driver <sup>7</sup>	<b>BLANK</b>	Standard 0-10V Driver
<b>LUT</b>	Lutron Driver <sup>8</sup>		

### INTEGRAL CONTROL OPTIONS

<b>DS</b>	Day-Sense integral daylight sensor <sup>9</sup>
<b>2S</b>	2Sense integral daylight/occupancy sensor <sup>9</sup>
<b>BLANK</b>	None

### TOP COVER OPTIONS <sup>10</sup>

<b>DC</b>	Dust cover	<b>SC</b>	Solid white cover
<b>FC</b>	Frosted cover	<b>BLANK</b>	No cover

### FINISH

<b>BLANK</b>	White	<b>CC</b>	Custom color
<b>S</b>	Silver		

### ORDERING EXAMPLE

**DWI-WA-3L35-1D-UNV-SU-WA-4**

#### Our Lighting Product Brands

Halo  
Halo Commercial  
Portfolio  
IRiS  
RSA  
Metalux  
Corelite  
Neo-Ray  
Fail-Safe  
MWS  
Ametrix  
Shaper  
io  
Lumark  
McGraw-Edison  
Invue  
Lumière  
Streetworks  
AtLite  
Sure-Lites

#### Our Controls Product Brands

Greengate  
iLumin  
Zero 88  
Fifth Light Technology  
iLight (International Only)



**Cooper Lighting Solutions**  
18001 East Colfax Avenue  
Aurora, CO 80011  
P: 303-393-1522  
[www.cooperindustries.com](http://www.cooperindustries.com)

© 2021 Cooper Lighting Solutions  
All Rights Reserved  
Printed in USA  
Publication No. ADE140433  
May 2021

**Cooper Lighting Solutions** is a registered trademark.

All other trademarks are property of their respective owners.