

DESCRIPTION

The Corelite Class R6 small aperture linear LED luminaire is the ideal solution to numerous design requirements. Utilizing the Corelite engineered linear optical system the R6 delivers lumens both to the task surface yet maintains a soft luminous glow for high visual comfort. The low profile housing can be installed in most grid types including Armstrong Techzone™. The R6 is perfectly suited for open offices, corridors, perimeters, or any space with stringent design or energy requirements.

Catalog #		Type
Project		
Comments		Date
Prepared by		

SPECIFICATION FEATURES

Construction

Low profile 3-3/4" housing constructed of die-formed 20 gauge cold rolled steel with integral 20 gauge gear tray. High reflectance sheet metal internal reflectors can be removed for easy access to driver compartment from below ceiling plenum.

Shielding

High light transmission curved frosted linear prismatic acrylic lens with UV inhibitors. Lens can be removed without the use of tools for easy access to light engine.

Light Engine

LED's are available in 3000K, 3500K or 4000K with CRI ≥80CRI. Lumen output will be affected - please refer to the lumen adjustment factor table.

Electrical

Long-Life LED system coupled with integral electronic drivers to deliver optimal performance. Standard with 120-277V 0-10V dimming drivers (1% standard). 347V 0-10V drivers are available. Dimming wires come standard but can be capped in the field for standard switched operation.

Controls

Options compatible with Cooper Lighting Solutions' Connected Lighting Systems:

- Fifth Light DALI driver

Refer to the Connected Lighting options page and ordering information for more details.

Mounting

Universal flange design works with most lay-in ceiling types including Armstrong Techzone™. Integral pry-out tabs secure luminaire to ceiling grid from above. Fixture offers tie-in locations for tie-wire on all corners. Consult local code for appropriate tie-wire recommendations.

Finish

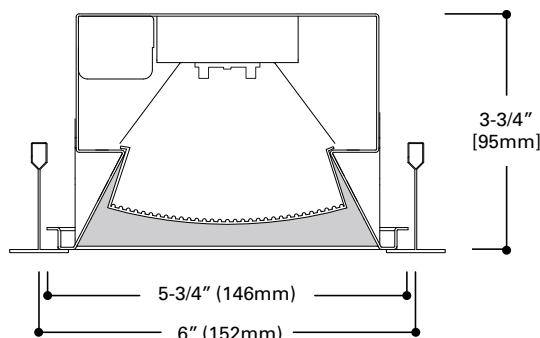
Fixture housing is high reflectance white using electrostatically applied polyester powder coat paint for durability and luminous uniformity.



CLASS R6 LED

6" x 2' / 4' Recessed
3-3/4" Depth

cULus - 1598
Damp Location Listed
IC Rated
LM79/LM80 Compliant
ROHS Compliant



ORDERING INFORMATION

Sample Number: R6-WL-30L835-LD5-UNV-4-T1-STD

Series	Shielding	Lumen Package (Nominal 3500K delivered lumens)	Color Temperature	LED Revision	Input Voltage
R6 = Class R6 LED Recessed	WL = Frosted Linear Prismatic	10L = 1000 lumens (2 ft) 15L = 1500 lumens (2 ft) 20L = 2000 lumens (2 ft / 4 ft) 30L = 3000 lumens (4 ft) 40L = 4000 lumens (4 ft)	830 = LED 3000K, 80 CRI 835 = LED 3500K, 80 CRI 840 = LED 4000K, 80 CRI	LD5 = LED 5.0	UNV = Universal (120V-277V) 347 = 347V
Refer to performance table on Page 3 for more detail.					

Size	Ceiling Type	Driver Type	Options
2 = 6" x 2' 4 = 6" x 4'	T1 = 1" T-Bar, Slot Grid, and 9/16" Tegular T9 = 9/16" T-Bar (Flush)	STD = Standard 0-10V (1%-100%) 5LT = Fifth Light DALI (5%-100%) LH = Lutron HiLume 1% EcoSystems (LDE1) L5 = Lutron 5-Series 5% EcoSystems (LDE5)	CP = Chicago Plenum W6 = 6' Whip Flex W12 = 12' Whip Flex
*T1 ceiling type is compatible with Metalux DF and DFR Series Drywall Frame Kits, ordered separately from Metalux.		Lutron driver options not available in 2ft unit size.	See specification features for flexible metal conduit details.

SPECIFICATION FEATURES CONTINUED

Lumen Maintenance

Projected lumen maintenance based on TM-21 standards is L87 > 60,000 hours at 25°C ambient conditions.

Emergency Options

Integral emergency options not available.

Flexible Metal Conduit Options

Flex options available for 0-10V dimming control, DALI dimming control, emergency and night light functions. 72-inch or 144-inch factory-installed and

pre-wired to driver, fitted to luminaire housing access plate with 90° enclosed FMC connector. Default flex option is A3/8-4/18GDIM; 3/8" flexible metal conduit with 2-#18 power and ground wires and 2-#18 UL-listed jacketed 0-10V +/- control wires. Not all options may be combined and installation rating vary by type.

Weight

2ft - 6.0 lbs.
4ft - 10.0 lbs.

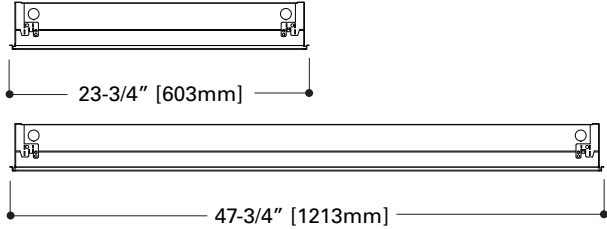
Compliance

Modules are UL recognized components and indoor luminaires are cULus listed for 25°C ambient environments, damp location listed, and RoHS compliant. LED modules comply with IESNA LM-79 and LM-80 standards.

Warranty

Five year warranty.

MOUNTING DATA



ENERGY AND PERFORMANCE DATA

R6 Light Level Outputs (3500K, 80 CRI)				
Series	Lumen Package	Delivered Lumens per foot	Wattage per foot	Efficacy (LPW)
R6-WL 2 ft	10L	1038	9.2	112
	15L	1489	12.7	117
	20L	2012	18.4	109
R6-WL 4 ft	20L	2075	16.5	126
	30L	2978	24.2	123
	40L	4024	34.7	116

LUMEN ADJUSTMENT FACTORS

CCT	80 CRI
3000K	0.960
3500K	1.000
4000K	1.020

Example Calculation:

4 ft / 30L / 3500K / 80 CRI

Lumen Output selected = 2978 lms

3000K / 80 CRI Desired

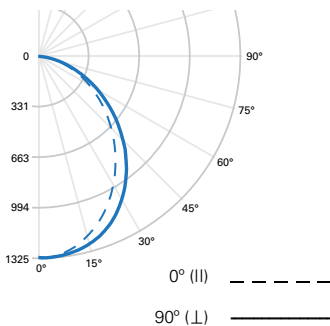
Lumen Adjustment Factor = 0.960

Adjusted Lumen Output = 2978 lms x 0.960 = 2859 lms

LUMEN MAINTENANCE

Ambient Temperature	TM-21 Lumen Maintenance (60,000 hours)	Theoretical L70 (Hours)
25°C	>87%	148,000

PHOTOMETRICS



FILE NAME: R6-WL-30L835-LD5-UNV-4-STD

LAMP: (LD5) LED 3500K

LUMENS: 2978 Lm

WATTS: 24.2 W

EFFICACY: 123 Lm/W

TEST NO.: G2-1808-915-2

SC: (II) 1.22, (L) 1.18

ZONAL LUMENS SUMMARY

Zone	Lumens	% Fixture
0°-30°	1000	33.6
0°-40°	1591	53.4
0°-60°	2547	85.5
0°-90°	2978	100

LUMINANCE DATA (cd/m²)

Vertical Angle	0°	45°	90°
45°	6990	6616	5484
55°	6120	5298	4038
65°	5160	4015	3053
75°	4113	2917	2393
85°	3035	1777	1481