

Class R6 LED or Fluorescent

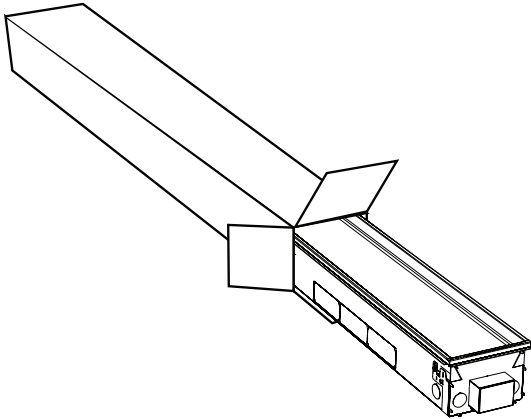
WARNINGS

- 1). **WARNING!** Risk of Electric Shock. Disconnect power at fuse or circuit breaker before installing or servicing.
- 2). **WARNING!** - Risk of Fire/Electric Shock. If not qualified, consult an electrician.
- 3). **WARNING!** - Risk of fire or electric shock. Luminaires wiring, ballasts, or other electrical parts may be damaged when drilling for installation of reflector kit hardware. Check for enclosed wiring and components.
- 4). **WARNING!** - Avoid contact with LED modules.

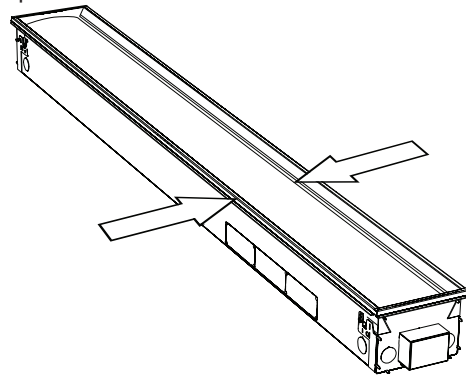
NOTES

- 1). **NOTE!** - This product must be installed in accordance with the applicable installation code by a certified electrician, familiar with the construction and operation of the product and hazards involved.
- 2). **NOTE!** - Only those open holes indicated in the photographs and/or drawings may be made or altered as a result of kit installation. Do not leave any other open holes in an enclosure of wiring or electrical components.
- 3). **NOTE!** - To prevent wiring damage or abrasion, do not expose wiring to edges of sheet metal or any sharp objects.
- 4). **NOTE!** - Disconnect all power before proceeding.
- 5). **NOTE!** - "Doghouse" component on end of fixture is intended for T8 lamplung only. A maximum of (8) fixtures can be mounted in a continuous row with each "Doghouse" facing the opposite direction starting from the center of the run.

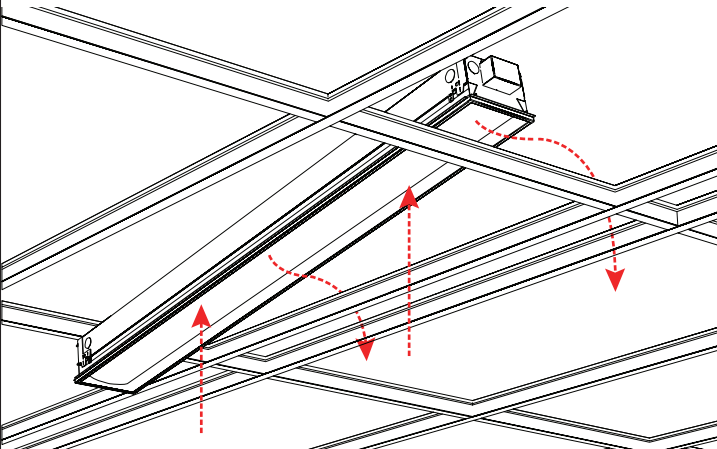
1. Unpack fixture from box.



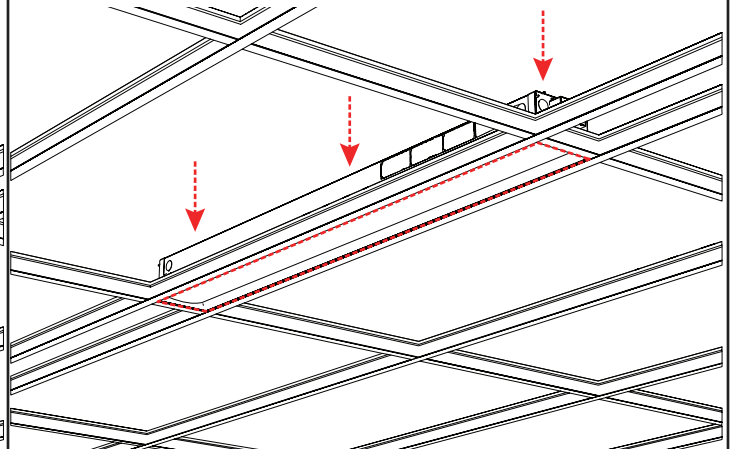
2. If installing an LED fixture, leave the lens installed during installation. If installing a fluorescent module, the lens should be left installed until just prior to installing lamps.



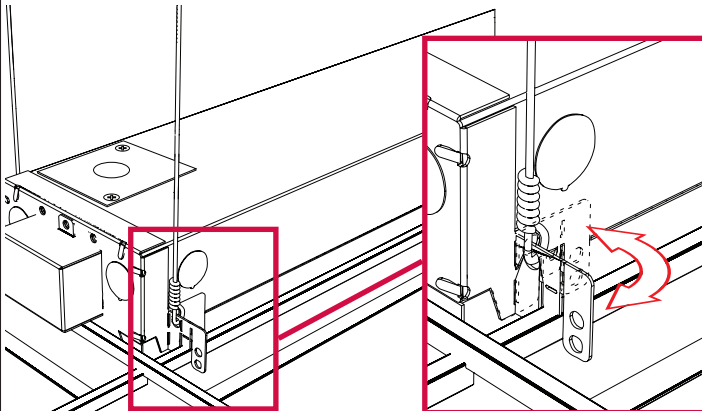
3. To install fixture into grid, raise it through an adjacent cell and then into the cell where it is to be installed.



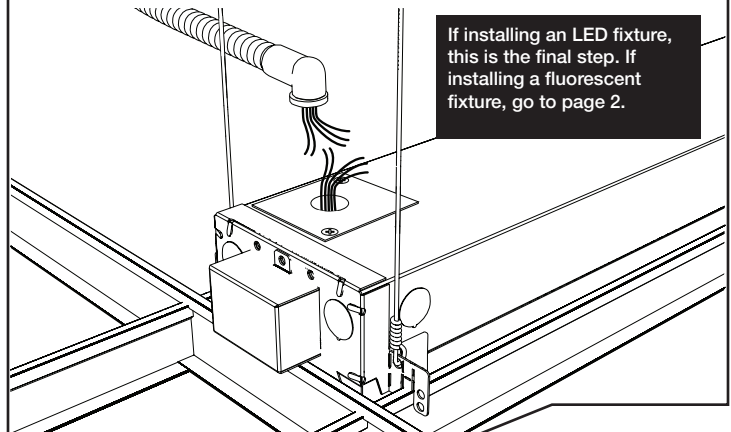
4. Bend all four side tabs out and secure fixture to grid.



5. After securing fixture tabs to grid frame, use holes in tabs to tie fixture back to structure at all four corners or per local code.



6. Make appropriate wire connections adhering to local electrical code.



If installing an LED fixture, this is the final step. If installing a fluorescent fixture, go to page 2.

Class R6 Fluorescent

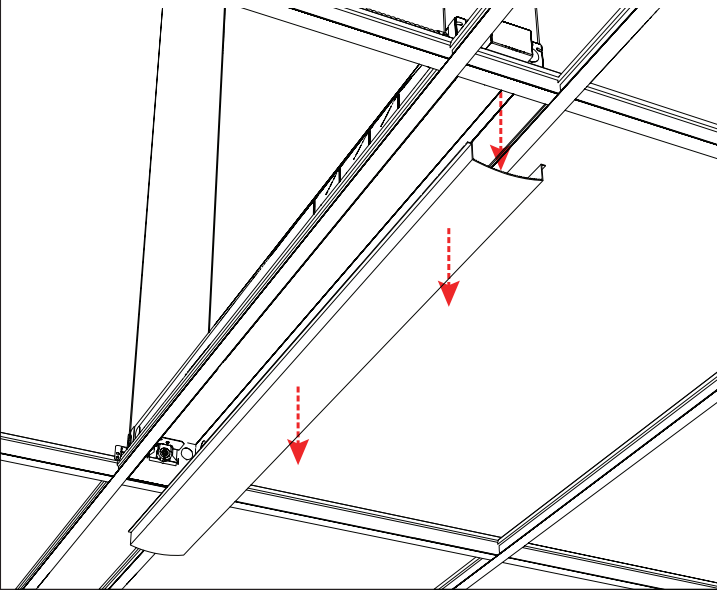
WARNINGS

- 1). **WARNING!** Risk of Electric Shock. Disconnect power at fuse or circuit breaker before installing or servicing.
- 2). **WARNING!** - Risk of Fire/Electric Shock. If not qualified, consult an electrician.
- 3). **WARNING!** - Risk of fire or electric shock. Luminaires wiring, ballasts, or other electrical parts may be damaged when drilling for installation of reflector kit hardware. Check for enclosed wiring and components.
- 4). **WARNING!** - Avoid contact with LED modules.

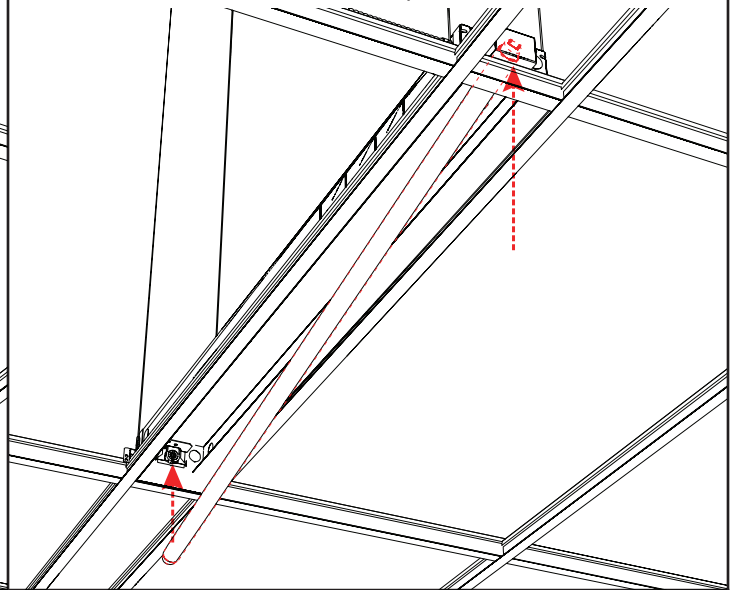
NOTES

- 1). **NOTE!** - This product must be installed in accordance with the applicable installation code by a certified electrician, familiar with the construction and operation of the product and hazards involved.
- 2). **NOTE!** - Only those open holes indicated in the photographs and/or drawings may be made or altered as a result of kit installation. Do not leave any other open holes in an enclosure of wiring or electrical components.
- 3). **NOTE!** - To prevent wiring damage or abrasion, do not expose wiring to edges of sheet metal or any sharp objects.
- 4). **NOTE!** - Disconnect all power before proceeding.
- 5). **NOTE!** - "Doghouse" component on end of fixture is intended for T8 lamping only. A maximum of (8) fixtures can be mounted in a continuous row with each "Doghouse" facing the opposite direction starting from the center of the run.

1. Remove lens.



2. Insert T5 or T8 fluorescent lamp into the fixture. For T8 lamping, install one end of the lamp into the socket inside the "doghouse" compartment first. Then install the other end and make sure the lamp is secure.



3. Replace the lens.

