

## Installation Instructions – Corelite CL Gypsum Installation - FG

### **WARNING**



**Risk of Fire and Electric Shock-** Make certain power is OFF before starting installation or attempting any maintenance. Disconnect power at fuse or circuit breaker.

**Risk of Fire-** Minimum 90°C supply conductors.



**Risk of Fire and Electric Shock-** Installation and maintenance of this product must be performed by a qualified electrician. This product must be installed in accordance with the applicable installation code by a person familiar with the construction and operation of the product and hazards involved.



**Risk of Burn-** Disconnect power and allow fixture to cool before handling or servicing.



**Risk of Personal Injury-** Due to sharp edges, handle with care. Use personal protective equipment.

Failure to comply with these instructions may result in death, serious bodily injury and property damage.

**DISCLAIMER OF LIABILITY:** Cooper Lighting Solutions assumes no liability for damages or losses of any kind that may arise from the improper, careless, or negligent handling and installation of this product.

**IMPORTANT:** Read carefully before installing fixture. Retain for future reference.

**NOTICE:** Green ground screw provided in proper location. Do not relocate.

**NOTICE:** Fixture may become damaged and/or unstable if not installed properly.

**NOTICE:** Specifications and dimensions subject to change without notice.

**ATTENTION Receiving Department:** Note actual fixture description of any shortage or noticeable damage on delivery receipt. File claim for common carrier (LTL) directly with carrier. Claims for concealed damage must be filed within 15 days of delivery. All damaged material, complete with original packing must be retained.

# Installation Instructions

## Corelite CL Series (2" & 4" Housing Size)

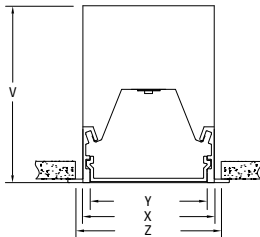
Individual and Continuous Luminaires  
For Installation in Gypsum Ceilings

**⚠** Before starting any work, ensure that all power sources are turned off. All work must meet local/national electrical codes and be performed by a certified electrician.

### Parts List

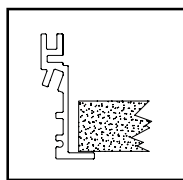
- Luminaire
- Grid Bracket/Joiner (pre-installed in fixture)
- Access Plate (pre-installed in housing)
- Support Wire/Threaded Rod (by others)
- Shielded Cable (by others)
- Push-in Quick Connects or Wire Nuts (pre-installed)
- Alignment Pins (pre-installed) (Continuous runs only)
- #8-18 3/4" T10 Torx Head Screws (Continuous runs only)
- 9/64" Allen Wrench (by others)
- 11/32" Flexible Nut Driver (by others)
- T10 Torx Driver (by others, continuous runs only)
- #2 Phillips Screwdriver (by others)
- Lens Removal Tool

### Cross Section and Spacing Details

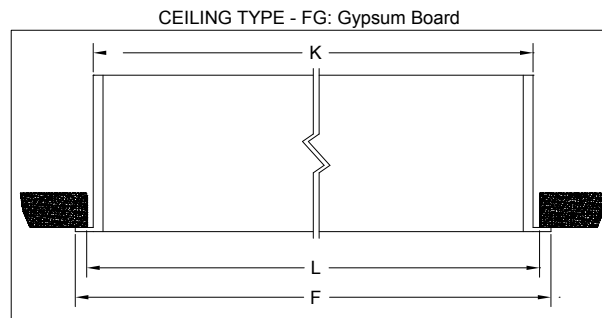


CL Cross Section Dimensions				
Gypsum - FG	V (Flush)	X	Y	Z
CL2	3.625	2.000	1.680	<b>2.250</b>
CL4	4.625	4.000	3.680	<b>4.250</b>

### Mounting Information - Extruded Trim Flange and Length Details - Refer to submittal drawings for detailed flange information

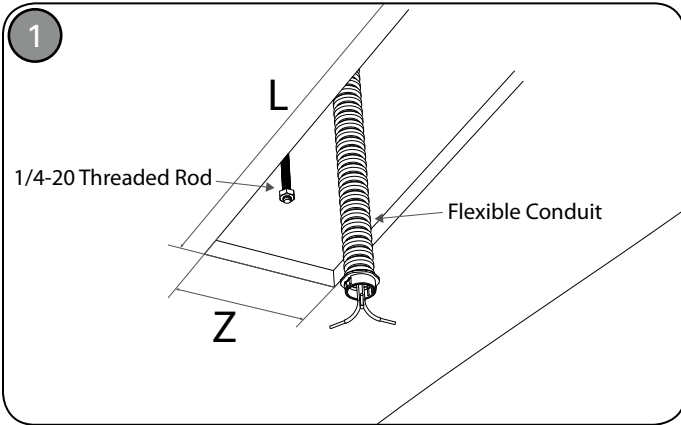


**FG - Flanged**  
Gypsum  
Board

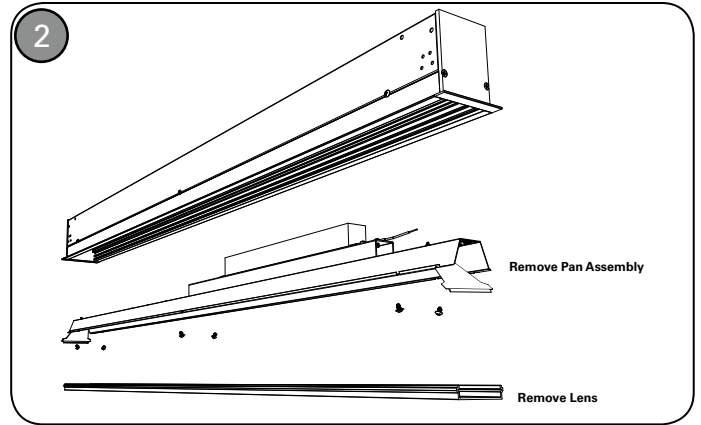


FG Length			
Nominal Length	K - Body	L - Cutout	F - Flange to Flange
4 ft.	47.000	<b>47.250</b>	47.688
8 ft.	95.000	<b>95.250</b>	95.688
12 ft.	143.000	<b>143.250</b>	143.688
XXX ft.	xxx ft. - 1"	<b>xxx ft. - 0.75"</b>	xxx ft. - 0.312"

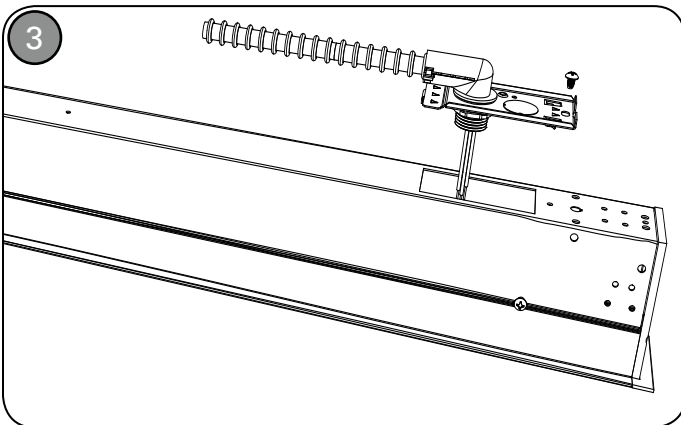
Note: - Actual dimensions and cutout length varies from Nominal Length as shown in the FG Length Table.



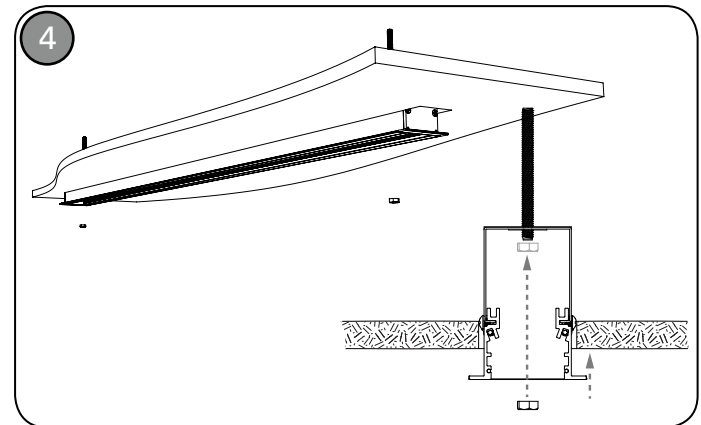
Prior to drywall installation: Install shielded cable to accommodate electrical feed point on first fixture. Install 1/4-20 tie rods in specified locations as shown on factory submittal drawings. Cut hole in gypsum board (or other substrate) as specified on factory submittal drawing (dimensions "Z" & "L").



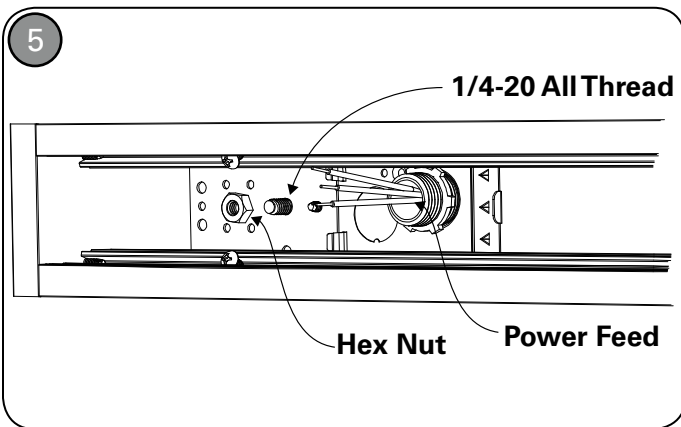
Prior to installing fixture: Remove top access plate. Turn fixture over and remove lens using lens removal tool per lens instruction provided. Remove screws and carefully lift LED tray assembly from housing frame. Disconnect wire-harness quick connects and store pan assembly in a safe place. Lens diffusers do not need to be removed from pan assembly. Repeat for each LEDTray.



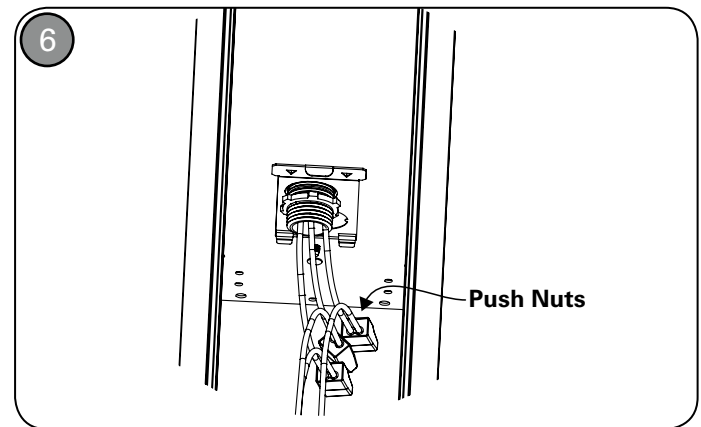
Secure shielded cable to access plate. Reinstall access plate pulling wiring through housing and lift fixture into cutout.



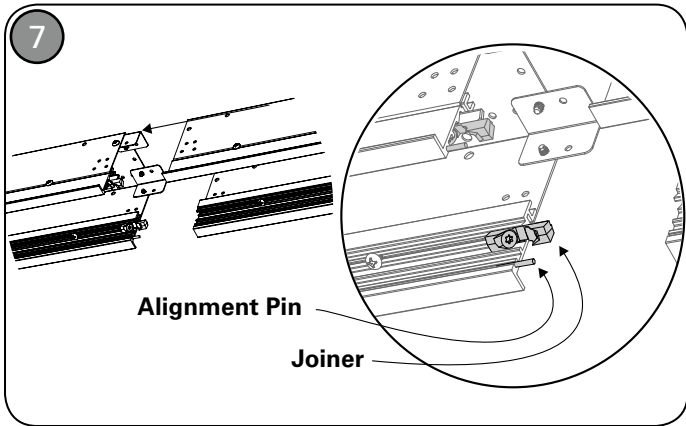
Draw fixture tight to ceiling using 1/4" tie rods through the appropriate knockouts on fixture housing. Tighten nuts until flange is snug with ceiling.



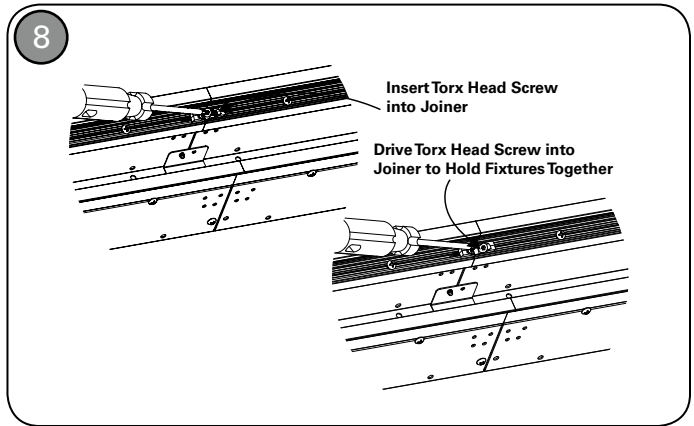
Wiring should enter fixture housing as shown. Tie rods extend into housing and are secured with nuts. Ensure threaded rod does not interfere with LED tray assembly. Trim threaded rod if necessary.



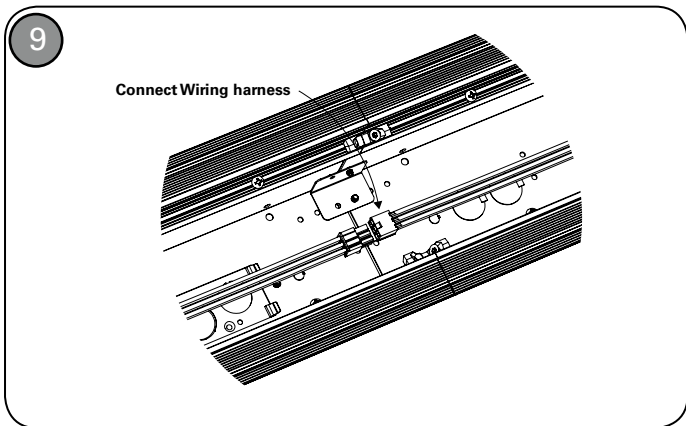
Connect feed wiring to fixture through wiring via push-in quick connects or wire nuts.



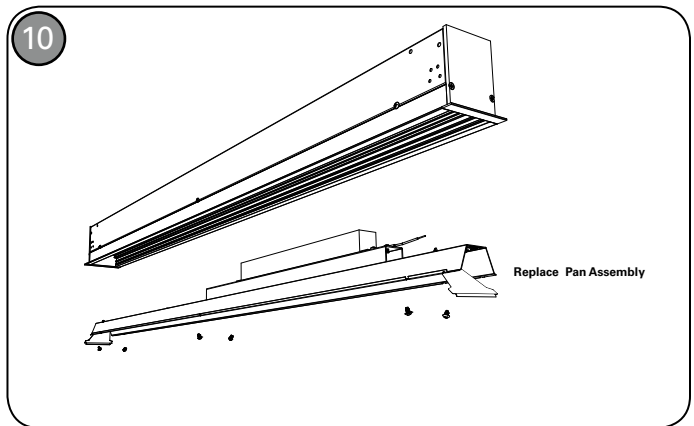
FOR CONTINUOUS ROWS: Repeat step 2 to prepare fixture. Slide fixtures together ensuring alignment pins are in the correct position.



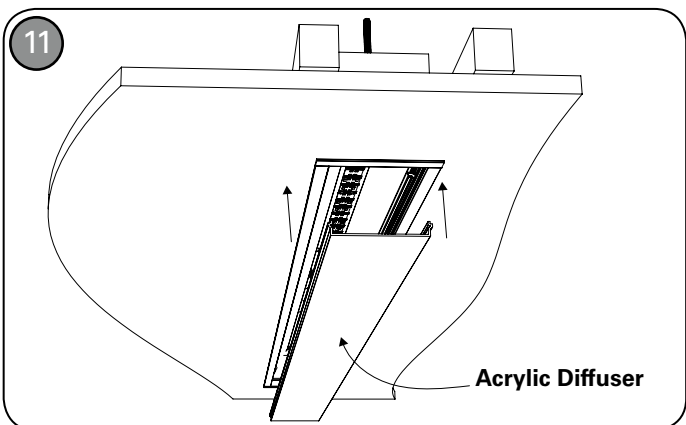
FOR CONTINUOUS ROWS: Insert torx head into joiner and drive screw into housing to hold fixtures together. Ensure there are no gaps between fixtures and joint is secure.



Make appropriate wire connections between fixture housings using provided push in connectors.

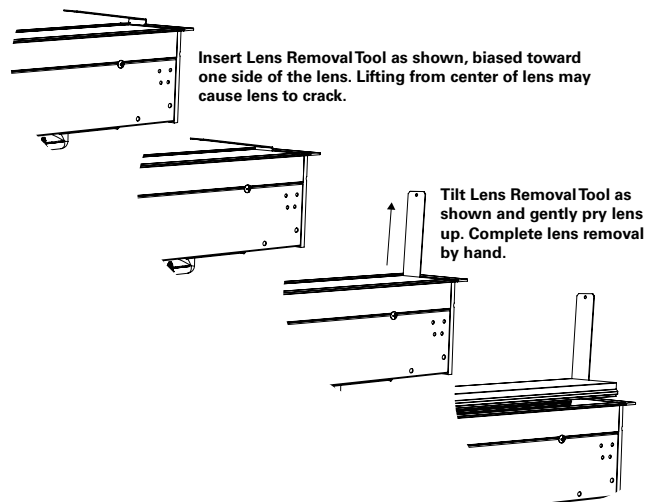


With fixture securely secured in opening, reconnect the first tray assembly to the power feed. Carefully tuck all wiring back into fixture. Reinstall screws to secure tray assembly back into housing. Continue reinstalling additional LED tray assemblies in the same manner using the quick disconnects pre-installed on the LED tray.



Reinstall acrylic diffuser by squeezing one end, inserting that end into the fixture opening and slowly pressing the diffuser into the housing along the length of the lens until it snaps into place. For continuous runs, ensure seams of adjacent lenses are touching to avoid light leak. Diffuser film should not require re-installation, however, if required, insert tabs into the slots of the LED tray assembly with the shiny side facing toward the LED array. Installation is complete.

#### Lens Removal



## Warranties and Limitation of Liability

Please refer to [www.cooperlighting.com](http://www.cooperlighting.com) for our terms and conditions.

## Garanties et limitation de responsabilité

Veuillez consulter le site [www.cooperlighting.com](http://www.cooperlighting.com) pour obtenir les conditions générales.

## Garantías y Limitación de Responsabilidad

Visite [www.cooperlighting.com](http://www.cooperlighting.com) para conocer nuestros términos y condiciones.

**Cooper Lighting Solutions**  
1121 Highway 74 South  
Peachtree City, GA 30269  
P: 770-486-4800  
[www.cooperlighting.com](http://www.cooperlighting.com)

© 2020 Cooper Lighting Solutions  
All Rights Reserved  
Printed in USA

Imprimé aux États-Unis  
Impreso en los EE. UU.  
Publication No. IL525018EN  
November 12, 2018

Cooper Lighting Solutions is a registered trademark. All trademarks are property of their respective owners.

Cooper Lighting Solutions est une marque de commerce déposée. Toutes les autres marques de commerce sont la propriété de leur propriétaire respectif.

Cooper Lighting Solutions es una marca comercial registrada. Todas las marcas comerciales son propiedad de sus respectivos propietarios.

Product availability, specifications, and compliances are subject to change without notice

La disponibilité du produit, les spécifications et les conformités peuvent être modifiées sans préavis

La disponibilidad de productos, las especificaciones y los cumplimientos están sujetos a cambio sin previo aviso