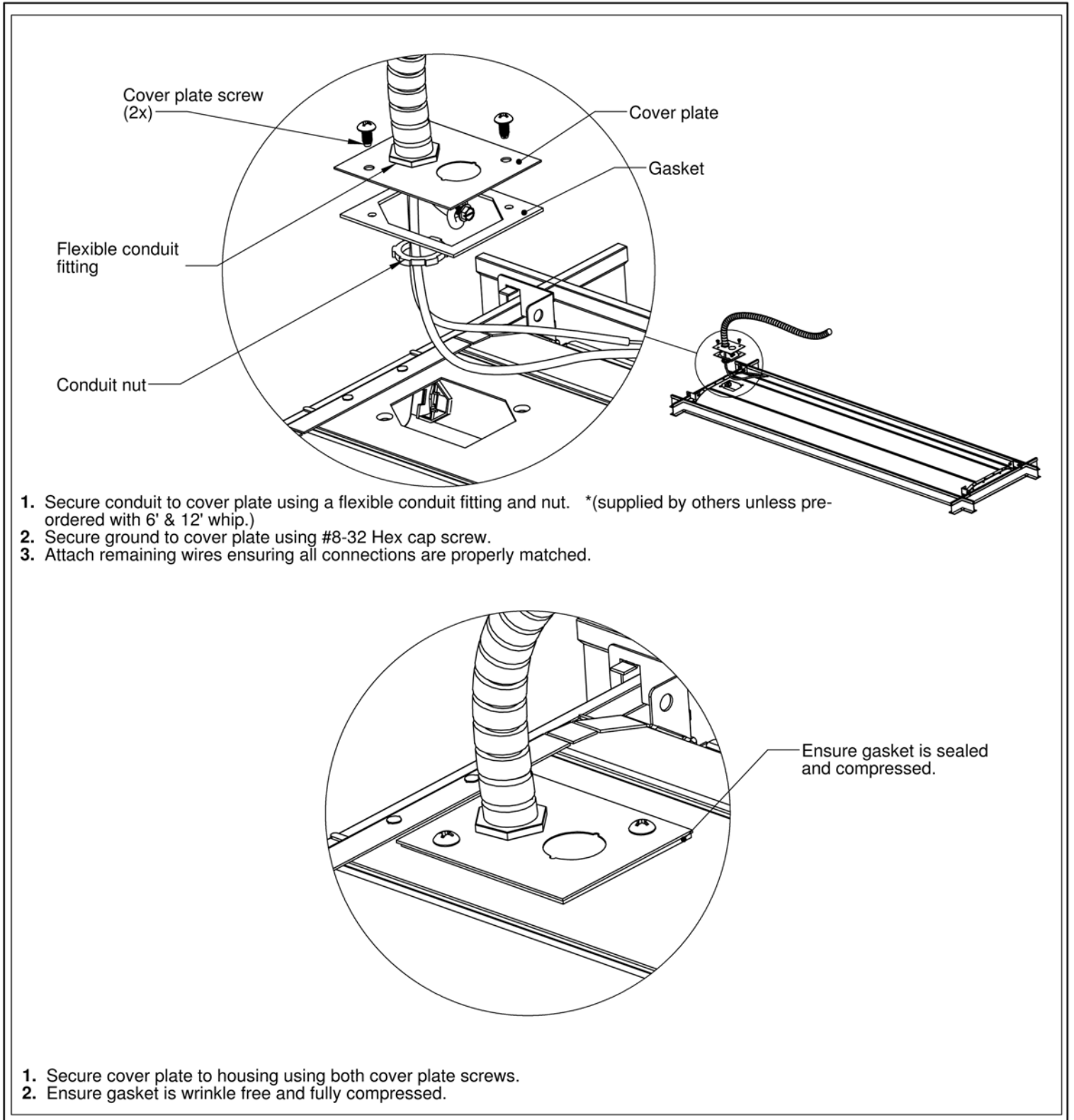


Chicago Plenum/ Gasketed Electrical Cover Plate

This instruction is valid for all R1 and R2 ultra shallow recessed fixtures

Warning: Before starting any work ensure that all sources of power are turned off. All work must meet local/national codes and be performed by a certified electrician. **Do not** mount fixtures vertically.



1. Secure conduit to cover plate using a flexible conduit fitting and nut. *(supplied by others unless pre-ordered with 6' & 12' whip.)
2. Secure ground to cover plate using #8-32 Hex cap screw.
3. Attach remaining wires ensuring all connections are properly matched.

1. Secure cover plate to housing using both cover plate screws.
2. Ensure gasket is wrinkle free and fully compressed.