

Corelite luminaires are precision tooled for simple trouble free contractor installation. Standard aircraft cable connects directly to a 1/4-20 stud at all mounts. Suspension points are 4'-0", 8'-0" or 12'-0" on center. Standard drop lengths are 12", 15", 18", 21", 24" & 27". Optional cable adjuster (AC48, AC120, AC240) can be specified to accommodate infinite adjustment from 1" to 360".

JUNCTION BOX CEILING INTERFACE (Connection at ceiling)

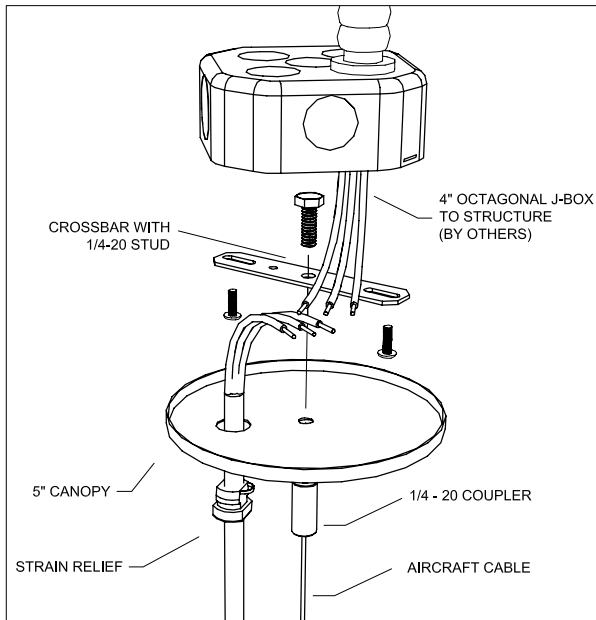
Aircraft Cable Mounting

AC-_-JB

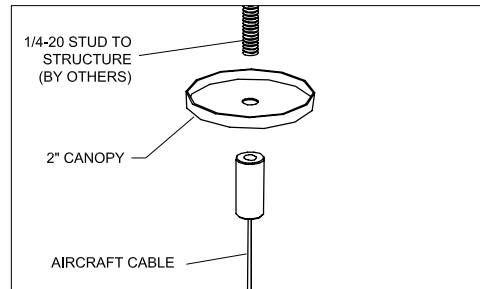
MOUNT DETAILS

*FOR ALL CORELITE SUSPENDED LUMINAIRES

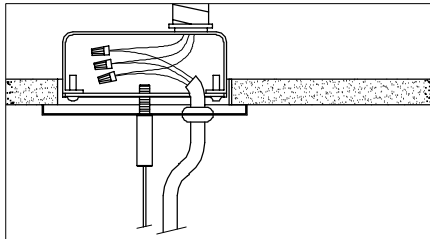
POWER



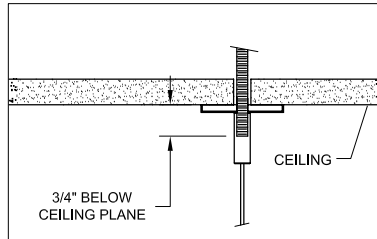
NON-POWER



POWER (2-D)



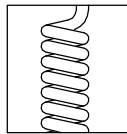
NON-POWER (2-D)



CONNECTION AT CEILING

OPTIONS

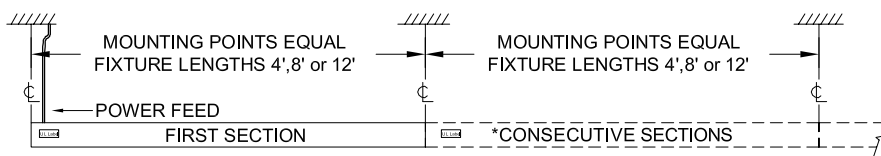
1. Layout mounting locations.
2. Ensure that power feed is at the UL end of the fixture.
Power feed: to be installed to local/national electrical codes by a Certified Electrician.
3. Install 1/4-20 crossbar to the junction box.
4. Feed power cables through canopy and install strain relief.
5. Connect power cable in junction box, ensuring all connections are properly matched.
6. Place canopy over 1/4-20 stud and attach aircraft cable.



Curly Cord (AK):
SJT - 18/3 or SJT - 18/4
Curly Cord

MOUNTS LOCATIONS

AIRCRAFT CABLES SIT IN .368" FROM THE END OF THE FIXTURE.



*For continuous rows see joining sheet.

Not all options available. Please consult your Cooper Lighting Representative for availability. Specifications and Dimensions subject to change without notice.