

## DESCRIPTION

The Bridge™ LED recessed offers a traditional yet modern design with the latest in solid-state lighting technology. High performing WaveStream™ optics allow for maximum energy savings and optimal illumination in an ultra-minimalistic shallow recessed fixture. Two WaveStream optic options are available; a fully uniform pattern and a square pattern that provides a unique translucent appearance without sacrificing performance. Additional shielding options are also available including rectangular perf, round perf, and nano-prism inlays. Available in 2x2, 2x4, 1x4 sizes along with several popular metric sizes, the Bridge is highly configurable with well-thought-out options and a number of architectural styles for application versatility.

## SPECIFICATION FEATURES

### Construction

Shallow 100mm deep housing is a 22 gauge steel reflector with injection molded high-reflectance polycarbonate end plates securely attached with integral snaps and screws for strength, rigidity and the elimination of gaps. WaveStream light engine with extruded aluminum heatsinks span across the bottom of the luminaire. Drivers can be accessed via plenum. Large access plate for supply connection. Fixture weight: 22.0 lbs (10 kg).

### Optics

Optical grade acrylic embedded with patented WaveStream Accu-Aim™ optics for optimal

distribution, excellent uniformity, and high performance. Center light engine becomes virtually clear in the off-state.

### Shielding

Perf pattern and nano-prismatic inlays are available as additional aesthetic options. Perf inlay available in round or rectangular pattern. Nano-prismatic inlay is a high light transmission material offering additional brightness mitigation.

### Finish

Fixture housing and back reflector are high reflectance white using electrostatically applied polyester

powder coat paint for durability and luminous uniformity.

### Electrical

Long-life LED system coupled with electrical driver to deliver optimal performance. Projected life is 100,000 at 75% lumen output. LEDs are available in 3000K, 3500K or 4000K with a typical CRI ≥ 85. Standard drivers are 0-10 volt continuous dimming that work with any 0-10V control/dimmer. Or, specify Digital Addressable Lighting Interface (DALI) drivers; for use with Fifth Light controls. See ordering information for details.

### Mounting

Integral pry-out tabs secure luminaire to ceiling grid from above. Fixture offers tie-in locations for tie-wire on all corners. Consult local code for appropriate tie-wire recommendations.

### Compliance

Components are UL recognized and luminaires are cULus listed for 25°C ambient environments, damp location listed, and RoHS compliant. Options to meet Buy American and other domestic preference requirements

### Warranty

Five-year warranty.



## BRIDGE - BRG

Fully Uniform

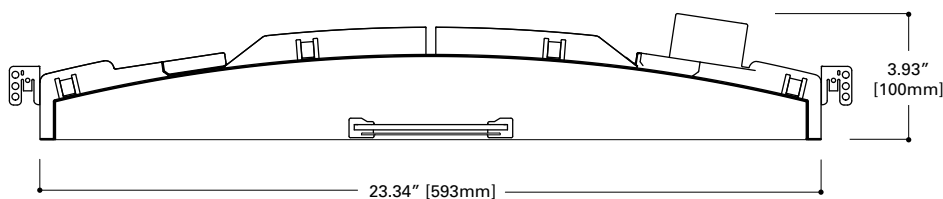
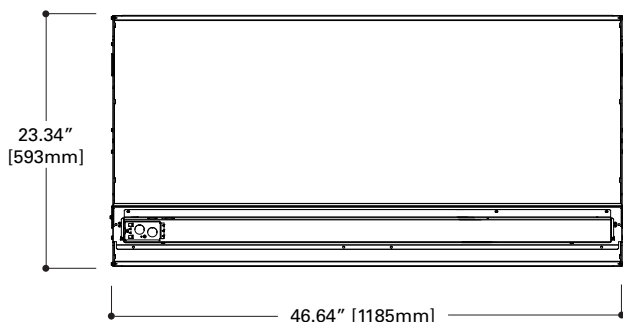
### WaveStream™ LED

600mm x 1200mm Recessed  
100mm Depth

CERTIFICATION DATA  
cULus - 1598  
Damp Location Listed  
IC Rated  
LM79/LM80 Compliant  
ROHS Compliant

### LumaWatt Pro

Wireless sensing & control system | **enlighted**



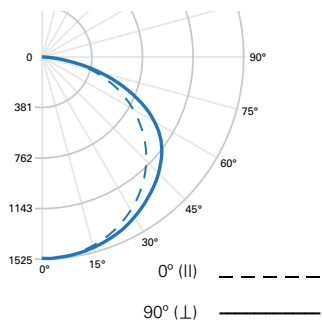
## ORDERING INFORMATION

Sample Number: BRG-WS-3L35-LD2-UNV-612-T1-STD-SVPD1-EL14W-AR

Domestic Preferences <sup>(16)</sup>		Series <sup>(1)</sup>	Optics/Shielding	Light Level (Nominal delivered lumens)	Color Temperature	LED Version	Input Voltage
[Blank] = Standard BAA = Buy American Act TAA = Trade Agreements Act		BRG = Bridge Recessed	WS = WaveStream Full Pattern WD = WaveStream with Round Perf Inlay WG = WaveStream with Rectangular Perf Inlay WN = WaveStream with Nano Prism Perf Inlay	1 = Light Level 1 (3000 Lms, 27W) 2 = Light Level 2 (4000 Lms, 39W) 3 = Light Level 3 (5000 Lms, 47W) 4 = Light Level 4 (6000 Lms, 58W) 5 = Light Level 5 (7000 Lms, 70W)	L30 = LED 3000K L35 = LED 3500K L40 = LED 4000K	LD2 = LED 2.0	UNV = Universal (120V-277V) 347 = 347V <sup>(2)(9)</sup>
Size	Ceiling Type	Driver Type		Integral Sensor (Optional)	Emergency (Optional)		Options
612 = 600mm x 1200mm	T1 = 1" T-Bar <sup>(3)</sup>	STD = Standard 0-10V (10%-100%) HCD = 0-10V (1%-100%) <sup>(6)</sup> STP = Step Dimming (Bi-Level, 40%) <sup>(5)(7)</sup> 5LT = Fifth Light DALI (10%-100%) <sup>(4)</sup> 5LTHD = Fifth Light DALI (1%-100%) <sup>(4)(8)</sup> SR = Sensor Ready (5%-100%)		SVPD1 = Integrated Occupancy/Daylight Sensor for Local Control <sup>(10)(15)</sup> SWPD1 = WaveLinx Wireless Integral Sensor <sup>(11)(15)</sup> LWIPD1 = Lumawatt Pro Wireless Integral Sensor <sup>(12)(15)</sup>	EL14W = 14-watt 120V-277V Integral EM Battery Pack <sup>(13)</sup> RRU = UL924 Bypass Relay <sup>(14)</sup>		AR = Air Return CE = CE Marking W6 = 6' Whip Flex W12 = 12' Whip Flex

See page 3 for technical notes

PHOTOMETRICS



FILE NAME: BRG-WS-3L35-LD2-UNV-612-STD.IES

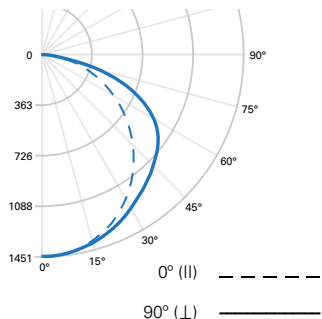
LAMP: (LD2) LED 3500K  
LUMENS: 5103 Lm  
WATTS: 47.2 W  
EFFICACY: 108 Lm/W  
SC: (II) 1.31, (I) 1.37

ZONAL LUMENS SUMMARY

Zone	Lumens	% Fixture
0°-30°	1198	23.5
0°-40°	2007	39.3
0°-60°	3781	74.1
0°-90°	5103	100

LUMINANCE DATA (cd/m²)

Vertical Angle	0°	45°	90°
45°	2415	2528	2698
55°	2435	2663	2932
65°	2434	2775	3024
75°	2315	2742	2713
85°	1682	1594	1446



FILE NAME: BRG-WG-3L35-LD2-UNV-612-STD.IES

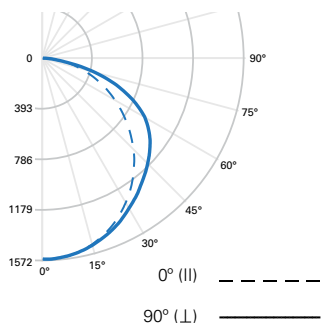
LAMP: (LD2) LED 3500K  
LUMENS: 4604 Lm  
WATTS: 47.2 W  
EFFICACY: 98 Lm/W  
SC: (II) 1.24, (I) 1.32

ZONAL LUMENS SUMMARY

Zone	Lumens	% Fixture
0°-30°	1113	24.2
0°-40°	1837	39.9
0°-60°	3398	73.8
0°-90°	4604	100

LUMINANCE DATA (cd/m²)

Vertical Angle	0°	45°	90°
45°	2015	2230	2452
55°	1915	2368	2731
65°	1789	2599	2921
75°	1630	2703	2604
85°	1387	1446	1299



FILE NAME: BRG-WN-3L35-LD2-UNV-612-STD.IES

LAMP: (LD2) LED 3500K  
LUMENS: 4761 Lm  
WATTS: 47.2 W  
EFFICACY: 101 Lm/W  
SC: (II) 1.29, (I) 1.29

ZONAL LUMENS SUMMARY

Zone	Lumens	% Fixture
0°-30°	1197	25.1
0°-40°	1966	41.3
0°-60°	3578	75.1
0°-90°	4761	100

LUMINANCE DATA (cd/m²)

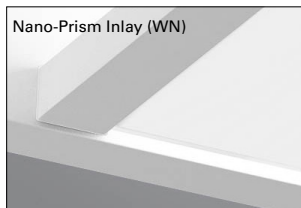
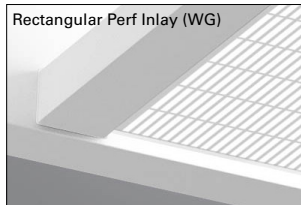
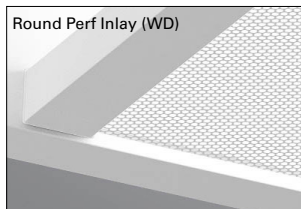
Vertical Angle	0°	45°	90°
45°	2168	2324	2510
55°	2049	2408	2708
65°	1929	2556	2824
75°	1739	2554	2425
85°	1476	1416	1209

Note: Round Perf (WD) photometric performance is similar to Rectangular Perf (WG). Reference IES-format photometry online for more detail.

LUMEN MAINTENANCE

Ambient Temperature	TM-21 Lumen Maintenance (100,000 hours)	Theoretical L70 (Hours)
25°C	>75%	125,000

INLAY OPTIONS



ENERGY AND PERFORMANCE DATA

600x1200 – Bridge Light Level Outputs and Distributions (3500K)				
Series	Light Level	Delivered Lumens	Wattage	Efficacy (LPW)
BRG-WS	1	3101	27.1	114
	2	4090	38.5	106
	3	5103	47.2	108
	4	6074	58.5	104
	5	7064	70.2	101
BRG-WD	1	2800	27.1	103
	2	3694	38.5	96
	3	4605	47.2	98
	4	5481	58.5	94
	5	6378	70.2	91
BRG-WG	1	2798	27.1	103
	2	3691	38.5	96
	3	4604	47.2	98
	4	5481	58.5	94
	5	6374	70.2	91
BRG-WN	1	2894	27.1	107
	2	3817	38.5	99
	3	4761	47.2	101
	4	5669	58.5	97
	5	6592	70.2	94

TECHNICAL NOTES

- Dimming wires come standard in all LED fixtures but can be capped in the field for standard switched operation.
- Integral 347V electronic driver with STD 0-10V option only. Factory supplied remote transformer for all other driver/dimming options.
- Only compatible with 15/16" (24mm) grid.
- Must be used in conjunction with a DALI control system. For a complete listing of Fifth LightTechnology products and other solutions from Cooper Lighting Solutions, visit [www.cooperlighting.com](http://www.cooperlighting.com)
- 600x1200: STP driver not available in Light Levels 1.
- 600x1200: Two HCD drivers required for Light Levels 4 and 5.
- 600x1200: Two STP drivers required for Light Level 5.
- 600x1200: Two 5LTHD drivers required for Light Levels 4 and 5.
- 600x1200: Two 347V 0-10V drivers required for Light Level 5.
- SV sensor works only with 0-10V drivers and is factory prewired to the driver for stand-alone control. Order part #ISHH-01 for Programming Remote and part #ISHH-02 for Personal Control Remote.
- SW sensor works only with STD and HCD 0-10V drivers. Designed for use with the WaveLinX Wireless Connected Lighting system. For complete WaveLinX wireless solutions, visit [www.cooperlighting.com](http://www.cooperlighting.com).
- LWI sensor option requires the use of the SR driver. Must be used in conjunction with a LumaWatt Pro control system. For complete LumaWatt Pro wireless solutions, visit [www.cooperlighting.com](http://www.cooperlighting.com).
- Integral emergency battery pack is 14W maximum, 90 minute output. A test switch/indicator button can be tested safely from the ground using a laser pointer, while the patented EZ Key prevents accidental discharge of the battery during construction. For approximate delivered lumens multiply the lumens per watt of the desired fixture by the wattage of the emergency battery pack (100 lm/W x 14=1400 lumens). Emergency battery pack not available with two driver configurations.
- Used to bypass local control and dimming for life safety operation. Product height with transfer device is 5" (126mm).
- When luminaire is on an emergency circuit, integrated sensors require the RRU Emergency Option to disable sensor control during emergency operation.
- Only product configurations with these designated prefixes are built to be compliant with the Buy American Act of 1933 (BAA) or Trade Agreements Act of 1979 (TAA), respectively. Please refer to [DOMESTIC PREFERENCES](http://www.cooperlighting.com) website for more information. Components shipped separately may be separately analyzed under domestic preference requirements.

**SVPD1 INTEGRATED SENSOR**

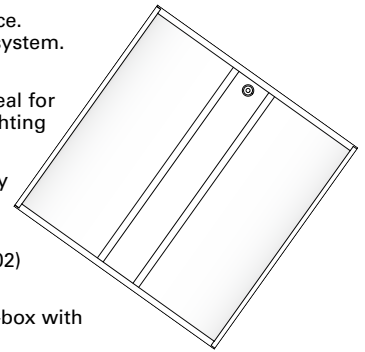
The Bridge with Integrated Sensor technology provides automatic energy savings without sacrificing performance. Traditionally, these types of energy savings required coordination between the luminaire and a lighting control system. The Bridge delivers superior lighting with integrated PIR occupancy and daylighting controls.

Capture the benefits of traditional lighting controls, without complicated coverage planning or special wiring. Ideal for new construction or retrofit, the Bridge delivers automatic ON to an energy saving light level, while ensuring lighting is turned OFF when the space is unoccupied.

The integral daylight sensor reduces the need for special daylight zone planning. The luminaire will automatically adjust the light level based on reflected light beneath the sensor in a closed loop method.

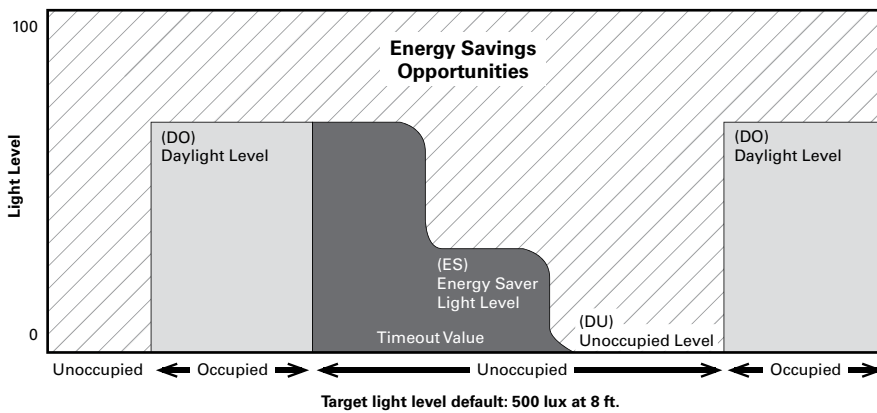
Occupied daylight light levels and unoccupied light levels can be adjusted using the integrated sensor programming remote (Catalog Number: ISHH-01). The integrated sensor personal remote (Catalog Number: ISHH-02) provides code compliant manual raise, lower, ON, OFF control.

The Bridge with Integrated Sensor is easy to install with no special wiring and ensures energy savings out-of-the-box with default control settings.

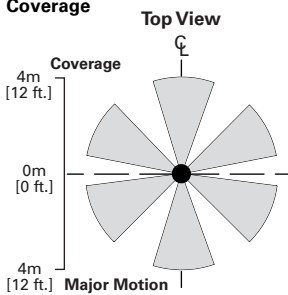


**How it works:**

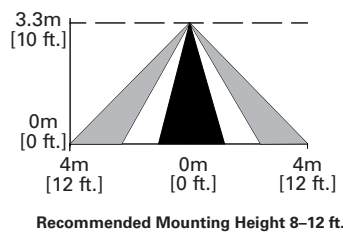
- As the user enters the space controlled by the integral sensor, the lighting turns ON to the daylight level (default 500 lux).
- Lighting will remain at the daylight level until the space is unoccupied. This will start the occupancy timeout period (default 20 minutes).
- If the space remains unoccupied for half of the timeout period, the lighting will automatically reduce to the Energy Saver light level. This adjustable light level is typically half of the occupied daylight level.
- At the end of the timeout period the lighting will go to the unoccupied light level. This adjustable light level uses the OFF default setting.



**Coverage**



**Side View**



**Optional Remote Controls**



**ISHH-01 Programming Remote**



**ISHH-02 Personal Control Remote**