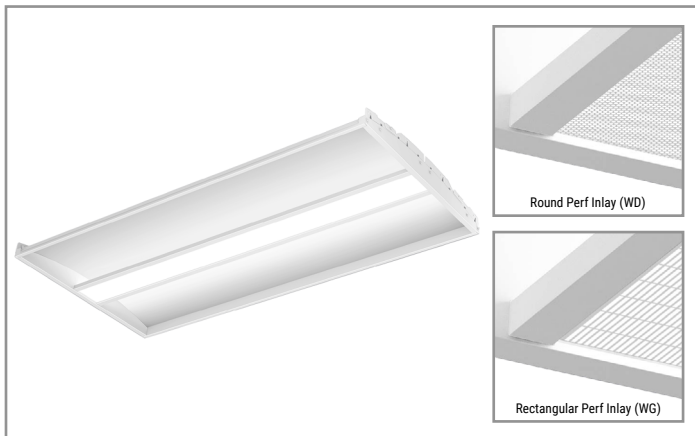


Project		Catalog #		Type	
Prepared by		Notes		Date	



Corelite

Bridge - BRG

Fully Uniform WaveStream™ LED
2' x 4' Recessed, 3-7/8" Depth

Typical Applications

- Commerical Office Spaces • Schools • Hospitals • Retail Merchandising Areas

Interactive Menu

- Order Information [page 2](#)
- Photometric Data [page 3](#)
- Energy and Performance Data [page 3](#)
- Connected Systems [page 4](#)
- Product Warranty

Product Certification



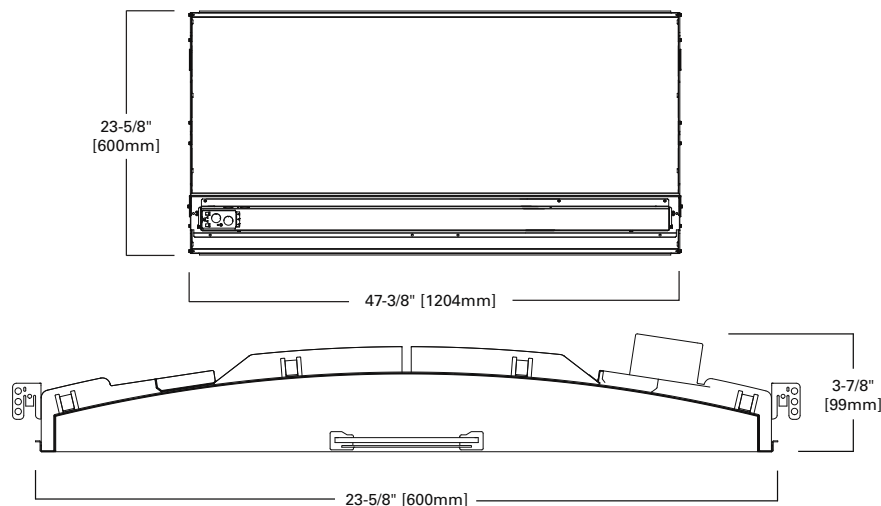
Product Features



Top Product Features

- A traditional yet modern design with the latest in solid-state lighting technology
- Leverages our patented WaveStream Technology with AccuAim™ optics
- Optimal illumination in a ultra-minimalistic shallow recessed fixture
- Customize the luminaire aesthetic with three optional shielding inlays
- Integrated sensor systems - occupancy, daylight and IoT connectivity
- Options to meet Buy American and other domestic preference requirements

Dimensions



[additional product diagrams](#)

Order Information

SAMPLE ORDER NUMBER: BRG-WS-3L35-LD2-UNV-24-T1-STD-SVPD1-EL14W-AR

Domestic Preferences	Series	Optics/Shielding	Light Level	Color Temperature	LED Version	Input Voltage
Domestic Preferences	Series ⁽¹⁾	Optics/Shielding	Light Level (2x4 Nominal delivered lumens)	Color Temperature	LED Version	Input Voltage
[Blank] =Standard BAA =Buy American Act TAA =Trade Agreements Act	BRG =Bridge Recessed	WS =WaveStream Fully Uniform WD =WaveStream with Round Perf Inlay WG =WaveStream with Rectangular Perf Inlay WN =WaveStream with Nano-Prism Perf Inlay	1 =Light Level 1 (3000 Lms, 27W) 2 =Light Level 2 (4000 Lms, 39W) 3 =Light Level 3 (5000 Lms, 47W) 4 =Light Level 4 (6000 Lms, 59W) 5 =Light Level 5 (7000 Lms, 70W)	L30 =LED 3000K, 80+ CRI L35 =LED 3500K, 80+ CRI L40 =LED 4000K, 80+ CRI	LD2 =LED 2.0	UNV =Universal (120V-277V) 347 =347V ⁽²⁾ 48V =48V Low-voltage (Class 2)
Notes Only product configurations with these designated prefixes are built to be compliant with the Buy American Act of 1933 (BAA) or Trade Agreements Act of 1979 (TAA), respectively. Please refer to DOMESTIC PREFERENCES website for more information. Components shipped separately may be separately analyzed under domestic preference requirements.	Notes	Notes	Notes	Notes	Notes	Notes ⁽²⁾ Integral 347V electronic driver with STD 0-10V option only. Factory supplied remote transformer for all other driver/dimming options.

Size	Ceiling Type	Driver Type	Integral Sensor	Emergency	Options
Size	Ceiling Type	Driver Type	Integral Sensor	Emergency	Options
24=2'x4'	T1=1" T-Bar, Slot Grid, and 9/16" Tegular ⁽³⁾ T9=9/16" T-Bar (Flush)	STD =Standard 0-10V (1%-100%) SR =Sensor-ready for LWIPD1 (1%-100%) SLT =Fifth Light DALI (5%-100%) LV1 =DLVP (0%-100%) STP =Step Dimming (Bi-Level, 50%) LH =Lutron HiLume 1% EcoSystems (LDE1)	[Blank] =No Sensor WAA =WaveLinX Wireless Integrated Sensor ^(A) WAB =WaveLinX Lite Wireless Integrated Sensor ^(B) WLA =Low-voltage Integrated Sensor ^(C) SVPD1 =0-10V Stand-alone Integrated Sensor ^(D)	EL14W =14-watt 120V-277V Integral EM Battery Pack ⁽¹²⁾ GTD2 =Bodine Generator Transfer Device ⁽¹³⁾	AR =Air Return CP =Chicago Plenum ⁽¹⁴⁾ W6 =6" Whip Flex W12 =12" Whip Flex
Notes	Notes ⁽³⁾ "T1" ceiling type is compatible with Metalux DF Series Drywall Frame Kits and Metalux Universal Surface Mount Kits, ordered separately from Metalux. For 1x4 drywall frame kit, order part #DF-14-W. For 1x4 surface mount kit, order part #SK-14-WT. Refer to the surface mount kit specification sheet for more information.	Notes ⁽⁵⁾ 1x4: STP driver not available in Light Levels 1 and 2. ⁽⁶⁾ 1x4: Two HCD drivers required for Light Level 5. ⁽⁷⁾ 1x4: Two SLTHD drivers required for Light Level 5. ⁽⁸⁾ 1x4: Two STP drivers required for Light Level 5.	Notes Integrated options must be used in conjunction with the associated system and may not be compatible with other options accessories. Please refer to the following: (A) Consult WaveLinX system pages for additional details and compatibility. (B) WaveLinX Lite devices are not currently compatible with the WaveLinX Wireless Area Controller. Consult WaveLinX Lite system pages for additional details and compatibility. (C) Consult DLVP system pages for additional details and compatibility. (D) Consult SVPD series system pages for additional details and compatibility.	Notes ⁽¹²⁾ Integral emergency battery pack is 14W maximum, 90 minute output. A test switch/indicator button can be tested safely from the ground using a laser pointer, while the patented EZ Key prevents accidental discharge of the battery during construction. For approximate delivered lumens multiply the lumens per watt of the desired fixture by the wattage of the emergency battery pack (100 lm/W x 14=1400 lumens). Emergency battery pack not available with two driver configurations. ⁽¹³⁾ Used to transfer fixture to secondary power source for life-safety operation. When used with a dimming fixture, two devices are required to ensure control is disabled while operating under emergency power. Product height with transfer device is 5" (126mm).	Notes ⁽¹⁴⁾ Chicago plenum not available with GTD.

Product Specifications

Construction

- Shallow 3-7/8" deep housing is a 22 gauge steel
- Injection molded high-reflectance polycarbonate end plates securely attached
- WaveStream light engine with extruded aluminum heatsinks span across the bottom of the luminaire
- Drivers can be accessed via plenum
- Large access plate for supply connection

Optics

- Optical grade acrylic embedded with patented WaveStream Accu-Aim™ optics
- Optimal distribution, excellent uniformity, and high performance
- Center light engine becomes virtually clear in the off-state

Shielding

- Perf pattern and nano-prismatic inlays are available
- Perf inlay available in round or rectangular pattern
- Nano-prismatic inlay is a high light transmission material offering additional brightness mitigation

Finish

- Fixture housing and back reflector are high reflectance white

- Electrostatically applied polyester powder coat paint for durability and luminous uniformity
- Injection molded end plates are color matched

LED and Light Engine

- LED's are available in 3000K, 3500K, 4000K
- Long-life LED system coupled with electrical driver to deliver optimal performance
- Projected life is 100,000 at 75% lumen output
- Typical CRI ≥ 85

Integrated Controls

- 0-10V dimming to 1% standard
- WaveLinX wireless sensor compatible for standalone, controlled, connected, and IoT capability
- SVPD sensor compatible for standalone functionality
- Low-voltage sensor and driver compatible for DLVP applications
- DALI 2.0, Lutron, and step-dimming available

Mounting

- Universal flange design works with most lay-in ceiling types
- Integral pry-out tabs secure luminaire to ceiling grid from above

- Fixture offers tie-in locations for tie-wire on all corners
- Consult local code for appropriate tie-wire recommendations
- See Technical Notes section for drywall frame kit and surface mount kit options

Weight

- 20.0 lbs.

Compliance

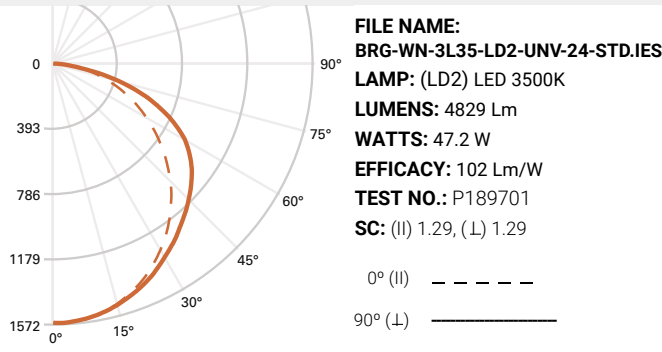
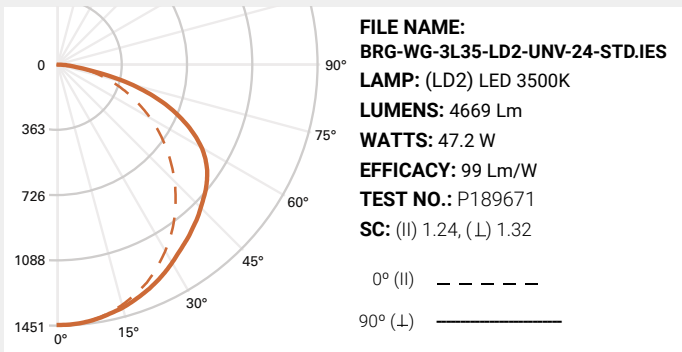
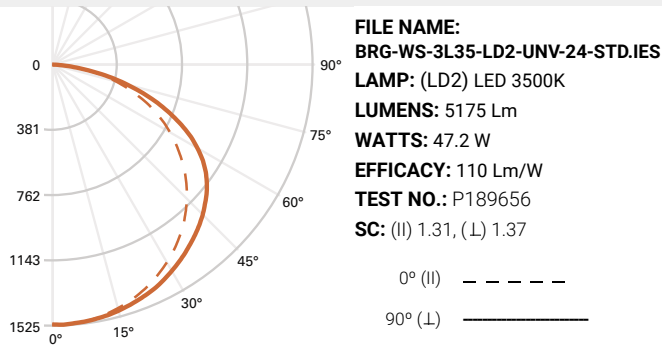
- IC rated for insulation contact
- cULus listed for damp locations
- RoHS compliant
- Tested to IESNA LM-79 and LM-80
- Stated life per TM21 standards
- Can be used for State of California Title 24 high efficacy luminaire

Warranty

- Five year warranty standard. Optional ten year warranty available.

Photometric Data

[View IES files](#)



Note: Refer to IES files for more product data.

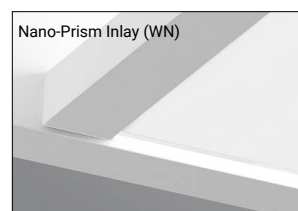
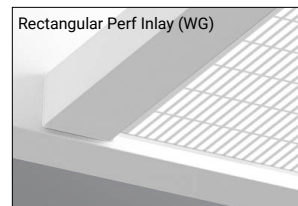
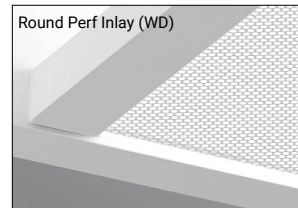
Energy and Performance Data

2x4 – Bridge Light Level Outputs and Distributions (3500K)				
Series	Light Level	Delivered Lumens	Wattage	Efficacy (LPW)
BRG-WS	1	3145	27.1	116
	2	4148	38.5	108
	3	5175	47.2	110
	4	6160	58.5	105
	5	7164	70.2	102
BRG-WD	1	2840	27.1	105
	2	3746	38.5	97
	3	4670	47.2	99
	4	5559	58.5	95
	5	6469	70.2	92
BRG-WG	1	2838	27.1	105
	2	3743	38.5	97
	3	4669	47.2	99
	4	5559	58.5	95
	5	6465	70.2	92
BRG-WN	1	2935	27.1	108
	2	3871	38.5	100
	3	4829	47.2	102
	4	5749	58.5	98
	5	6686	70.2	95

Lumen Maintenance

Ambient Temperature	TM-21 Lumen Maintenance (100,000 hours)	Theoretical L70 (Hours)
25°C	>80%	125,000

Inlay Options



Control Systems

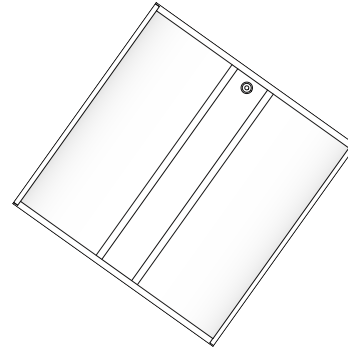
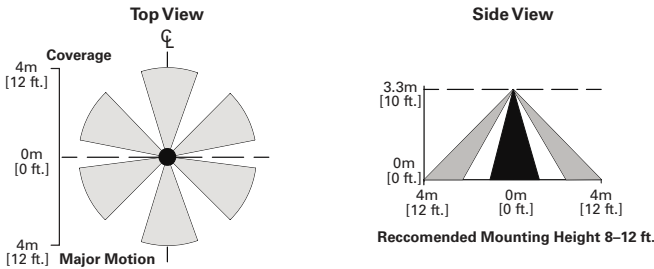
- WaveLinx Wireless
- WaveLinx Wired
- WaveLinx Lite
- DVLP



The Bridge BRG with Integrated Sensor technology provides automatic energy savings without sacrificing performance. The Bridge BRG delivers superior lighting with integrated occupancy and daylighting controls.

For standalone and controlled applications, the WaveLinx Lite integral sensor provides out-of-the-box functionality with no gateways required and factory startup is not needed. When more connectivity is required, the WaveLinx Wireless sensor meets modern code and utility requirements, delivers energy and cost savings, while enabling buildings to become smart buildings.

The WaveLinx Wireless Connected Lighting System combined with Trellix provides an open IoT platform and infrastructure that connects intelligent sensors leveraging the real-estate of the physical light fixture to solve higher complexity problems to deliver actionable insights through the aggregation of valuable data.



Systems comparison chart

Cooper Lighting Solutions provides many lighting system solutions designed to satisfy code requirements and meet the unique needs of any project.



	Standalone	Controlled WaveLinx Lite	Connected WaveLinx Wireless	Enterprise Trellix
Occupancy	Yes	Yes	Yes	Yes
Daylighting	Yes	Yes	Yes	Yes
Gateways	-	-	1 WAC	300 WACs
Devices	-	50 per Area (1400 per site)	150 per WAC	45,000 per Core Enterprise
Software	-	WaveLinx Lite Mobile App	WaveLinx Mobile App	Trellix Core
Areas	-	28 per Site	16 per WAC	up to 4,800
Zones	-	16 per Area	16 per Area	up to 76,800
Scheduling	-	-	Local	Global
VividTune™	-	-	Yes	Yes
Plug-Load Control	-	-	Yes	Yes
Integration	-	-	-	BACnet, API
Dashboards	-	-	-	Energy, Occupancy
Configuration	-	Installer	Technician	Technician / IT

SCALABILITY

