

INVUE™ INSTALLATION INSTRUCTIONS

**IMPORTANT: READ CAREFULLY BEFORE INSTALLING FIXTURE.
RETAIN FOR FUTURE REFERENCE.**

Structural Pole Mounted Icon Sheet 1 of 5

3/16/04

IMI-594

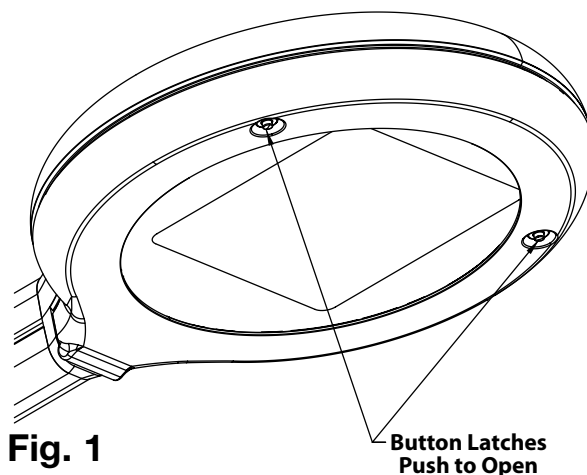
General: Upon receipt of fixture thoroughly inspect for any freight damage, which should be brought to the attention of the delivery carrier. Compare the catalog description listed on the packing slip with the fixture label on the housing to assure you have received the correct merchandise.

Safety: This fixture must be wired in accordance with the national electrical code and applicable local codes and ordinance. Proper grounding is required to insure personal safety. Carefully observe grounding procedure. All work should be done by an electrician.



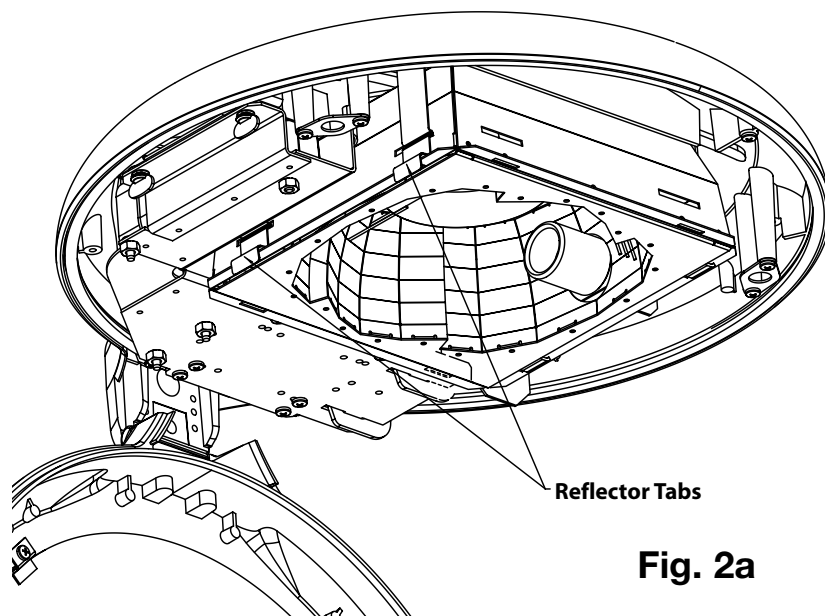
WARNING: Risk of Electric Shock. Disconnect power at circuit breaker panel or fuse box before installing or servicing.

1. Open the Door -
Press both BUTTON LATCHES at the same time and open the door.
See Figure 1.



2. Reflector Removal -
Press the two REFLECTOR TABS outward and swing the REFLECTOR down.
See Figure 2a and Figure 2b.

NOTE: Disconnect REFLECTOR CONNECTOR from the HOUSING as shown in Figure 2c.



These instructions do not claim to cover all details or variations in the equipment, procedure, or process described, nor to provide directions for meeting every possible contingency during installation, operation or maintenance. When additional information is desired to satisfy a problem not covered sufficiently for user's purpose, please contact your nearest representative.

INVUE™ INSTALLATION INSTRUCTIONS

**Structural Pole
Mounted Icon
Sheet 2 of 5**

3/16/04

IMI-594

**IMPORTANT: READ CAREFULLY BEFORE INSTALLING FIXTURE.
RETAIN FOR FUTURE REFERENCE.**



WARNING: Risk of Electric Shock. Disconnect power at fuse or circuit breaker before installing or servicing.

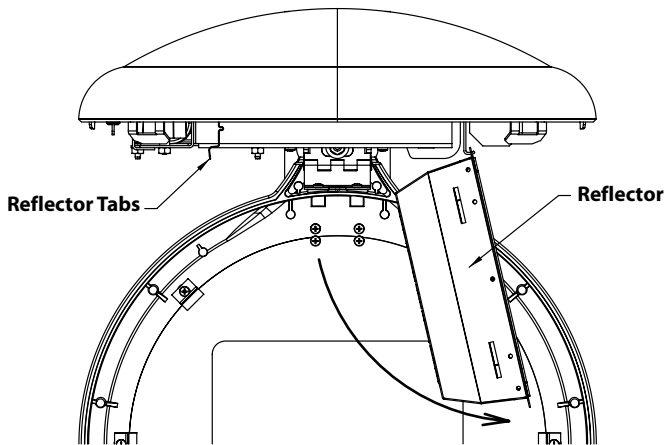


Fig. 2b

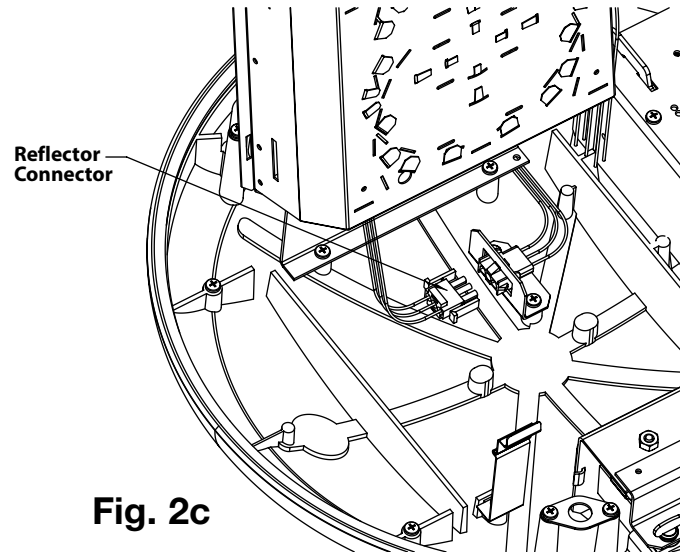


Fig. 2c

3. Power Supply Tray Removal -

Unscrew the two THUMB SCREWS and swing the POWER SUPPLY TRAY down as shown in Figure 3a. Disconnect the POWER CONNECTOR and the OPTIC CONNECTOR from HOUSING. See Figure 3b. The POWER SUPPLY TRAY can now be lifted off the bracket.

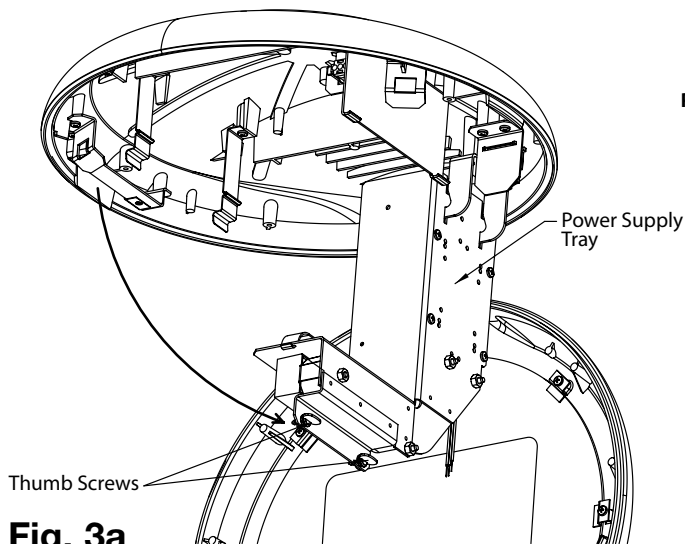


Fig. 3a

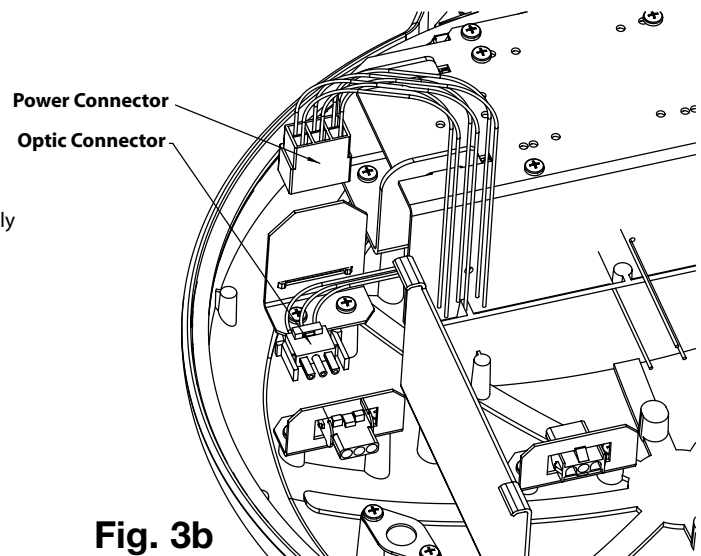


Fig. 3b

These instructions do not claim to cover all details or variations in the equipment, procedure, or process described, nor to provide directions for meeting every possible contingency during installation, operation or maintenance. When additional information is desired to satisfy a problem not covered sufficiently for user's purpose, please contact your nearest representative.

INVUE™ INSTALLATION INSTRUCTIONS

**IMPORTANT: READ CAREFULLY BEFORE INSTALLING FIXTURE.
RETAIN FOR FUTURE REFERENCE.**

**Structural Pole
Mounted Icon
Sheet 3 of 5**

3/16/04

IMI-594



WARNING: Risk of Electric Shock. Disconnect power at fuse or circuit breaker panel or fuse box before installing or servicing.

4. Attach Arm to Pole -

Slide the NUT PLATE into the POLE. Install the THREADED RODS through the holes in the POLE and into the NUT PLATE. Slide the ARM over the THREADED RODS. See Figure 4a. Attach the CLEVIS BRACKET to the upper hole in the NUT PLATE with the supplied SCREW. See Figure 4b.

NOTE: Use of a thread locking compound (not supplied) is suggested where the THREADED RODS contact the NUT PLATE.

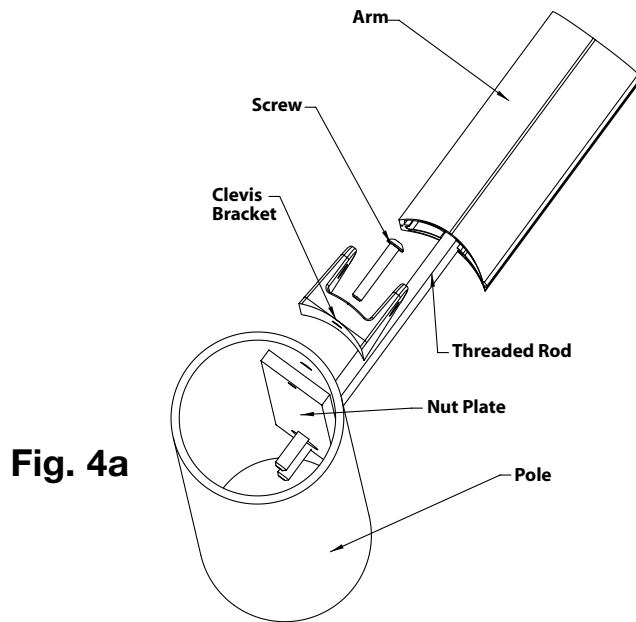


Fig. 4a

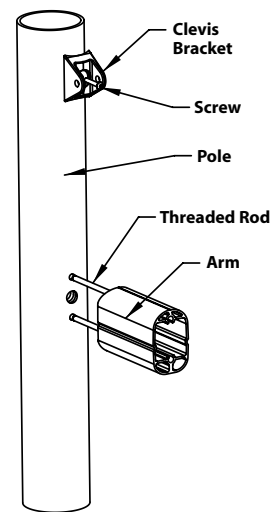


Fig. 4b

5. Prepare the Housing -

Insert the STRUCTURAL POLE into the ROD BRACKET and attach with a SET SCREW. Place CLEVIS on the other end of the STRUCTURAL POLE and attach with a SET SCREW. See Figure 5.

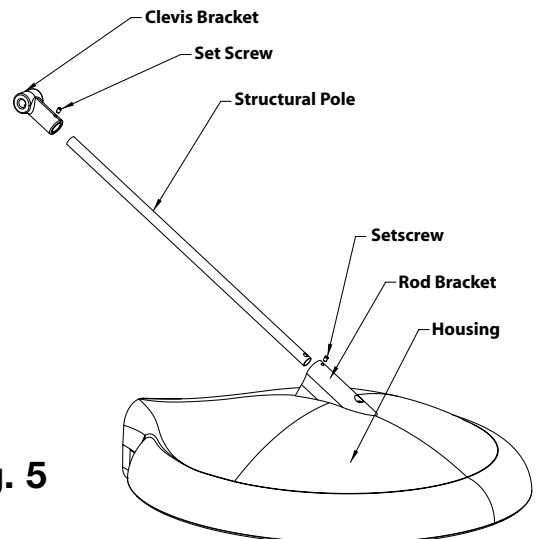


Fig. 5

These instructions do not claim to cover all details or variations in the equipment, procedure, or process described, nor to provide directions for meeting every possible contingency during installation, operation or maintenance. When additional information is desired to satisfy a problem not covered sufficiently for user's purpose, please contact your nearest representative.

INVUE™ INSTALLATION INSTRUCTIONS

**IMPORTANT: READ CAREFULLY BEFORE INSTALLING FIXTURE.
RETAIN FOR FUTURE REFERENCE.**

**Structural Pole
Mounted Icon
Sheet 4 of 5**

3/16/04

IMI-594



WARNING: Risk of Electric Shock. Disconnect power at fuse or circuit breaker panel or fuse box before installing or servicing.

6. Attach Housing to Arm -
Remove the WIREWAY PLUG from the HOUSING.
Move the fixture leads aside so the THREADED RODS may be accessed through the fixture HOUSING. See Figure 6a.

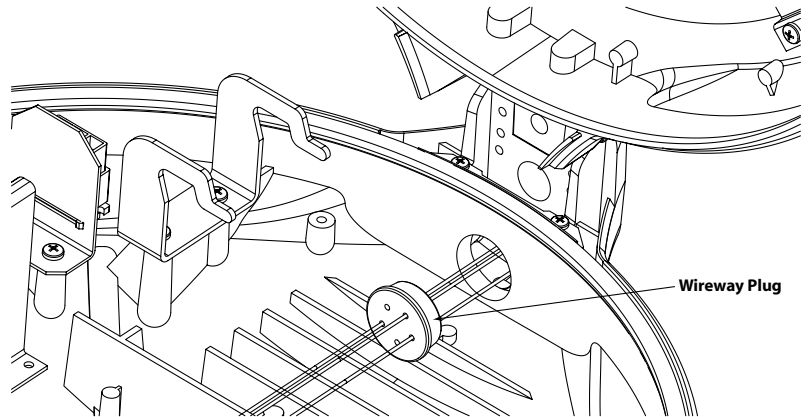


Fig. 6a

Feed the fixture wires through the ARM. Slide the HOUSING over the THREADED RODS and secure it with the PLAIN WASHERS, LOCK WASHERS and HEX NUTS. Make sure the CLEVIS is in the CLEVIS BRACKET and fasten with the SOCKET and CLEVIS SCREW. Torque HEX NUTS as follows:
Medium Icon (ICM) - 450 in-lbs,
Small Icon (ICS) - 130 in-lbs.
See Figure 6b.



WARNING

Risk of Personal Injury

Fixture may become damaged and/or unstable if not installed properly

Tighten all fixture components to their recommended torque values

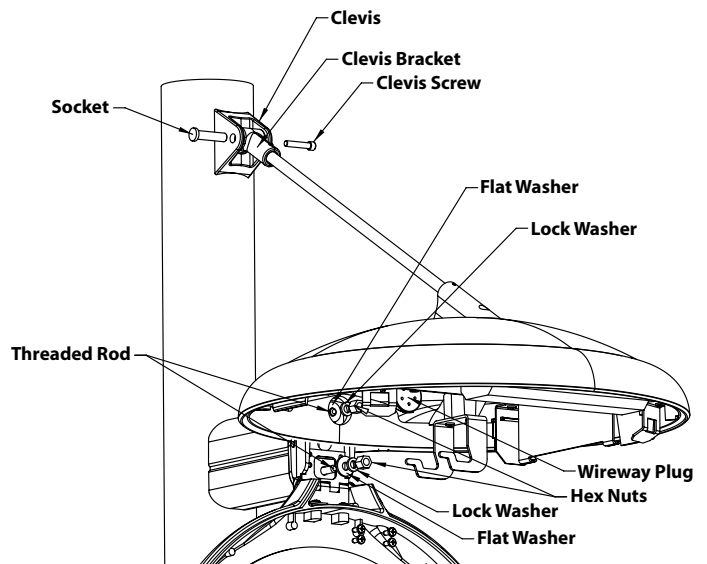


Fig. 6b

NOTE: It may be helpful to use a deep socket when installing the HEX NUTS.

Re-install the WIREWAY PLUG into the wireway in the HOUSING.

These instructions do not claim to cover all details or variations in the equipment, procedure, or process described, nor to provide directions for meeting every possible contingency during installation, operation or maintenance. When additional information is desired to satisfy a problem not covered sufficiently for user's purpose, please contact your nearest representative.

INVUE™ INSTALLATION INSTRUCTIONS

**IMPORTANT: READ CAREFULLY BEFORE INSTALLING FIXTURE.
RETAIN FOR FUTURE REFERENCE.**

**Structural Pole
Mounted Icon
Sheet 5 of 5**

3/16/04

IMI-594



WARNING: Risk of Electric Shock. Disconnect power at fuse or circuit breaker panel or fuse box before installing or servicing.

7. Making Connections-

Make the fixture connections in the ARM. Insert the wires into the arm and reinstall the WIREWAY DOOR as shown in Figure 7.

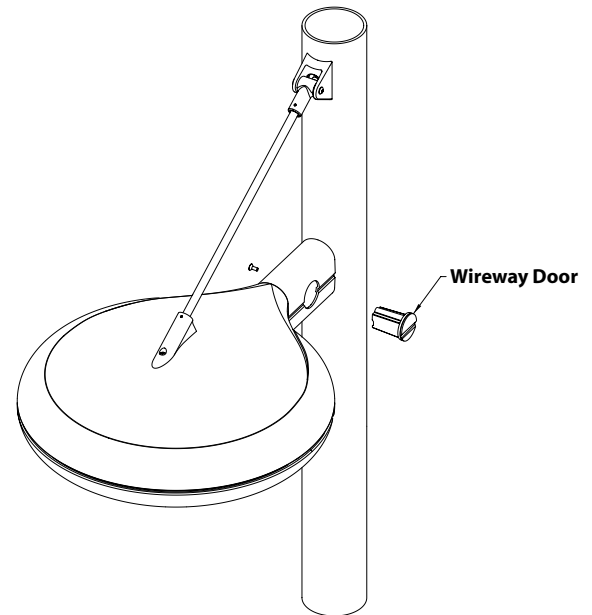


Fig. 7

8. Buttoning Up -

Re-install the POWER SUPPLY TRAY to the HOUSING. Connect the POWER CONNECTOR and OPTIC CONNECTOR. Swing the POWER SUPPLY TRAY up and tighten the two THUMB SCREWS. Re-install the REFLECTOR to the HOUSING. Connect the REFLECTOR CONNECTOR to the HOUSING. Swing the REFLECTOR up until it is secured by the REFLECTOR TABS. You will hear an audible “click” when the REFLECTOR TABS have properly engaged. Close the fixture DOOR. See Figure 8. You will hear two audible “clicks” when the two BUTTON LATCHES are properly engaged.

Re-lamping the Fixture

Disconnect the power to the fixture. Open the DOOR by pressing both BUTTON LATCHES at the same time. Remove the lamp by grasping it close to the base and install the new lamp. Close the fixture DOOR. You will hear two audible “clicks” when the two BUTTON LATCHES are properly engaged.

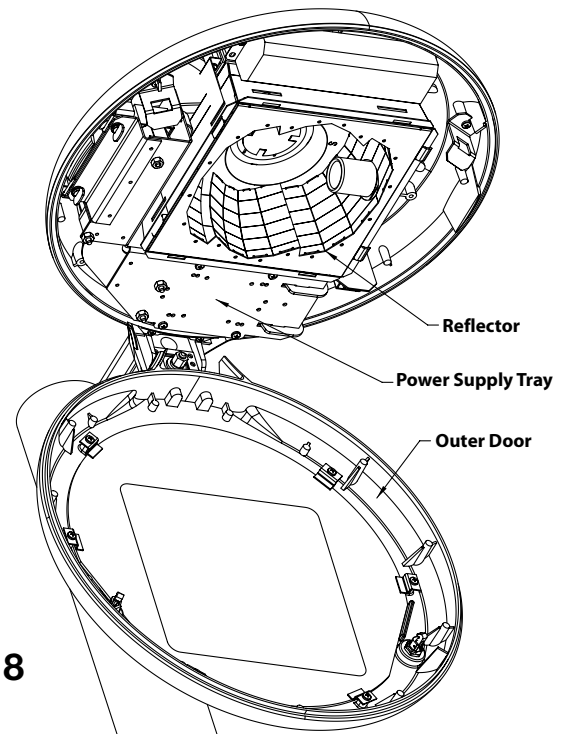


Fig. 8

These instructions do not claim to cover all details or variations in the equipment, procedure, or process described, nor to provide directions for meeting every possible contingency during installation, operation or maintenance. When additional information is desired to satisfy a problem not covered sufficiently for user's purpose, please contact your nearest representative.