

LuxeScape Collection
LED architectural post top and area/site luminaire

Invue





Modern technology and design

A city is defined by its pedestrian experience.

As urban areas are repurposed for public pedestrian scale spaces, high precision smart architectural lighting becomes more important than ever in providing beautiful visual appearances for residents, tourism and commercial activity.

Lighting appropriately selected for pedestrian scale spaces promotes comfort through security, and showcasing value through stunning visual appearances.

The LuxeScape Collection presents a contemporary, architectural dayform providing superior uniformity while enhancing urban spaces with beautiful visual appearances and integral control solutions. The LuxeScape integrates into any urban landscape environment with contemporary dayform designs and brilliant nightform illumination.

Creating intimacy with surroundings

Contemporary, architectural designs connect multiple spaces.

With a visually attractive collection of products enabling a uniform modern architectural design across an entire campus setting, the contemporary design cues of the LuxeScape integrates elegantly into modern day urban architecture enhancing the pedestrian experience.

When appropriately scaled for the space, an intimacy is created between the LuxeScape collection and its surrounding environment. The LuxeScape is photometrically designed for pedestrian scale mounting heights, reducing glare for optimal visibility and superior uniform illumination.



Arm mount



Cantilever mount



Spider mount

Contemporary by day. Brilliant at night

The LuxeScape Collection is designed around industry-leading WaveStream™ LED optics, providing visually pleasing illumination by managing glare and offering high levels of visibility. The LuxeScape's contemporary, architectural design is visually stunning during the day and becomes a nighttime design element like never before.

Dayform

During the day, the LuxeScape's design integrates into any urban landscape providing contemporary, architectural dayform adding value to the space.

Nightform

The industry focus of outdoor luminaire design has been on increased illuminance and improved efficiency without emphasis on nighttime appearance. The LuxeScape's patented WaveStream LED optical technology creates visual comfort, presenting an extraordinary visual appearance. At night, LuxeScape becomes a visual design element that invites admiration and guides the way with integral controllability.

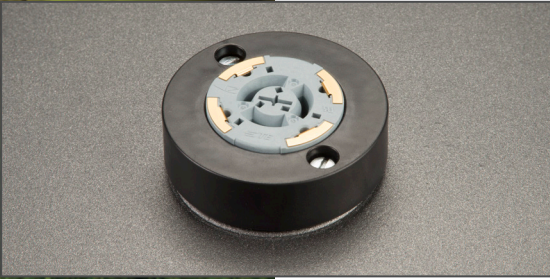




WaveLinX



Occupancy sensor



7-PIN

Synchronizing light and movement

LuxeScape luminaires are fully controllable to maximize energy and savings.

Many pedestrian spaces are vacant during off-peak times while remaining fully illuminated, wasting energy and shortening the life of the system. Cooper Lighting Solutions offers a wide range of control options to meet any code, energy, or environmentally related goal. Maximized operating efficiency, reduced maintenance and overall savings can easily be achieved.

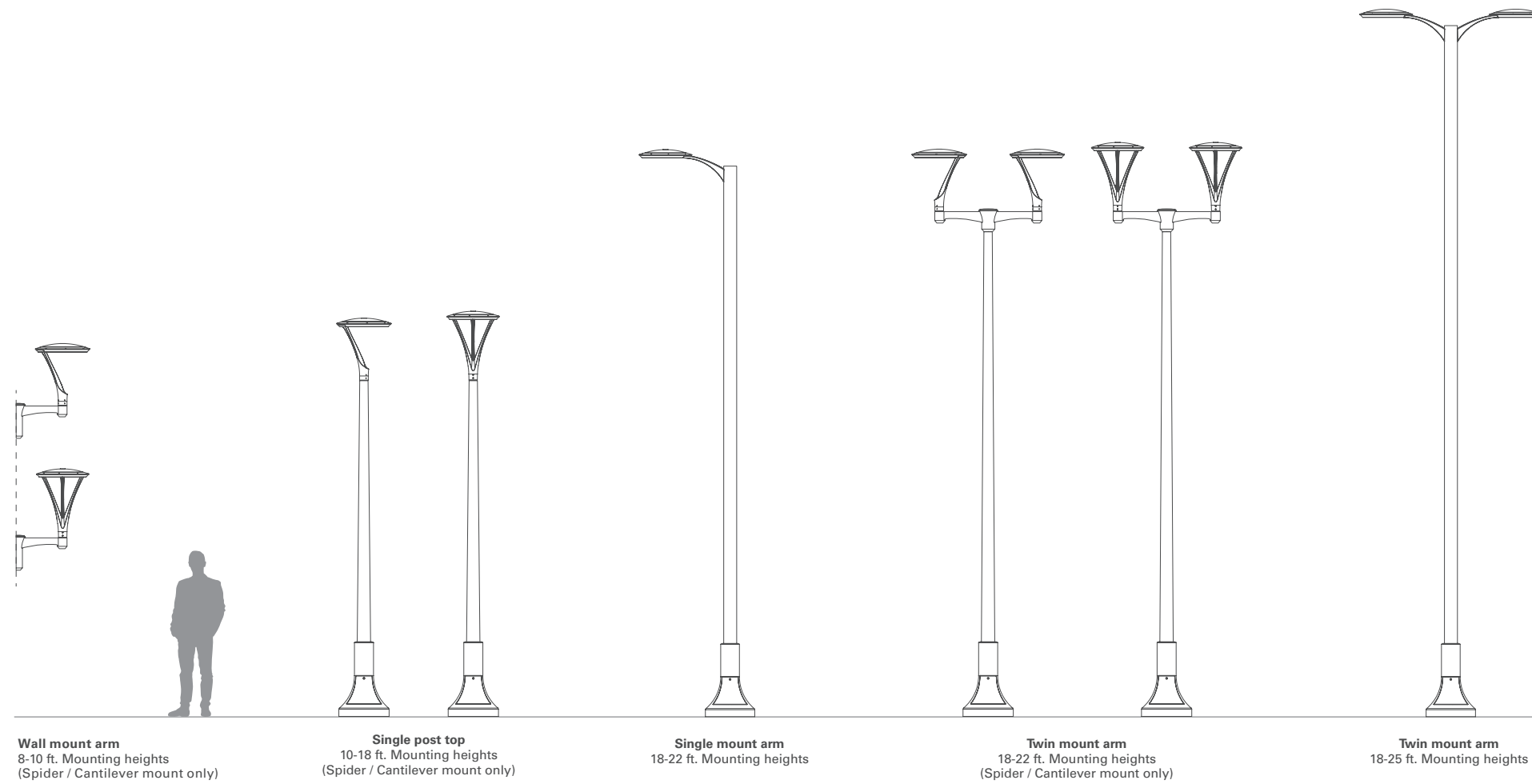
Enabled solutions: integral 0-10V dimming drivers that can be controlled by external systems or through 7-pin photocontrol receptacles.

Integrated controls: factory installed standalone occupancy sensors, DALI drivers, twistlock or button type photocontrols.

WaveLinX (Wireless Outdoor Lighting Control Module): The portfolio of Outdoor WaveLinX Control Modules (nodes) enables control of exterior luminaires in commercial site and areas; such as pathways, areas, and open air parking lots adjacent to buildings and parking decks. This solution provides outdoor lighting a way to be dimmed or turned On/Off based on photo or motion sensors, astronomic, or time schedules. This can be managed locally or remotely.

A flexible design solution

The LuxeScape Collection is photometrically designed for pedestrian scale mounting heights, reducing glare for optimal visibility and superior uniform illumination. With a variety of mounting configurations, optic distributions and lumen packages, the LuxeScape Collection can be utilized for parking areas, on pedestrian pathways or exterior walls, and even within interior spaces.



Versatility creates uniformity

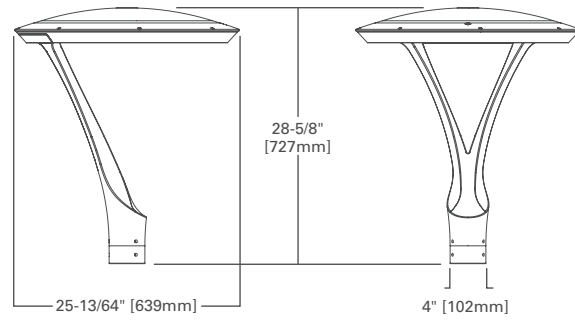
Available with single wall mount and twin post top mounting options, the LuxeScape Collection provides a seamless transition from site to building. The flexibility of the single wall mount and twin mount arm allows LuxeScape to scale landscapes or urban environments, enabling the continuation of contemporary design cues.

Overall, the LuxeScape Collection enhances the pedestrian experience to attract commercial and social activity to the “people spaces” in which we live and work.

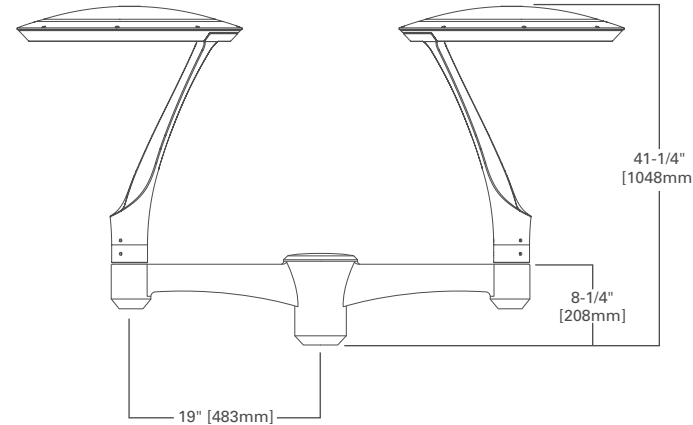


Dimensions

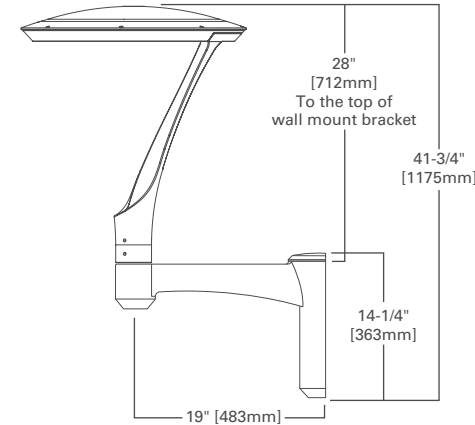
Cantilever mount



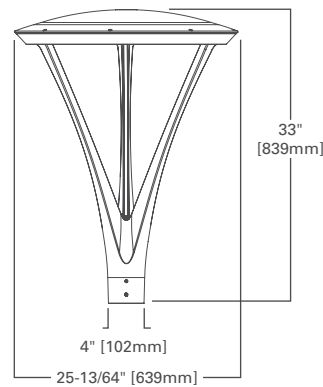
Twin mount arm (shown with Cantilever mount)



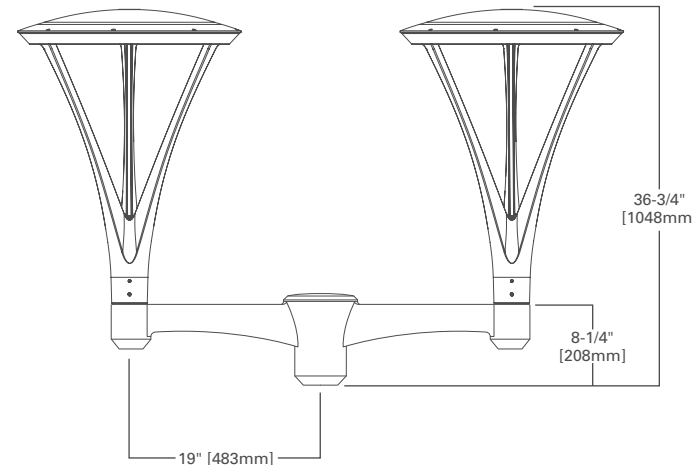
Wall mount arm (shown with Cantilever mount)



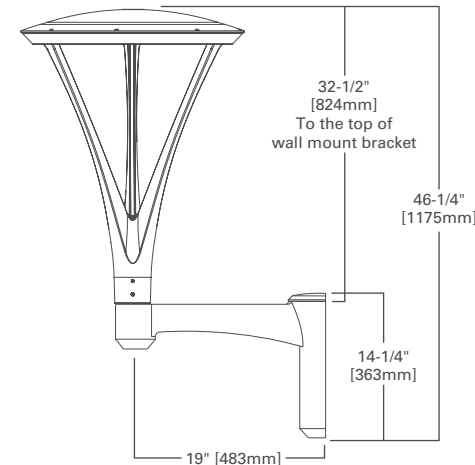
Spider mount



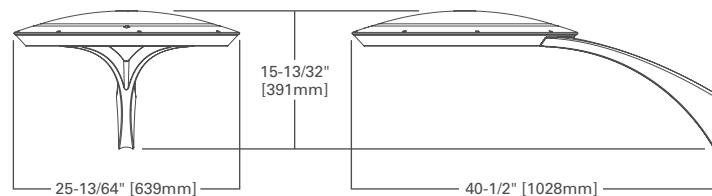
Twin mount arm (shown with Spider mount)



Wall mount arm (shown with Spider mount)



Arm mount



Technical specifications

Performance

Distributions:

Asymmetric Type III, IV

Symmetric Type V

Lumens: 2,000 - 11,420

CCT/CRI: 4000K/70 CRI, 3000K/70 CRI, 3000K/80 CRI

Controls: 0-10V, occupancy sensor, WaveLinX, 7-pin photocontrol receptacle

Additional information

Warranty: 5 year

Vibration tested: 3G

UL/cUL listed: Wet location

IP66 rated: Yes (assembly)

ANSI: C136.31

ISO 9001: Certified

RoHS: Compliant

DLC Qualified: Yes

Approximate net weight:

Arm mount - 41 lbs. (18.6 kgs.)

Cantilever mount - 46 lbs. (20.8 kgs.)

Spider mount - 53 lbs. (24 kgs.)

Effective projected area (EPA) Square feet:

Arm mount - 1.0

Cantilever mount - 1.3

Spider mount - 1.6

Energy data (Electronic LED driver)

Minimum temperature: -30°C

Ambient temperature rating: 40°C (optional 50°C)

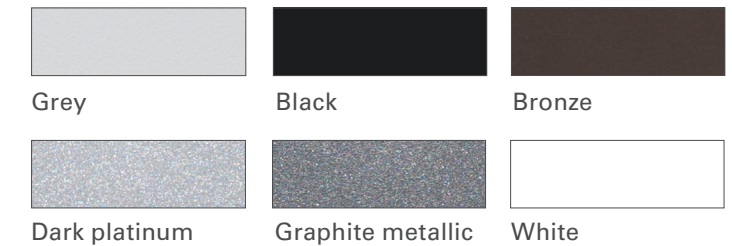
Operation: 120-277V 50/60Hz, 347V 60Hz and 480V 60Hz



Finish selection

Five-stage super TGIC paint resists extreme weather conditions, while providing optimal color and gloss retention.

Cooper Lighting Solutions utilizes premium ultra-weatherable TGIC based polyester powder coatings specifically formulated to withstand extended outdoor exposure while providing decorative appeal. Finish is compliant to 3000hr salt spray standard. RAL and custom color matches available.



NOTE: Colors and textures have been matched as close as possible. Consult your lighting representative at Cooper Lighting Solutions for more information, or visit www.cooperlighting.com to find the most up to date information.

Product specifications subject to change without notice. Visit www.cooperlighting.com to find the most up to date information.

A contemporary compliment

Pairing the LuxeScape's contemporary design architecture with the unique sleek taper and base design of Invue's (ARP) aluminum round decorative pole offering, creates an eloquent transition enhancing pedestrian experiences. The tenon mount only pole comes standard with an access door feature integrated into the base.

The four-bolt ARP pole is available in 3" and 4" O.D. pole tops with optional 2-3/8" or 3" O.D. tenons. Convenience outlet, GFCI outlet, and vibration dampeners also available to fit any specification requirements. Scalable for all pedestrian mounting heights the ARP pole compliments the contemporary design cues of the LuxeScape Collection for a distinct visual appearance.



Aluminum:

Seamless 6063 alloy tapered shaft

Mounting heights: 10' - 18'

Wall thickness:

.156"

.188"

Pole top diameter:

3" O.D.

4" O.D.

4-1/2" O.D.

Bolt circle: 9"

Bolt projection: 3-1/2"

Shaft taper:

5" x 3"

5" x 4-1/2"

Net weight:

57 lbs. (25.91 kgs.)

88 lbs. (40.00 kgs.)

Mounting type:

2-3/8" O.D. tenon (4" Long)

3" O.D. tenon (4" Long)

Options:

Convenience outlet

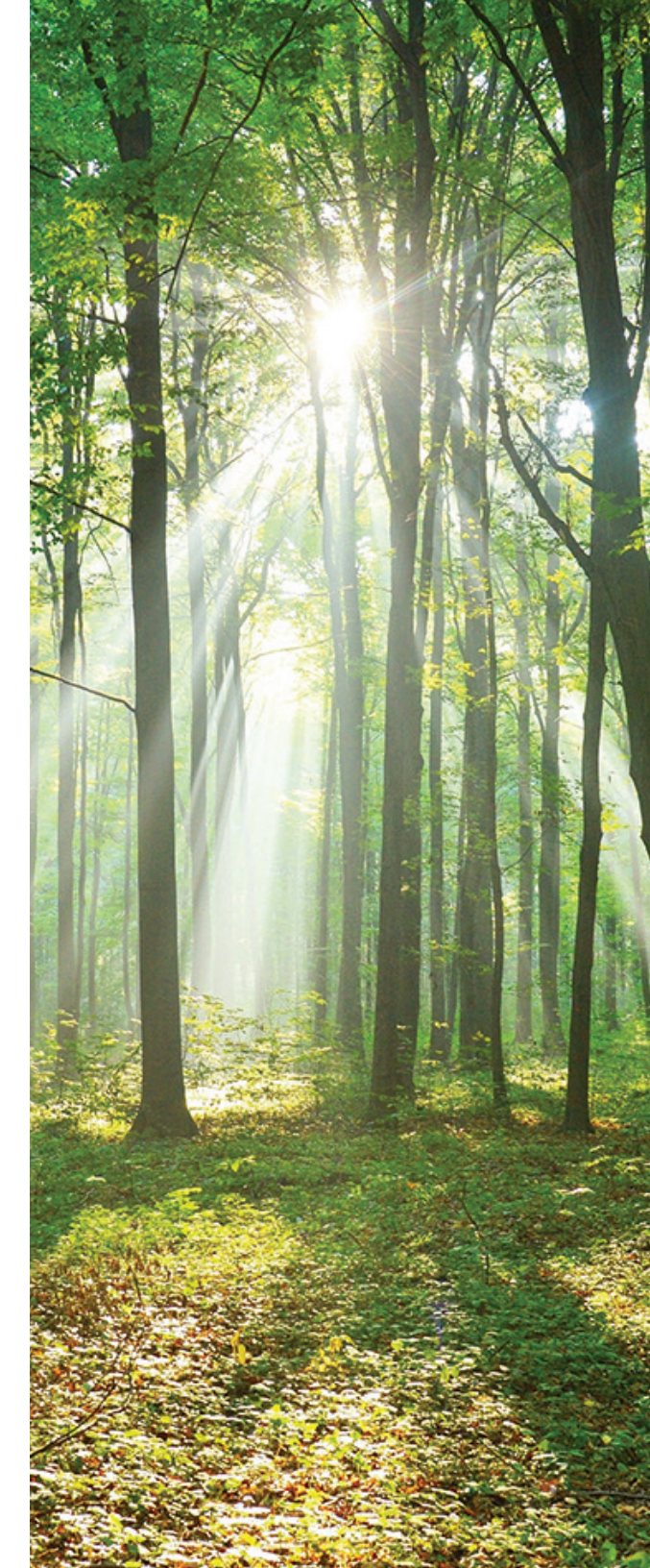
GFCI convenience outlet

Ground lug

Vibration dampener

An organic look

As a design element, the Arbor reflects the role of nature and the desire to stay connected with a more organic urban environment. It relates to the pedestrian experience across an entire campus setting with a visually uniform family of products designed to enhance architectural applications. Companion bollard and wall mounted products, as well as architectural pole mounting options can be selected to create appropriate scale with complimentary appearances.



Lighting Brands

Ametrix
AtLite
Corelite
Ephesus
Fail-Safe
Halo
Halo Commercial
Invue
io
Iris
Lumark
Lumière
McGraw-Edison
Metalux
MWS
Neo-Ray
Portfolio
RSA
Shaper
Streetworks
Sure-Lites

Controls Brands

Greengate
Fifth Light

Connected Lighting Systems

HALO Home
WaveLinx

IoT Platforms

Trellix



Cooper Lighting Solutions
1121 Highway 74 South
Peachtree City, GA 30269
P: 770-486-4800
www.cooperlighting.com

Canada Sales
5925 McLaughlin Road
Mississauga, Ontario L5R 1B8
P: 905-501-3000
F: 905-501-3172

© 2021 Cooper Lighting Solutions
All Rights Reserved
Printed in USA
Publication No. BR500010EN
March 2021

Cooper Lighting Solutions is a registered trademark.

All other trademarks are property of their respective owners.

Product availability, specifications, and compliances are subject to change without notice.