

INVUE[®]

INSTALLATION INSTRUCTIONS

IMPORTANT: READ CAREFULLY BEFORE INSTALLING FIXTURE.

ENTRI LED
Sheet 1 of 4

1/6/10

IMI-722



WARNING: Risk of Fire/Electric Shock. If not qualified, consult an electrician.

WARNING: Risk of Electric Shock. Disconnect power at fuse or circuit breaker before installing or servicing.

WARNING: Risk of Burn. Disconnect power and allow fixture to cool before servicing.

WARNING: Risk of Personal Injury. Fixture may become damaged and/or unstable if not installed properly.

ATTENTION:

READ BEFORE REMOVING FIXTURE FROM CARTON.

Tools Required: Allen Key (3/16"), Phillips screw driver, electrical wiring tools.

NOTE: This lighting fixture should not be used in area of limited ventilation or in high ambient temperature enclosures. It must be stored in a dry location prior to installation. Do not expose lighting fixture to rain, dust or other environmental conditions prior to installation. Best results will be obtained if installed and maintained according to the following recommendations.

NOTE: Care must be taken not to set lighting fixture down on optical lenses or lift the fixture in the lens area.

APPLICATIONS

- Minimum 90°C Supply Conductors when connections are made external to the unit.
- Rated for 40°C (104°F) ambient.
- Suitable for wet location.
- Wall mount luminaire only.
- Construction is suitable for down mount only.
- Must be mounted above grade at minimum 4 feet or higher.
- Suitable for mounting on combustible construction grade wall surfaces.

INSTALLATION

Standard Down Mount Application— FIG. 1 and FIG. 1a

- 1 Remove the mounting plate from the fixture by loosening the two socket head cap screws using 3/16" allen key.
- 2 Loosen the lock nut from the mounting plate.
- 3 Detach tether from the mounting plate.
- 4 Mount the mounting plate to the junction box or wall with gasket contacting wall, away from the luminaire and secure to the structure with screws (by others).

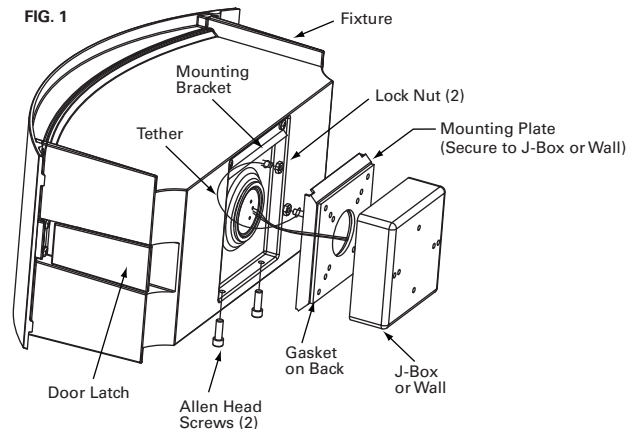
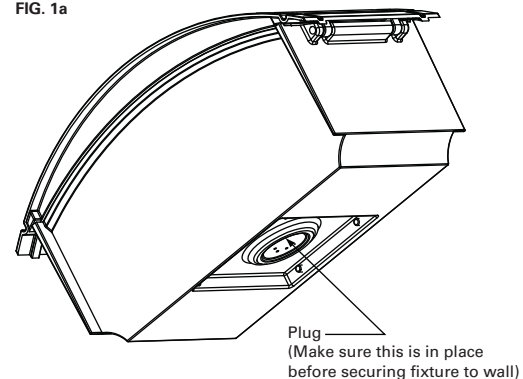


FIG. 1a



These instructions do not claim to cover all details or variations in the equipment, procedure, or process described, nor to provide directions for meeting every possible contingency during installation, operation or maintenance. When additional information is desired to satisfy a problem not covered sufficiently for user's purpose, please contact your nearest representative.

NOTE: Specifications and dimensions subject to change without notice.

INVUE[®]

INSTALLATION INSTRUCTIONS

IMPORTANT: READ CAREFULLY BEFORE INSTALLING FIXTURE.

ENTRI LED
Sheet 2 of 4

1/6/10

IMI-722



WARNING: Risk of Fire/Electric Shock. If not qualified, consult an electrician.

WARNING: Risk of Electric Shock. Disconnect power at fuse or circuit breaker before installing or servicing.

WARNING: Risk of Burn. Disconnect power and allow fixture to cool before servicing.

WARNING: Risk of Personal Injury. Fixture may become damaged and/or unstable if not installed properly.

Mounting plate must be in upright position as specified by label.

NOTE: Care must be taken not to set lighting fixture down on optical lenses or lift the fixture in the lens area.

- 5 Make sure plug at bottom of housing is in place properly as shown in **FIG. 1a**.
- 6 Make electrical connections.
- 7 Re-attach tether to mounting plate.
- 8 Tighten the lock nut.

NOTE: Tether must be able to rotate freely; therefore, do not over tighten lock nut. Fixture must hang from the tether, NOT from electrical wires.

- 9 Slide the luminaire-mounting bracket over the top lid of the mounting plate to nest the hanging mechanism. Hold luminaire in place while allowing the back surface of luminaire to rest against wall.
- 10 Screws must be captured behind lower beveled edge of mounting plate to ensure luminaire is secure. Press luminaire firmly against wall and re-tighten the two (2) socket head cap screws to secure the luminaire to the mounting plate.

THRUWAY BOX-VA2001-XX ACCESSORIES

FIG. 2, 2a, and 2b, for use in down mount application only.

NOTE: Unit with a thruway box weighs more than 25 pounds. Therefore, connect mounting plate to the wall using the 4 larger holes and appropriate anchors/hardware (not provided).

- 1 Remove the mounting plate from the back of thruway box by loosening two (2) Allen head screws.
- 2 Mount the mounting plate to the wall using the four (4) larger holes with required hardware (by others). Plate must be in the correct upright position.

FIG. 2

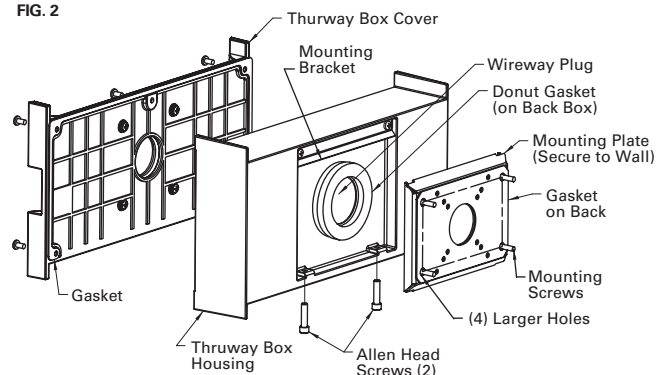
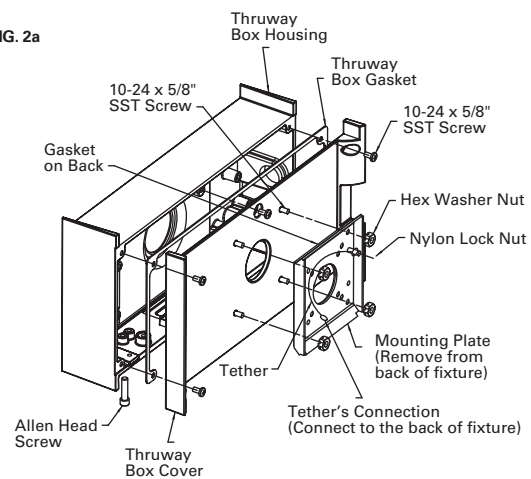


FIG. 2a



These instructions do not claim to cover all details or variations in the equipment, procedure, or process described, nor to provide directions for meeting every possible contingency during installation, operation or maintenance. When additional information is desired to satisfy a problem not covered sufficiently for user's purpose, please contact your nearest representative.

NOTE: Specifications and dimensions subject to change without notice.

INVUE[®]

INSTALLATION INSTRUCTIONS

IMPORTANT: READ CAREFULLY BEFORE INSTALLING FIXTURE.

ENTRI LED
Sheet 3 of 4

1/6/10

IMI-722



WARNING: Risk of Fire/Electric Shock. If not qualified, consult an electrician.

WARNING: Risk of Electric Shock. Disconnect power at fuse or circuit breaker before installing or servicing.

WARNING: Risk of Burn. Disconnect power and allow fixture to cool before servicing.

WARNING: Risk of Personal Injury. Fixture may become damaged and/or unstable if not installed properly.

- 3 Slide the thruway box mounting bracket over the lid of the mounting plate.
- 4 Re-tighten the two (2) Allen head screws to secure the thruway box to the mounting plate.
- 5 If used with thru branch wiring, then remove plugs on side as required and install 3/4" NPS pipe. Seal pipe with Teflon tape or paste.
- 6 Remove the thruway box cover from the thruway box housing by loosening five (5) screws.
- 7 Remove mounting plate from the back of the fixture by loosening two (2) Allen head screws.
- 8 Install the fixture-mounting plate on thruway box cover with four (4) screw and nuts provided.
- 9 Pull supply wires through center hole and re-install thruway box cover back on thruway box housing.

NOTE: Make sure wire plug stays in place.

- 10 Attach the tether from the back of fixture to the mounting plate.
- 11 Tighten the lock nut.

NOTE: Tether must be able to rotate freely; therefore, do not over tighten lock nut.

- 12 Slide the luminaire-mounting bracket over the top lid of the mounting plate
- 13 Tighten the two (2) Allen screws to secure the luminaire to the mounting plate.

THRUWAY BOX WITH OPTIONS

FIG 3 and 3a, for use in down mount application only

- 1 Repeat step 1 through 6 in "Thruway Box—VA2001-XX Accessories."
- 2 Remove the thruway box cover from thruway box housing by loosening five (5) screws.
- 3 Remove the thruway box door by loosening four (4) screws.
- 4 Pull supply wires and re-install thruway box cover back on thruway box housing.

FIG. 2b

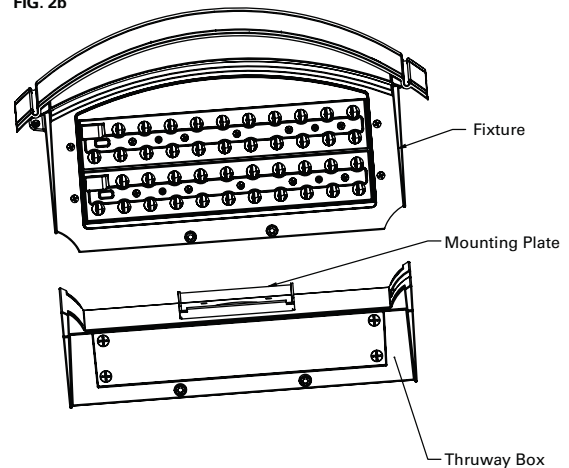
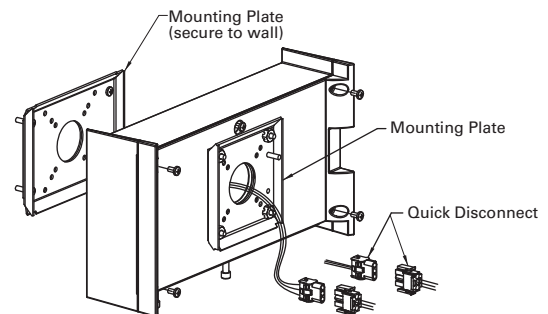


FIG. 3



These instructions do not claim to cover all details or variations in the equipment, procedure, or process described, nor to provide directions for meeting every possible contingency during installation, operation or maintenance. When additional information is desired to satisfy a problem not covered sufficiently for user's purpose, please contact your nearest representative.

NOTE: Specifications and dimensions subject to change without notice.

INVUE[®]

INSTALLATION INSTRUCTIONS

IMPORTANT: READ CAREFULLY BEFORE INSTALLING FIXTURE.

ENTRI LED
Sheet 4 of 4

1/6/10

IMI-722



WARNING: Risk of Fire/Electric Shock. If not qualified, consult an electrician.

WARNING: Risk of Electric Shock. Disconnect power at fuse or circuit breaker before installing or servicing.

WARNING: Risk of Burn. Disconnect power and allow fixture to cool before servicing.

WARNING: Risk of Personal Injury. Fixture may become damaged and/or unstable if not installed properly.

NOTE: Make sure wire plug stays in place.

- 5 Attach the tether from the back of fixture to the mounting plate.
- 6 Tighten the lock nut.

NOTE: Tether must be able to rotate freely; therefore do not over tighten lock nut.

- 7 Plug the quick-disconnect.
- 8 Push the wires into the thruway box.
- 9 Slide the luminaire-mounting bracket over the top lid of the mounting lid.
- 10 Tighten the two (2) Allen head screws to secure the luminaire to the mounting plate.
- 11 Re-install the thruway box door.

WIRE GUARD INSTALLATION (OPTIONAL)

FIG. 4, for use in down mount application only.

- 1 Unscrew four (4) Philip screw from the bottom of the housing.
- 2 Align the four (4) holes in clips of wire guard with holes in the bottom of housing.
- 3 Secure wire guard to luminaire with four (4) provided screws.

MAINTENANCE:

NOTE: A regular maintenance schedule should be followed to retain optimal light output and thermal performance.

Optical lens cleaning should be performed with a clean dry soft cloth to remove any dust or other contaminants. Additional cleaning can be performed with non-abrasive acrylic cleanser.

NOTE: DO NOT USE GLASS CLEANERS.

FIG. 3a

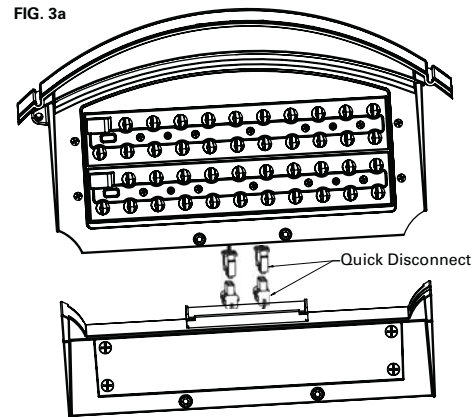
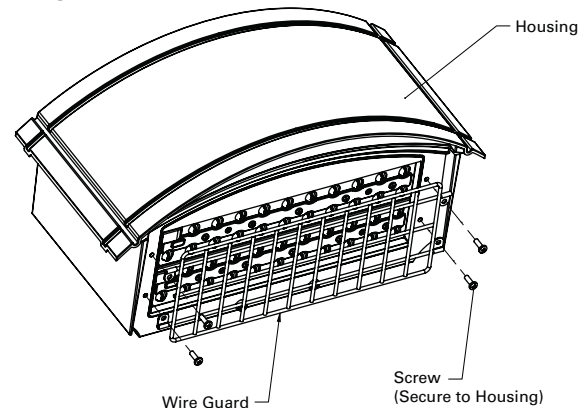


FIG. 4



These instructions do not claim to cover all details or variations in the equipment, procedure, or process described, nor to provide directions for meeting every possible contingency during installation, operation or maintenance. When additional information is desired to satisfy a problem not covered sufficiently for user's purpose, please contact your nearest representative.

NOTE: Specifications and dimensions subject to change without notice.