



ARP ALUMINUM ROUND TAPERED DECORATIVE

Catalog #		Type
Project		
Comments		Date
Prepared by		

FEATURES

- Tapered aluminum shaft spun from seamless 6063 alloy aluminum
- T6 four-bolt anchorage configuration provided
- Anchor bolt per ASTM F1554 Grade 55 with (2) hex nuts, (2) flat washers
- Cast 356 alloy aluminum base with access door
- 10' - 22' mounting heights
- Tenon mount only
- Options to meet Buy American and other domestic preference requirements



DESIGN CONSIDERATIONS

Wind induced vibrations resulting from steady, unidirectional winds and other aerodynamic forces, as well as vibration and coefficient of height factors for non-grounded mounted installations (e.g., installations on bridges or buildings) are not included in this document. The information contained herein is for general guidance only and is not a replacement for professional judgement. Consult with a professional, and local and federal standards, before ordering to ensure product is appropriate for the intended purpose and installation location. Also, please review Cooper Lighting Solutions' Light Pole White Paper for risk factors and design considerations. [Learn more.](#)

Specifications and dimensions subject to change without notice. Consult your lighting representative at Cooper Lighting Solutions or visit www.cooperlighting.com for available options, accessories and ordering information.

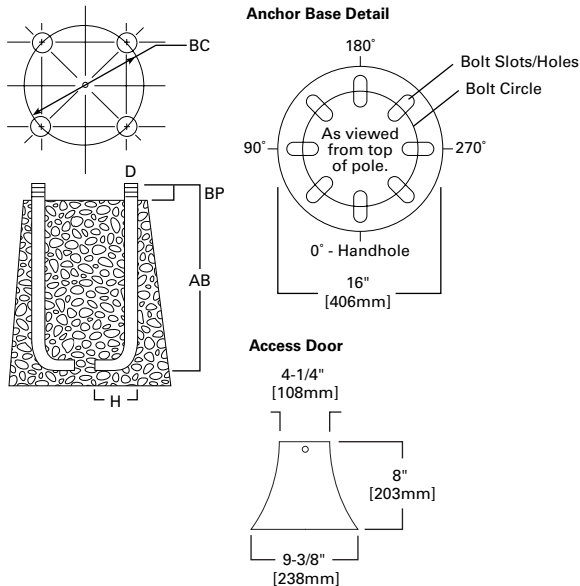
ORDERING INFORMATION

SAMPLE NUMBER: ARP5L310ABZ2

Product Family	Shaft Size (Inches) ¹	Wall Thickness (Inches)	Pole Top Diameter (Inches)	Mounting Height (Feet)	Base Type	Finish	Mounting Type	Number and Location of Arms	Options (Add as Suffix)
ARP =Aluminum Round Tapered Decorative BAA-ARP =Aluminum Round Tapered Decorative Buy American Act Compliant ⁶ TAA-ARP =Aluminum Round Tapered Decorative Trade Agreements Act Compliant ⁶	5=5"	L=0.156" M=0.188"	3=3" O.D. ⁴ 4=4-1/2" O.D. 6=4" O.D. ⁵	10=10' 12=12' 14=14' 16=16' ² 18=18' ² 22=22' ²	A=Aluminum (Round 4-Bolt Pole)	AP =Grey BA =Anodized Bronze BK =Black Smooth BT =Black Texture BZ =Bronze CA =Anodized Clear DA =Anodized Black DP =Dark Platinum GM =Graphite Metallic GN =Hartford Green WH =White	2=2-3/8" O.D. Tenon (4" Long) 5=3" O.D. Tenon (4" Long)	X=None	C =Convenience Outlet ³ E =GFCI Convenience Outlet ³ G =Ground Lug V =Vibration Dampener ²

NOTES 1. All shaft sizes nominal. 2. Vibration damper recommended over 18 feet add suffix "V" to catalog number. 3. Specify outlet location. Receptacle not included, provision only. 4. Provides 3" O.D. pole top suited for Arbor Post Top. 5. Provides 4" OD pole top suited for LuxeScape post tops. 6. Only product configurations with these designated prefixes are built to be compliant with the Buy American Act of 1933 (BAA) or Trade Agreements Act of 1979 (TAA), respectively. Please refer to [DOMESTIC PREFERENCES](#) website for more information. Components shipped separately may be separately analyzed under domestic preference requirements.

ANCHORAGE DATA



Pole	Anchor Bolt and Template Package	Shaft Diameter (inches)	Bolt Circle (inches)	Number of Bolts	Bolt Size (inches)	Template Only
Aluminum Round Decorative Pole (ARP)	317AVE30	4 x 5	9	4	3/4 x 17	407040D

Effective Projected Area (18" Above Pole Top)

Mounting Height (Feet)	Catalog Number	Wall Thickness (Inches)	Bolt Circle Diameter (Inches)	Anchor Bolt Projection (Inches)	Shaft Taper (Inches)	Anchor Bolt Diameter x Length x Hook (Inches)	Net Weight (Pounds)	Maximum Effective Projected Area (Square Feet) (1.3 gust factor)			Max. Load (Pounds)
								80 mph	90 mph	100 mph	
MH			BC	BP	B	AB¹					
10	ARP5L310A	0.156	9.0	3.5	5 x 3	3/4 x 17 x 3	57	19.6	15.3	12.3	120
12	ARP5L312A	0.156	9.0	3.5	5 x 3	3/4 x 17 x 3	62	16.1	12.5	9.9	120
14	ARP5L314A	0.156	9.0	3.5	5 x 3	3/4 x 17 x 3	67	13.2	10.1	8.0	120
16	ARP5L316A	0.156	9.0	3.5	5 x 3	3/4 x 17 x 3	72	10.6	8.0	6.2	120
18	ARP5L318A	0.156	9.0	3.5	5 x 3	3/4 x 17 x 3	77	8.5	6.4	4.8	120
18	ARP5M418A	0.188	9.0	3.5	5 x 4.5	3/4 x 17 x 3	83	10.1	7.7	6.1	150
22	ARP5M422A	0.188	9.0	3.5	5 x 4.5	3/4 x 17 x 3	88	6.4	4.6	3.6	150

Cooper Lighting Solutions
 1121 Highway 74 South
 Peachtree City, GA 30269
 P: 770-486-4800
 www.cooperlighting.com

Canada Sales
 5925 McLaughlin Road
 Mississauga, Ontario L5R 1B8
 P: 905-501-3000
 F: 905-501-3172

Specifications and dimensions subject to change without notice.

