

## DESCRIPTION

The Invue Arbor post top brings architectural style to area/site and pedestrian scale applications. Its dayform appearance brings a desired organic look into the urban environment. WaveStream LED Optics provide a uniform pixelation free image, managing glare while providing high levels of visibility.

<b>Catalog #</b>		<b>Type</b>	
<b>Project</b>			
<b>Comments</b>		<b>Date</b>	
<b>Prepared by</b>			

## SPECIFICATION FEATURES

### Construction

Two-piece IP66 rated housing is cast from low copper content corrosion resistant aluminum, maintaining strength and precision to sustain long term dayform appearance. ANSI C136.31 testing compliance prevents damage from installation generated vibration. External hardware and casting seams are minimized to enhance appearance.

### Optics

Specifically designed for pedestrian applications, WaveStream LED optical waveguide technology produces both symmetric NEMA type V and asymmetric NEMA II, III, IV distributions. The waveguide is manufactured from precision injection molded acrylic resulting in a pixelation free optical image for improved glare control and visual comfort. Luminaire efficacy's measure up to 100 lm/w for 4000K (+/- 275K) CCT at 70 CRI (min), optional 3000K CCT at 80 CRI is also available.

### Electrical

LED driver(s) are directly mounted to upper housing thermal pad for optimal thermal performance.

Standard 0-10V dimming drivers and Cooper Lighting Solutions' proprietary surge protection module are designed to withstand 10kV of transient line surge. Drivers operate at 120-277V 50/60Hz with 347V/60Hz or 480V/60Hz operation optional. Suitable for ambient temperature applications as low as -40°C (40°F) to 40°C (104°F). Limited high ambient options allow for 50°C operation.

### Controls

The Arbor LED luminaire control options are designed to be simple and cost-effective ASHRAE and California Title 24 compliant solutions. The ANSI C136.41 compliant NEMA 7-PIN receptacle enables wireless dimming when used with compatible photocontrol. See control options page for more details.

### Mounting

Fitter assembly mounts over 2-3/8" O.D. tenon and is secured via six concealed stainless steel set screws. Design of fitter provides seamless transition to 3" O.D. round pole top. Additional mounting accessories include a single fixture arm mount, twin

fixture arm mount and wall mount arm. Additional pole mount accessories mount to a 3" x 4" long tenon for 4" - 5" O.D. poles tops. For existing 2-3/8" tenons an adapter is shipped standard.

### Finish

Cooper Lighting Solutions ("CLS") utilizes premium ultra-weatherable TGIC based polyester powder coatings that are specifically formulated to withstand extended outdoor exposure. The powders are formulated exclusively for CLS to serve functionally as well as decorative. Good film appearance combined with excellent mechanical an exterior exposure qualities display greater than twice as much gloss retention. RAL and custom color matches available. Finish is compliant with ASTM B117 3000hr salt spray standard. Options to meet Buy American Act requirements.

### Warranty

Five-year warranty.

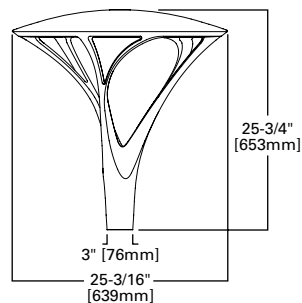


## ARB ARBOR POST TOP

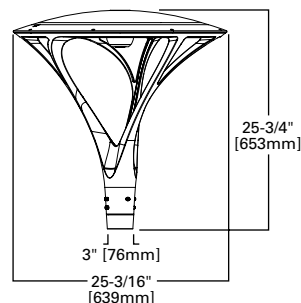
DECORATIVE LUMINAIRE

## DIMENSIONS

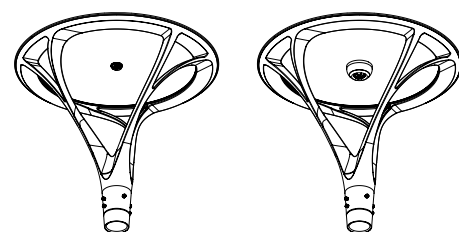
### Pole Mount



### Pole Mount with WaveLinX



### Pole Mount with WaveLinX



### CERTIFICATION DATA

UL/cUL Listed  
IEC 60529 IP66 Housing  
ASTM B117 SaH Spray Tested  
ASTM A3560 Low Cooper Alloy  
ISO 9001  
Dark Sky Approved (3000K CCT and warmer only)  
ANSI C136.31 3G Vibration Tested (Post Top)  
ANSI C136.31 1.5G Vibration Tested (Twin Mount / Accessory Arm Mount)

### ENERGY DATA

**Electronic LED Driver**  
>0.9 Power Factor  
<20% Total Harmonic Distortion  
120-277V 50/60Hz, 347V/60Hz,  
480V/60Hz  
40°C Ambient Temperature Rating  
As low as -40°C (-40°F) minimum  
temperature  
\*See MINIMUM TEMPERATURE table

### EPA

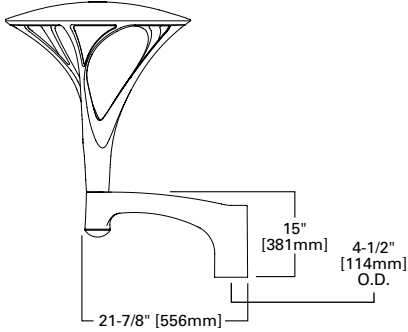
Effective Projected Area: (Sq. Ft.) 0.9

### Approximate Net Weight:

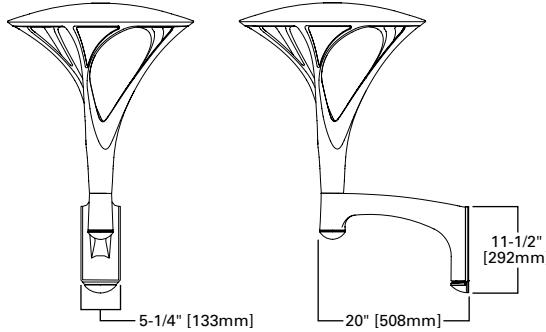
37 lbs. [16.8 kgs.]

**MOUNTING CONFIGURATIONS (WEIGHT AND EPAS INCLUDES FIXTURE)**

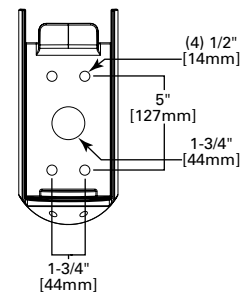
**Single Arm Mount (ARSA-XX)**  
**Weight:** 56 lbs. [25.45 kgs.]  
**EPA:** 1.7 Sq. Ft.



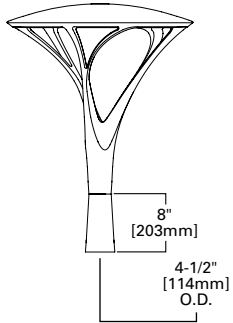
**Wall Mount Arm (ARWM-XX)**  
**Weight:** 57 lbs. [25.91 kgs.]  
**EPA:** 1.8 Sq. Ft.



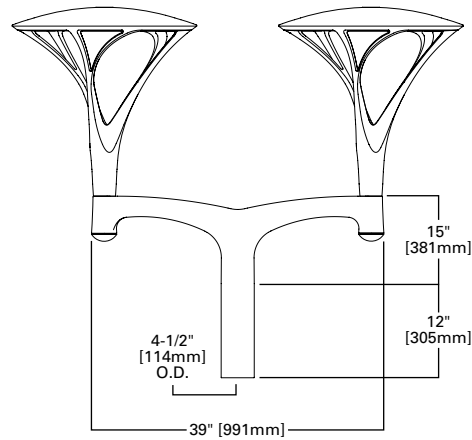
**Wall Mount Arm Drill Pattern**



**Post Top Adapter (ARPA4-XX)**  
**Weight:** 41 lbs. [18.63 kgs.]  
**EPA:** 1.2 Sq. Ft.



**Twin Arm Mount (ARTA15-XX)**  
**Weight:** 114 lbs. [51.81 kgs.]  
**EPA:** 3.45 Sq. Ft.

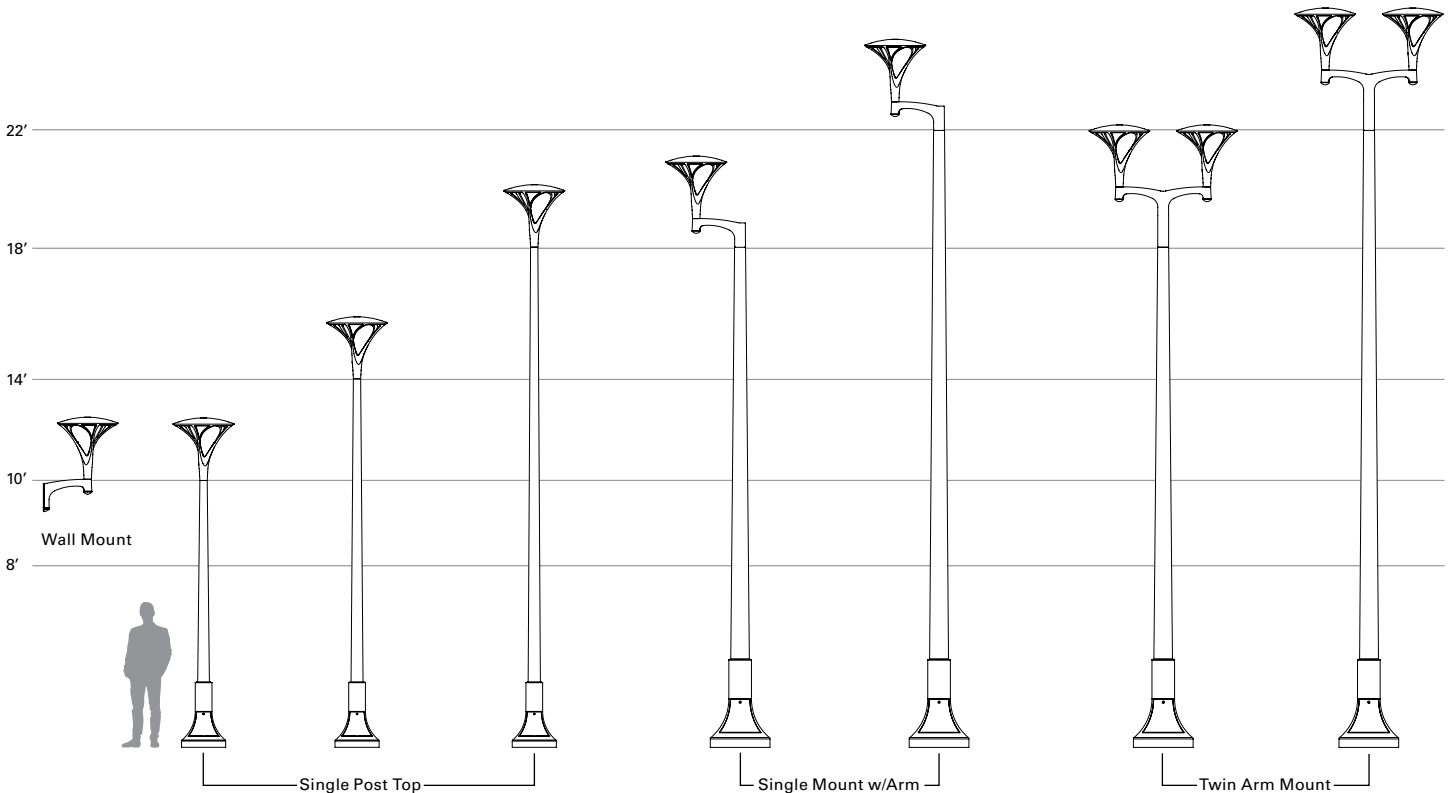


**MOUNTING REQUIREMENTS CHART**

Tenon O.D. (Inches)	2-3/8" Tenon		
	3"	4"	5"
Pole Top O.D. (Inches)	Standard	Standard	Standard
Post Top	Standard	Spacer (Provided) & ARPA4-XX (Order Separately)	Spacer (Provided) & ARPA4-XX (Order Separately)
Single Arm Mount	Spacer (Provided)	Spacer (Provided)	Spacer (Provided)

Tenon O.D. (Inches)	3" Tenon	
	4"	5"
Pole Top O.D. (Inches)	Standard	Standard
Post Top	ARPA4-XX (Order Separately)	ARPA4-XX (Order Separately)
Single Arm Mount	Standard	Standard
Twin Mount	Standard	Standard

**POLE CONFIGURATIONS (ARP DECORATIVE POLE SHOWN)**



**ORDERING INFORMATION**

Sample Number: ARB-B2-LED-D1-T2-GM

Product Family <sup>1,2</sup>	Lumens <sup>3</sup>	Lamp Type	Voltage	Distribution	Color <sup>7</sup>
ARB=Arbor Post Top BAA-ARB=Arbor Post Top Buy American Act Compliant <sup>25</sup>	B1=Nominal 2,300 Lumens B2=Nominal 4,500 Lumens B3=Nominal 8,500 Lumens B4=Nominal 9,500 Lumens <sup>4</sup>	LED=Solid State Light Emitting Diodes	D1=Dimming Driver (120-277V) 347=347V <sup>5</sup> 480=480V <sup>5,6</sup>	T2=Type II T3=Type III T4=Type IV T5=Type V	AP=Grey BZ=Bronze BK=Black DP=Dark Platinum GM=Graphite Metallic WH=White
<b>Options (Add as Suffix)</b>			<b>Accessories (Order Separately) <sup>19,26</sup></b>		
7030=70 CRI / 3000K CCT <sup>8</sup> 7035=70 CRI / 3500K CCT <sup>8</sup> 8030=80 CRI / 3000K CCT <sup>8</sup> 8035=80 CRI / 3500K CCT <sup>8</sup> AMB=Amber 590nm <sup>11,27</sup> 20MSP=20kV MOV Surge Protective Device 20K=20kV UL 1449 Fused Surge Protective Device PC=Button Type Photocontrol PER=NEMA 3-PIN Twistlock Photocontrol Receptacle PER7=NEMA 7-PIN Twistlock Photocontrol Receptacle HA=50°C High Ambient Temperature <sup>9</sup> SPB1=Dimming Occupancy Sensor with Bluetooth Interface, <8' Mounting <sup>23</sup> SPB2=Dimming Occupancy Sensor with Bluetooth Interface, 8'-20' Mounting <sup>23</sup> SPB4=Dimming Occupancy Sensor with Bluetooth Interface, 21'-40' Mounting <sup>23</sup> MS-L08=Motion Sensor for ON/OFF Operation, Maximum 8' Mounting Height <sup>10,11</sup> MS-L20=Motion Sensor for ON/OFF Operation, 9' - 20' Mounting Height <sup>10,11</sup> MS-L40W=Motion Sensor for ON/OFF Operation, 21' - 40' Mounting Height <sup>10,11</sup> MS/DIM-L08=Motion Sensor for Dimming Operation, Maximum 8' Mounting Height <sup>10,11</sup> MS/DIM-L20=Motion Sensor for Dimming Operation, 9' - 20' Mounting Height <sup>10,11</sup> MS/DIM-L40W=Motion Sensor for Dimming Operation, 21' - 40' Mounting Height <sup>10,11</sup> ZW=WaveLinx-enabled 4-PIN Twistlock Receptacle <sup>10,12,13,29,30</sup> ZD=SR Driver-enabled 4-PIN Twistlock Receptacle <sup>10,12,13,29,30</sup> ZW-WOBWH=WaveLinx Lite, Dimming Motion and Daylight, Bluetooth Programmable, 7' - 15' Mounting ZW-WOFWH=WaveLinx Lite, Dimming Motion and Daylight, Bluetooth Programmable, 15' - 40' Mounting ZD-WOBWH=WaveLinx Lite, SR Driver, Dimming Motion and Daylight, Bluetooth Programmable, 7' - 15' Mounting ZD-WOFWH=WaveLinx Lite, SR Driver, Dimming Motion and Daylight, Bluetooth Programmable, 15' - 40' Mounting ZW-SWPD4WH=WaveLinx Pro, Dimming Motion and Daylight, WAC Programmable, 7' - 15' Mounting <sup>10,12,13,15,19,29,30</sup> ZW-SWPD5WH=WaveLinx Pro, Dimming Motion and Daylight, WAC Programmable, 15' - 40' Mounting <sup>10,12,13,15,19,29,30</sup> ZD-SWPD4WH=WaveLinx Pro, SR Driver, Dimming Motion and Daylight, WAC Programmable, 7' - 15' Mounting <sup>10,12,13,15,19,29,30</sup> ZD-SWPD5WH=WaveLinx Pro, SR Driver, Dimming Motion and Daylight, WAC Programmable, 15' - 40' Mounting <sup>10,12,13,15,19,29,30</sup> LWR-LW=Enlighted Wireless Sensor, Wide Lens for 8' - 16' Mounting Height <sup>10,16</sup> LWR-LN=Enlighted Wireless Sensor, Narrow Lens for 16' - 40' Mounting Height <sup>10,16</sup> 5LTD=Fifth Light Dali Driver <sup>10,17</sup> DIM=0-10V External Dimming Leads <sup>10,18</sup> VS=Tempered Glass Vandal Shield CC=Coastal Construction <sup>24</sup> SPBL2=FDP-301-L2 (Wattstopper DALI sensor) SPBL4=FDP-301-L7 (Wattstopper DALI sensor) TH=Toolless hardware F=Single Fuse <sup>28</sup>			ARSA-XX=Single Pole Mount Arm <sup>20</sup> ARWM-XX=Wall Mount Arm ARTA15-XX=Twin Mount Bracket <sup>21</sup> ARPA4-XX=Pole Adapter 4" O.D. Pole FSIR-100=Wireless Configuration Tool for Occupancy Sensor <sup>21</sup> WOLC-7P-10A=WaveLinx Outdoor Control Module (7-PIN) <sup>10,22</sup> WOB-WH= WaveLinx Lite Sensor, Dimming Motion and Daylight, Bluetooth Programmable, 7' - 15' Mounting WOF-WH= WaveLinx Lite Sensor, Dimming Motion and Daylight, Bluetooth Programmable, 15' - 40' Mounting SWPD4-WH= WaveLinx Sensor, Dimming Motion and Daylight, WAC Programmable, 7' - 15' Mounting <sup>13,15,19,29</sup> SWPD5-WH= WaveLinx Sensor, Dimming Motion and Daylight, WAC Programmable, 15' - 40' Mounting <sup>13,15,19,29</sup>		

- NOTES:**
- Customer is responsible for engineering analysis to confirm pole and fixture compatibility for all applications. Refer to our white paper WP513001EN for additional information.
  - Fixture slipfits over standard 2-3/8" tenon. 3" O.D. tenon when used with a ARPA4-XX 4" O.D. pole adapter.
  - Standard 4000K CCT, nominal 70CRI.
  - B4 only available with Type V distribution.
  - Requires the use of a step down transformer.
  - Only for use with 480V Wye systems. Per NEC, not for use with ungrounded systems, impedance grounded systems or corner grounded systems (commonly known as Three Phase Three Wire Delta, Three Phase High Leg Delta and Three Phase Corner Grounded Delta systems).
  - Custom and RAL color matching available upon request. Consult your lighting representative for more information.
  - Extended lead times apply. Use dedicated IES files when performing layouts.
  - Not available with B3 lumen package in Type II, III, or IV distributions.
  - Controls system is not available with photocontrol (PC), photocontrol receptacle (PER or PER7), or controls systems MS, LWR, DIM or SPBx.
  - Not available with HA option.
  - Sensor passive infrared (PIR) may be overly sensitive below -20°C (-4°F).
  - For device to be field-configurable, requires WAC Gateway components WAC-POE and WPOE-120 in appropriate quantities. Only compatible with WaveLinx system and software and requires system components to be installed for operation. See website for more WaveLinx application information.
  - Not available on B1 or B4 lumen packages.
  - Requires 4-PIN twistlock receptacle (ZD or ZW) option.
  - Enlighted wireless sensors are factory installed and require network components LWP-EM-1, LWP-GW-1, and LWP-PoE8 in appropriate quantities. See website for application information.
  - Not available in B4 lumen package.
  - Low voltage control leads brought 18" outside fixture.
  - Replace XX with paint color.
  - Fits on 3" O.D. x 4" long tenon for nominal 4-1/2" O.D. pole top.
  - This tool enables adjustment to Motion Sensor (MS) parameters including high and low modes, sensitivity, time delay, cutoff and more. Consult your lighting representative for more information.
  - Requires 7-PIN NEMA twistlock photocontrol receptacle (PER7) option. The WOLC-7 cannot be used in conjunction with other controls systems (MS, ZW, ZD or LWR). Operates on 120-347V input voltages.
  - Smart device with mobile application required to change system defaults. See controls section for details.
  - Coastal construction finish salt spray tested to over 5,000-hours per ASTM B117, with a scribe rating of 9 per ASTM D1654.
  - Only product configurations with this designated prefix are built to be compliant with the Buy American Act of 1933 (BAA). Please refer to [DOMESTIC PREFERENCES](#) website for more information. Components shipped separately may be separately analyzed under domestic preference requirements.
  - Accessories sold separately will be separately analyzed under domestic preference requirements. Consult factory for further information.
  - Narrow-band 590nm +/- 5nm for wildlife and observatory use. Choose Lumen Package B1. See IES files for photometric performance.
  - Must specify voltage (120V, 277V, or 347V) to fuse the single hot leg.
  - Not available with 5LTD option.
  - If ZD or ZW only, shorting cap will be installed on 4-pin receptacle.

**POWER AND LUMENS**

Lumen Package	B1	B2	B3	B4	
<b>Drive Current</b>					
<b>Power Wattage (Watts)</b>	24W	48W	96W	99W	
Input Current (mA) @ 120V	200	400	800	830	
Input Current (mA) @ 208V	120	240	470	480	
Input Current (mA) @ 240V	100	200	400	420	
Input Current (mA) @ 277V	90	180	350	360	
<b>Power Wattage (Watts)</b>	26W	53W	107W	108W	
Input Current (mA) @ 347V	79	161	325	328	
Input Current (mA) @ 480V	58	117	235	237	
<b>Optics</b>					
<b>Type II</b>	Lumens	2,045	3,994	7,362	--
	BUG Rating	B1-U0-G1	B1-U0-G2	B3-U0-G3	--
<b>Type III</b>	Lumens	2,324	4,534	8,451	--
	BUG Rating	B1-U0-G1	B1-U0-G2	B2-U0-G3	--
<b>Type IV</b>	Lumens	2,408	4,691	8,740	--
	BUG Rating	B1-U0-G1	B1-U0-G2	B2-U0-G3	--
<b>Type V</b>	Lumens	2,311	4,529	8,511	9,464
	BUG Rating	B2-U0-G1	B3-U0-G2	B3-U0-G3	B3-U0-G3

**LUMEN MULTIPLIER**

Ambient Temperature	Lumen Multiplier
0°C	1.02
10°C	1.01
25°C	1.00
40°C	0.99
50°C	0.97

**LUMEN MAINTENANCE**

Ambient Temperature	TM-21 Lumen Maintenance (60,000 Hours)	Calculated L70 (Hours)
25°C	>91%	>230,000
40°C	>88%	>172,000
50°C	>86%	>142,000

NOTE: Maintenance data applies to the highest drive current and represents the worst case at the highest wattage.

**COLOR TEMPERATURE**

Color Temperature (CCT)	CRI (Nominal)	Multiplier
4000	70	1.00
3000	80	0.91

**MINIMUM AMBIENT TEMPERATURE**

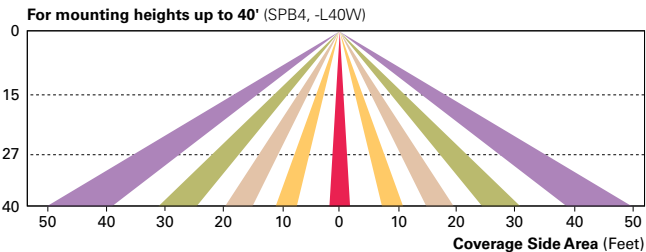
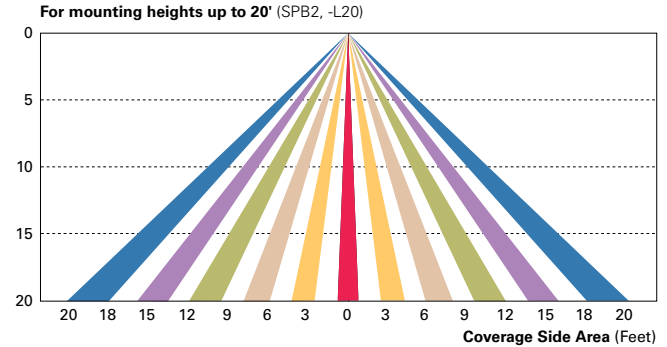
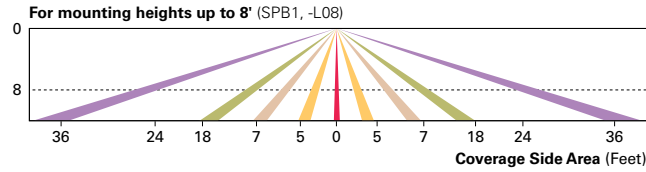
Lumen Package	Temperature
B1	-40°C
B2	-35°C
B3	-35°C
B4	-40°C
All DALI powered lumen packages	-20°C

CONTROL OPTIONS

0-10V (D) The dimming option provides 0-10V dimming wire leads for use with a lighting control panel or other control method.

Photocontrol (PER and PER7) Photocontrol receptacles provide a flexible solution to enable "dusk-to-dawn" lighting by sensing light levels. Advanced control systems compatible with NEMA 7-pin standards can be utilized with the PER7 receptacle.

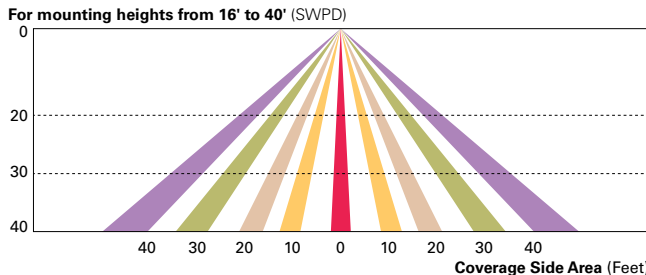
Dimming Occupancy Sensor (SPB, MS/DIM-LXX and MS-LXX) These sensors are factory installed in the luminaire housing. When the SPB or MS/DIM sensor options are selected, the occupancy sensor is connected to a dimming driver and the entire luminaire dims when there is no activity detected. When activity is detected, the luminaire returns to full light output. The MS/DIM sensor is factory preset to dim down to approximately 50 percent power with a time delay of five minutes. The MS-LXX sensor is factory preset to turn the luminaire off after five minutes of no activity. SPB motion sensors require the Sensor Configuration mobile application by Wattstopper to change factory default dimming level, time delay, sensitivity and other parameters. Available for iOS and Android devices. The SPB sensor is factory preset to dim down to approximately 10% power with a time delay of five minutes. The MS/DIM occupancy sensors require the FSIR-100 programming tool to adjust factory defaults.



WaveLinx Wireless Control and Monitoring System Available in 7-PIN or 4-PIN configurations, the WaveLinx Outdoor control platform operates on a wireless mesh network based on IEEE 802.15.4 standards enabling wireless control of outdoor lighting. Use the WaveLinx Mobile application for set-up and configuration. At least one Wireless Area Controller (WAC) is required for full functionality and remote communication (including adjustment of any factory pre-sets).

WaveLinx Outdoor Control Module (WOLC-7P-10A) A photocontrol that enables astronomical or time-based schedules to provide ON, OFF and dimming control of fixtures utilizing a 7-PIN receptacle. The out-of-box functionality is ON at dusk and OFF at dawn.

WaveLinx Wireless Sensor (SWPD4 and SWPD5) These outdoor sensors offer passive infrared (PIR) occupancy and a photocell for closed loop daylight sensing. These sensors can be factory installed or field-installed via simple, tool-less integration into luminaires equipped with the Zhaga Book 18 compliant 4-PIN receptacle (ZD or ZW). These sensors are factory preset to dim down to approximately 50 percent power after 15 minutes of no activity detected. These occupancy sensors include an integral photocell for "dusk-to-dawn" control or daylight harvesting that is factory-enabled. A variety of sensor lenses are available to optimize the coverage pattern for mounting heights from 7'-40'.



Enlighted Wireless Control and Monitoring System (LWR-LW and LWR-LN) The Enlighted System is a connected lighting solution that combines LED luminaires with an integrated wireless sensor system. The sensor controls the lighting system in compliance with the latest energy codes and collects valuable data about building performance and use. Software applications turn the granular data into information through energy dashboards and specialized apps that make it simple and help optimize the use of other resources beyond lighting.

