

**FEATURES:**

- DIE CAST BRASS HOUSING WITH LOUVERS
- HIGH HEAT GASKET
- PORCELAIN SOCKET WITH 4ft 18/2 POWER LEAD

**FINISHES:**

- RAW BRASS
- ANTIQU BRASS

**LAMPS:**

- 12 VOLT 10 WATT BI-PIN
- 10 WATT MAXIMUM

**LENS:**

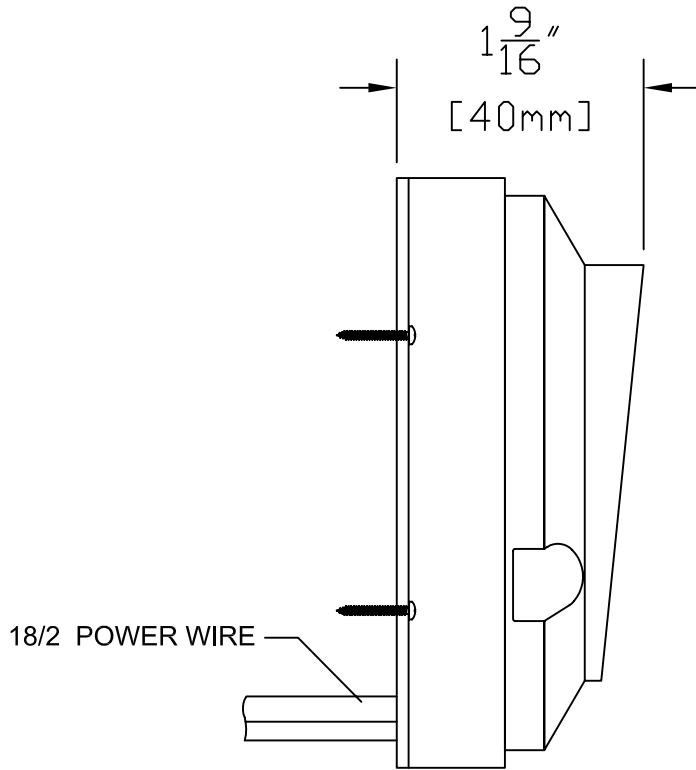
- 3mm FROSTED SODA LIME GLASS

**STANDARD MOUNTING:**

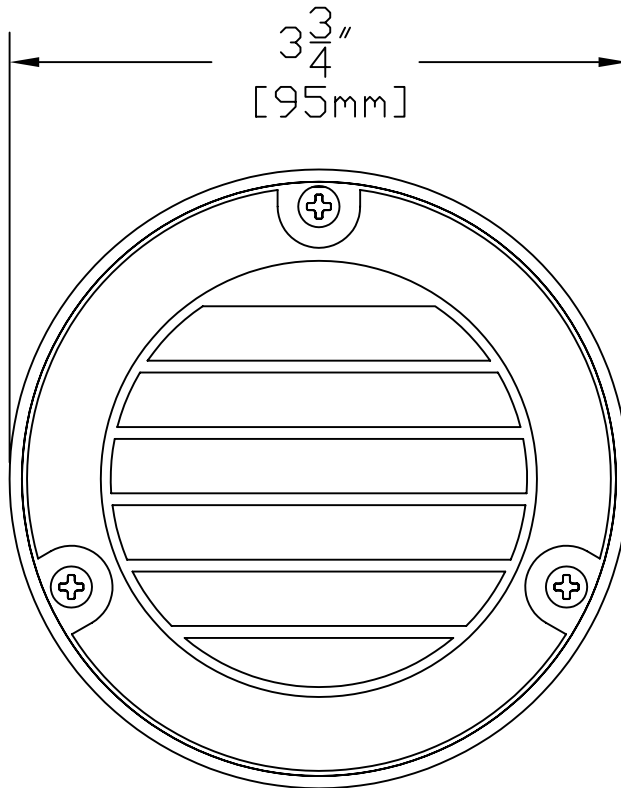
- FLUSH MOUNT WITH 3 SCREWS

**ACCESSORIES:**

- 25ft & 50ft 16/2 LEADS AVAILABLE



SIDE VIEW WITH DIMENSIONS



FRONT VIEW WITH DIMENSIONS



SHOWN IN ANTIQUE FINISH



CopperMoon DECK, SURFACE & STEP  
CM.835

901 3rd AVE.  
WEST POINT, GA. 31833  
1.800.727.5483  
www.coppermoon.com

SIZE	DRAWN BY:	CLASSIFICATION:	DATE:
A	CRAIG SANDERS	DECK, SURFACE & STEP	MARCH 30, 2010