

FEATURES:

- DIE CAST BRASS HOUSING
- HIGH HEAT GASKET
- PORCELAIN SOCKET WITH 4ft 18/2 POWER LEAD

FINISHES:

- RAW BRASS
- ANTIQUÉ BRASS

LAMPS:

- 12 VOLT 10 WATT BI-PIN
- 10 WATT MAXIMUM

LENS:

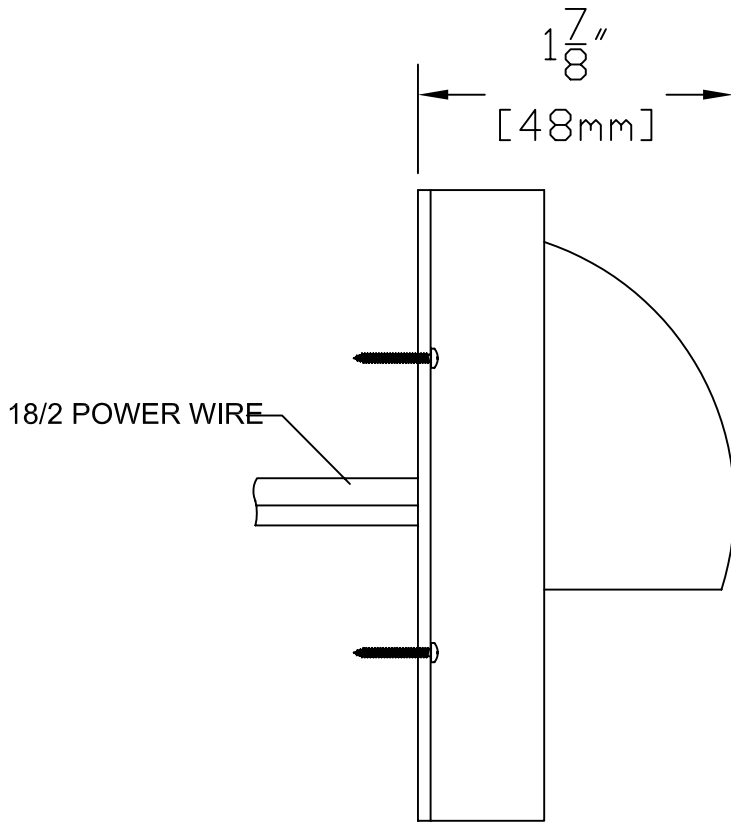
- 3mm FROSTED SODA LIME GLASS

STANDARD MOUNTING:

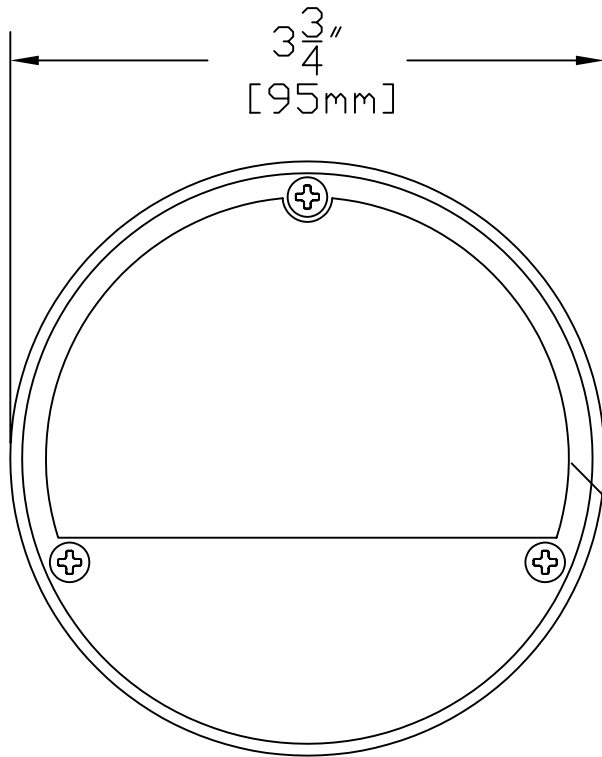
- FLUSH MOUNT WITH 3 SCREWS

ACCESSORIES:

- 25ft & 50ft 16/2 LEADS AVAILABLE



SIDE VIEW WITH DIMENSIONS



FRONT VIEW WITH DIMENSIONS



SHOWN IN ANTIQUE FINISH

LAMP ASSEMBLY



CopperMoon DECK, SURFACE & STEP
CM.830

901 3rd AVE.
WEST POINT, GA. 31833
1.800.727.5483
www.coppermoon.com

SIZE	DRAWN BY:	CLASSIFICATION:	DATE:
A	CRAIG SANDERS	DECK, SURFACE & STEP	MARCH 30, 2010