

FEATURES:

- SOLID COPPER CONSTRUCTION
- MINI WEDGE SOCKET WITH 6ft 18/2 POWER LEAD

FINISHES:

- NATURAL COPPER
- ANTIQUÉ COPPER
- VERDE
- ANTIQUÉ RUST

LAMPS:

- 11 WATT MINI WEDGE BASE, AVAILABLE IN 7 & 18 WATTS
- 18 WATT MAXIMUM

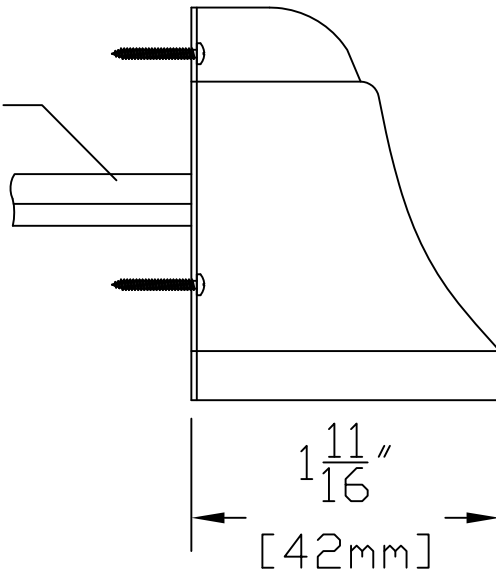
STANDARD MOUNTING:

- FLUSH MOUNT WITH 2 SCREWS

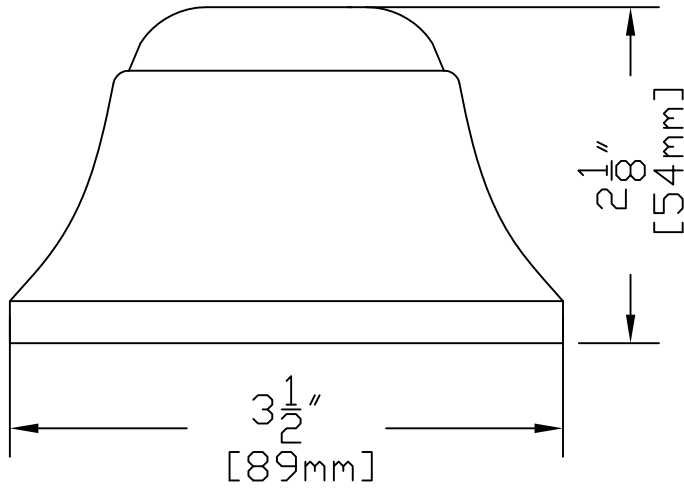
ACCESSORIES:

- 25ft & 50ft 16/2 LEADS AVAILABLE

18/2 POWER WIRE



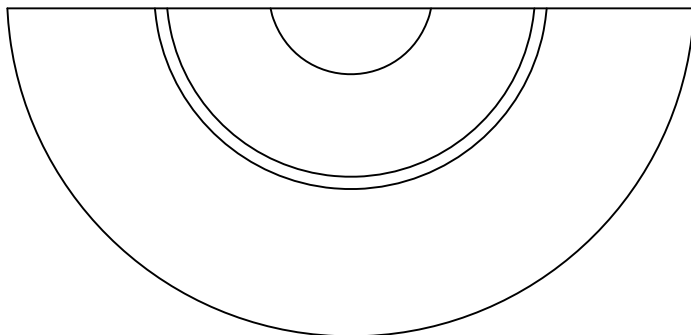
SIDE VIEW WITH DIMENSIONS



FRONT VIEW WITH DIMENSIONS



SHOWN IN ANTIQUE FINISH



TOP VIEW



CopperMoon DECK, SURFACE & STEP
CM.825

901 3rd AVE.
WEST POINT, GA, 31833
1.800.727.5483
www.coppermoon.com

SIZE A	DRAWN BY: CRAIG SANDERS	CLASSIFICATION: DECK, SURFACE & STEP	REV 1 DATE: JAN. 12, 2015
-----------	----------------------------	---	------------------------------