

# CHLORIDE

by  Signify

## Exit/Emergency

Synthesis CH2 series

Single Phase Uninterruptible  
Power Supply, 2000VA



Project: \_\_\_\_\_  
 Location: \_\_\_\_\_  
 Cat.No: \_\_\_\_\_  
 Type: \_\_\_\_\_  
 Lamps: \_\_\_\_\_ Qty: \_\_\_\_\_  
 Notes: \_\_\_\_\_

### Example: CH2AA2.0S001X

CH2		2.0						
Series	Voltage Config. Input/Output	Unit Size	Battery Time	NoI	Qty Ckt Breakers	Qty Nol Ckt Breakers	Options	
CH2 - Chloride Synthesis CH2 UPS System for Emergency Lighting Applications	AA - 120/120 JJ - 277/277 JA - 277/120	2.0 - 2000 VA	S - 90 min X - 10 min Y - 20 min	0 - No 1 - Yes w/ TDT	01X - 1 OCB* 02X - 2 OCB 03X - 3 OCB 04X - 4 OCB . . 12X - 12 OCB . 01A - 1 OCBA 02A - 2 OCBA 03A - 3 OCBA . . 06A - 6 OCBA (maximum 12 pole spaces)	A - 1 B - 2 C - 3 D - 4 E - 5 F - 6 G - 7 H - 8 I - 9 J - 10 K - 11 L - 12 Z - None	FSU - Start-Up Service EXT - Extended Warranty <sup>1</sup>	

#### Footnotes

<sup>1</sup> EXT option only available with FSU.  
<sup>2</sup> Optimum operating temperature of batteries is 77°F (25°C).  
 Temperatures above 85°F (30°C) adversely impact battery life.

\* 1 OCB is standard, substitute corresponding designator for optional configurations.

#### unit check list

Catalog No: \_\_\_\_\_

VA Rating: 1500

Battery Type: Sealed Lead Calcium

Operating Time: 90/20/10 Min.

Utility Input: \_\_\_\_\_ VAC, Single Phase

Output Circuit Breakers:

Qty: _____	AC Volts: _____	Amps: _____	Normally ON <input type="checkbox"/>	Normally OFF <input type="checkbox"/>	Trip Alarm YES <input type="checkbox"/>	NO <input type="checkbox"/>
Qty: _____	AC Volts: _____	Amps: _____	ON <input type="checkbox"/>	OFF <input type="checkbox"/>	YES <input type="checkbox"/>	NO <input type="checkbox"/>
Qty: _____	AC Volts: _____	Amps: _____	ON <input type="checkbox"/>	OFF <input type="checkbox"/>	YES <input type="checkbox"/>	NO <input type="checkbox"/>
Qty: _____	AC Volts: _____	Amps: _____	ON <input type="checkbox"/>	OFF <input type="checkbox"/>	YES <input type="checkbox"/>	NO <input type="checkbox"/>

Options:  FSU  EXT

Remarks: \_\_\_\_\_



# CH2 Synthesis Single Phase Uninterruptible Power Supply

2000 VA

---

## codes and standards

- UL 924 listed

## construction

- Free standing, NEMA 1 enclosure with lockable control access panel.
- Double conversion, no interruption.
- Solid state pulse width modulated inverter.
- Internal inverter bypass switch.
- Standard, UL 924 compliant, 90 minute battery back up.
- UL 924 auxiliary equipment 10 and 20 minute back up available.
- Microprocessor control and diagnostic system.
- LED array system status panel
- Fault annunciating audible alarm.
- Current limiting start sequence.
- Single output circuit breaker is standard, additional circuit breakers (OCB) or circuit breakers with trip alarms (OCBA) can be added.
- Optional normally off load (NOL) energizes only during power outage, is user programmable from 0-15 minutes.
- Seismic anchoring compatible.
- Operating temperature range 32°F (0°C) to 104°F (40°C)2.
- Audible noise less than 50 dB at 3 ft on "A" weighted scale.
- Automatic low battery voltage disconnect.

## application

- The solid state pulse width modulated (PWM) inverter offers enhanced load compatibility.
- It operates incandescent, magnetic and electronic ballast fluorescent, high power factor compact fluorescent and high intensity discharge (HID) luminaries.
- Provides conditioned, uninterruptible power for other types of critical loads.
- Consult factory for non-lighting load applications.

## electronics - input

- Input power factor correcting to 0.97.
- Frequency range 60 Hz,  $\pm 2.5$  Hz.
- Input harmonic current distortion < 5% THD.
- IEEE 587 ANSI C 62.41-1980 surge suppression.

## electronics - output

- Sine wave output.
- Voltage regulation  $\pm 2\%$ .
- Frequency regulation - synchronized to utility, free running 60 Hz,  $\pm 0.5\%$ .
- Output voltage distortion maximum 3% THD with linear load.
- Load power factor capability 0.7 lead to 0.7 lag.
- Overload capability 150% for 1 minute with utility power source present.

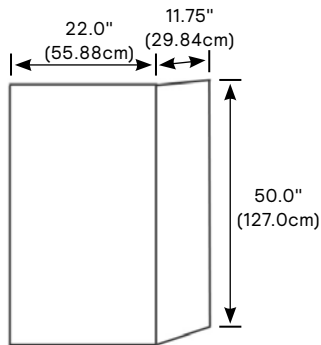
## warranty

- Standard warranty: electronics warranty is 12 months from date of shipment. Battery warranty is 1 year full, 9 years pro-rata from date of shipment.
- Extended warranty available: consult factory for extended warranty and service option.

# CH2 Synthesis Single Phase Uninterruptible Power Supply

2000 VA

## dimensions



## system input/output

System Rating	2000 VA
Input Voltage (V) : Input Current	120 : 26.4 277 : 11.9
Output Voltage (V) : Output Current	120 : 16.6 277 : 7.2
OCB Pole Spaces Available	
Without Trip Alarm	12
With Trip Alarm	6
Heat Rejection (btu/hr)	955
Weights (lbs)	
120 V with 90 min battery	534
277 V with 90 min battery	594

## system one-line diagram

